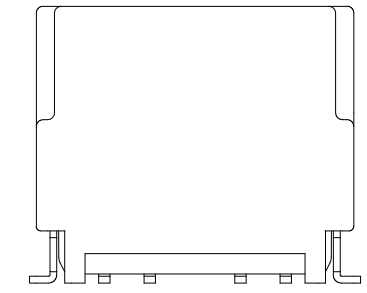
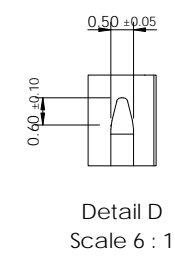
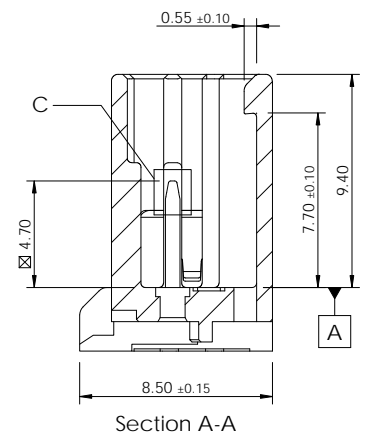
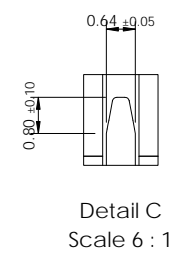
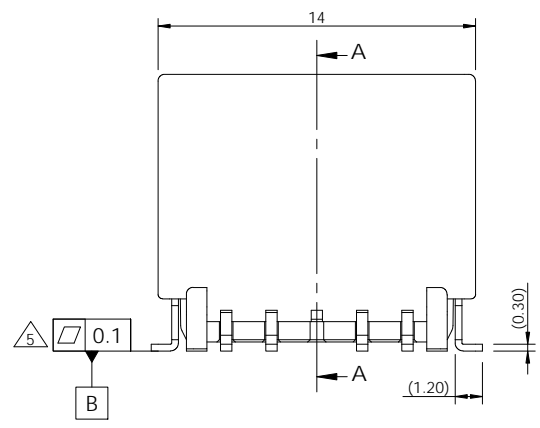
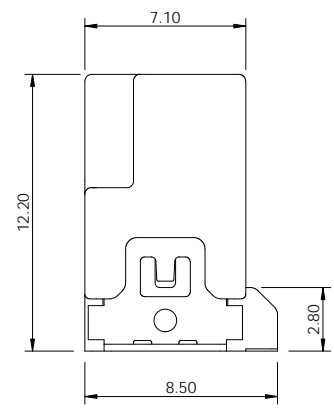
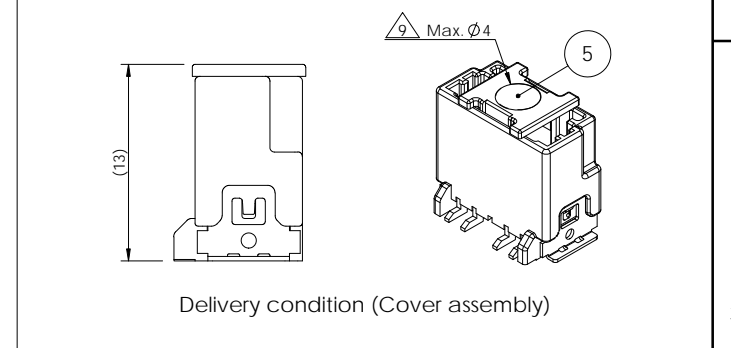
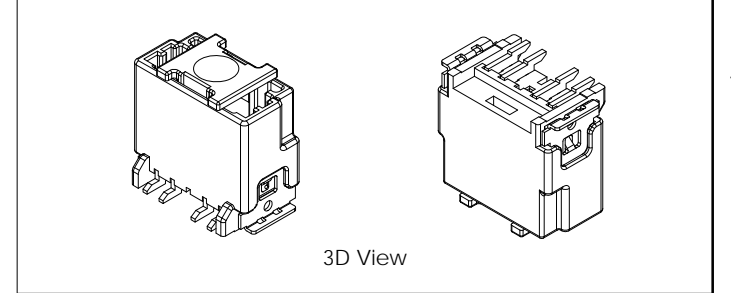
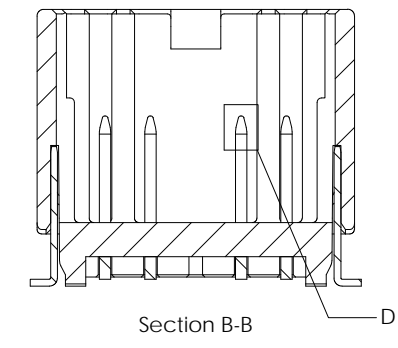
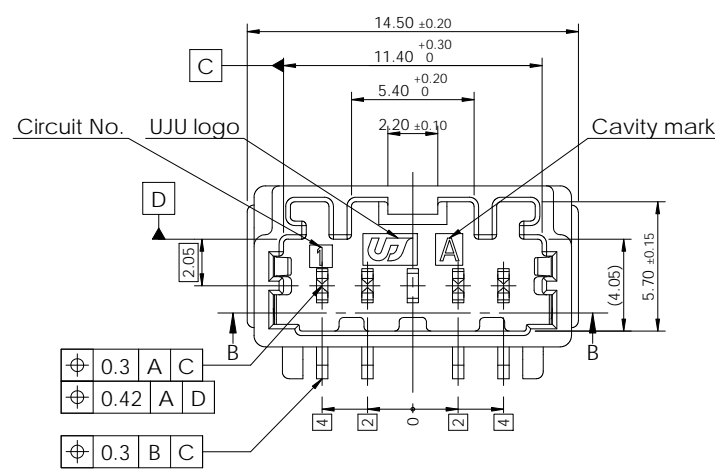
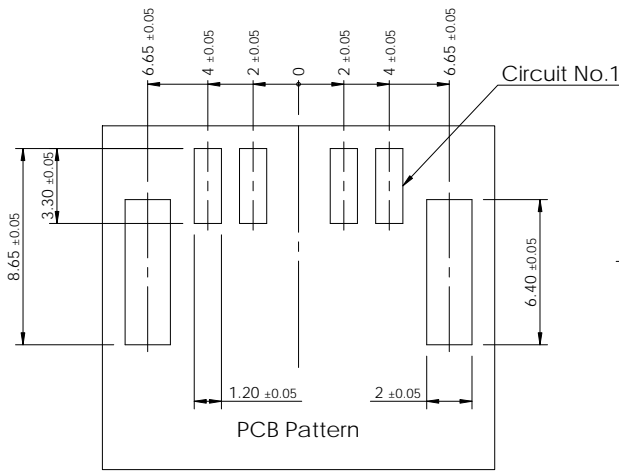
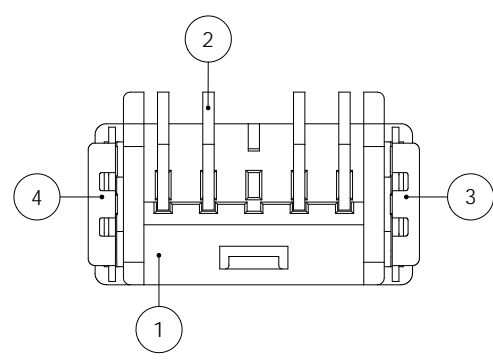
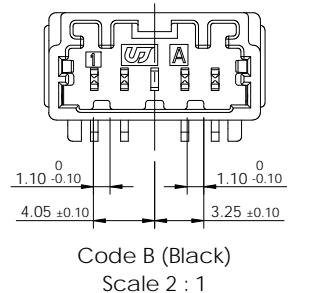
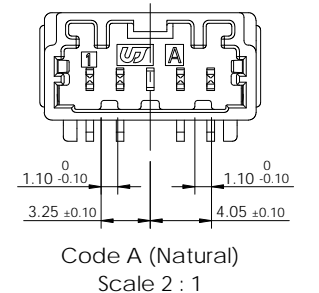


REV	REVISION RECORD	DATE	DRWN	CHKD	APVD
A	RELEASED (RD-2022-113)	05 SEP '22	JK	SJ	CY



Description	Part No.	Code
020_D_C_SMT_4M_V_ASSY_BL_Au_G	-	D
020_D_C_SMT_4M_V_ASSY_BR_Au_G	-	C
020_D_C_SMT_4M_V_ASSY_BK_Au_G	KH2110134-21	B
020_D_C_SMT_4M_V_ASSY_NR_Au_G	KH2110134-10	A



Code C (Brown)  
Scale 2 : 1

On request,  
development is scheduled.

Code D (Blue)  
Scale 2 : 1

On request,  
development is scheduled.

-Note-

- General tolerance : Refer to DIN 16742 TG5 specification.
- Burr Max.0.3
- No crack
- All letters shall be clear and legible.
- Measuring the demensions of Tab TML and Solder Peg.
- Finish Tab TML and Solder Peg
  - Sn plating 2.5~4.0µm (matte) over Ni 1.0~2.0µm
  - Au plating Min. 0.38µm
- Packing : Emboss tape
- Flammability : UL94-HB
- Vacuum grip area free of burr and factor pins, Max.Ø4.0
- Matching part
  - KH1910015 (020\_D\_C\_4F\_ASSY\_G)

No.	Description	Material	Finish / Color	Q`ty
5	020_D_SMT_Cover_BK	LCP (E471i)	Black	1 1 1 1
4	020 SMT Solder Peg VTC-L	Copper alloy	Post-Sn	1 1 1 1
3	020 SMT Solder Peg VTC-R	Copper alloy	Post-Sn	1 1 1 1
2	020 SMT Tab TML VTC	Copper alloy	Post-Au/Sn	4 4 4 4
1	020_D_SMT_5M_V_HSG_BL	PA9T-GF30	Blue	1 - - -
	020_D_SMT_5M_V_HSG_BR	PA9T-GF30	Brown	- 1 - -
	020_D_SMT_5M_V_HSG_BK	PA9T-GF30	Black	- - 1 -
	020_D_SMT_5M_V_HSG_NR	PA9T-GF30	Natural	- - - 1

TOLERANCES UNLESS OTHERWISE SPECIFIED	UNIT MM
0 ±	THIRD ANGLE PROJECTION
0.0 ±	
0.00 ±	
0.000 ±	
0.0000 ±	
ANGLES ±	
PRODUCT SPEC	APPLICATION SPEC

DRWN JK. HWANG	NAME <b>UJU Electronics co.,Ltd.</b>
CHKD SJ. LEE	
APVD CY. CHOI	
MATERIAL SEE TABLE	DRAWING NO KH2110134
FINISH/COLOR SEE TABLE	
WEIGHT	CUSTOMER DRAWING
LOC RESTRICTED TO	SIZE A3
SCALE 3:1	SHEET 1 of 1
REV A	