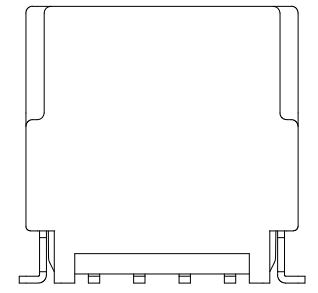
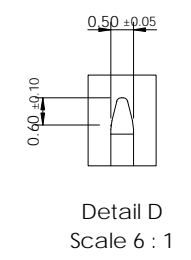
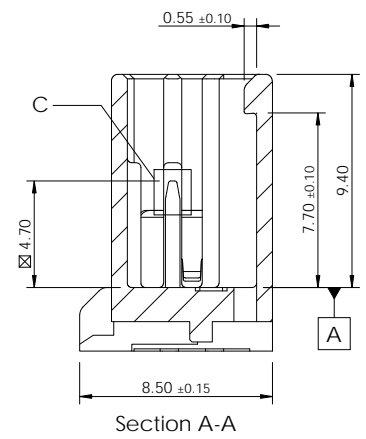
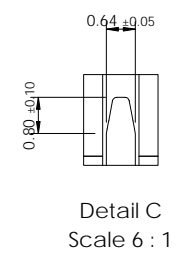
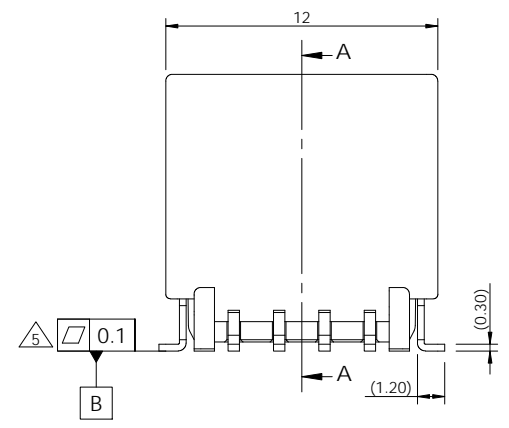
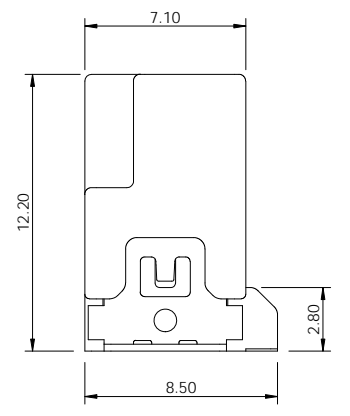
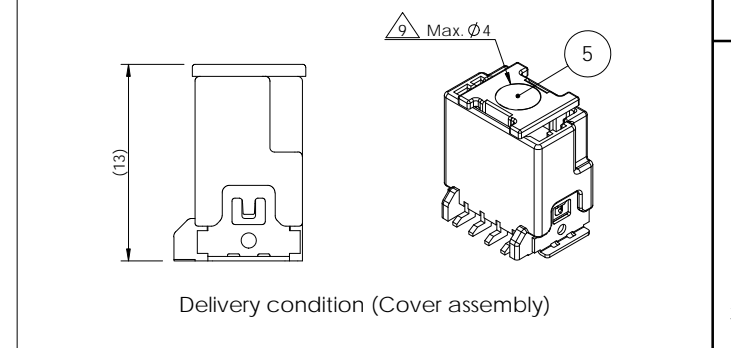
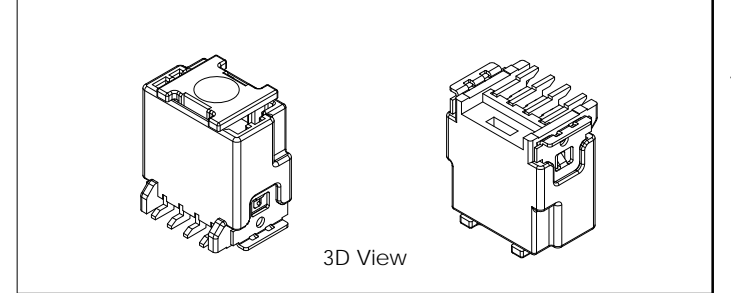
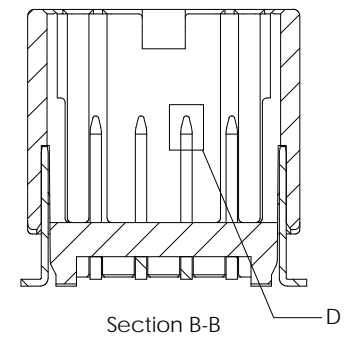
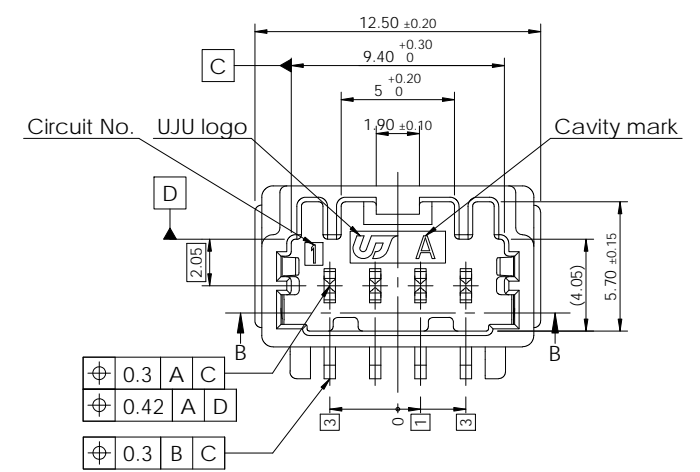
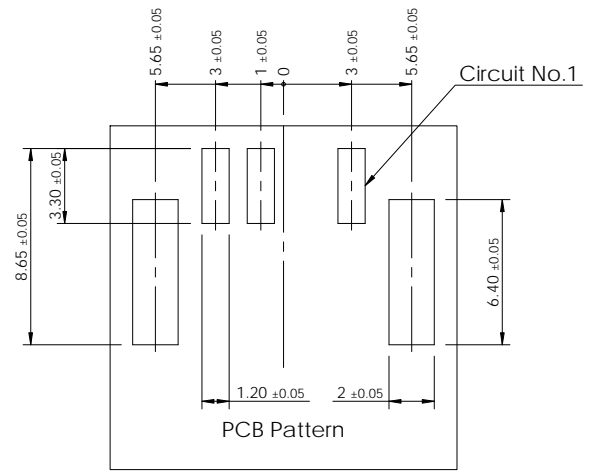
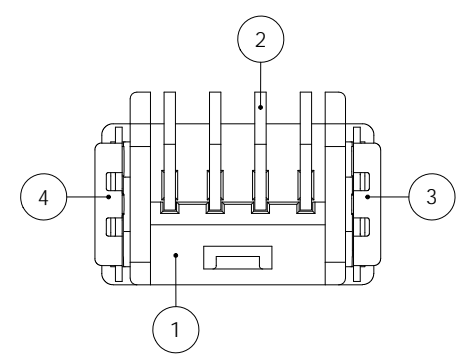
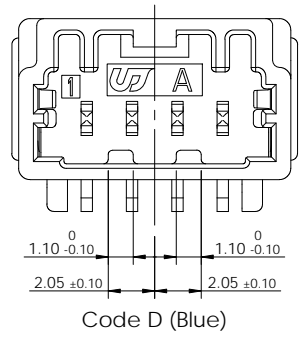
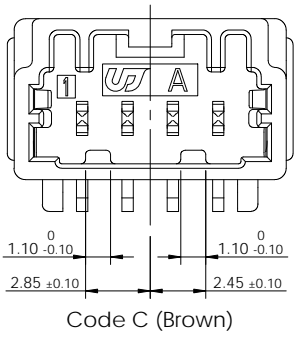
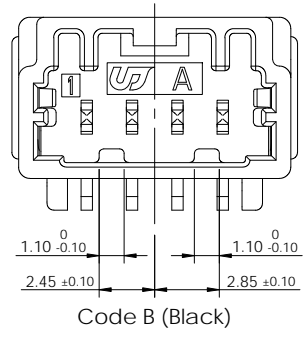
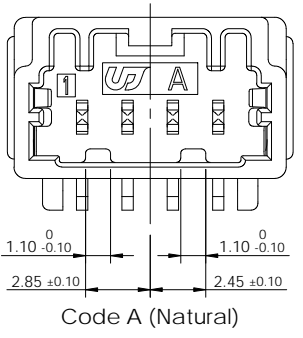


REV	REVISION RECORD	DATE	DRWN	CHKD	APVD
A	RELEASED (RD-2022-113)	05 SEP '22	JK	SJ	CY



Code	Part No.	Description
D	KH2110133-83	020_D_C_SMT_3M_V_ASSY_BL_Au_G
C	KH2110133-42	020_D_C_SMT_3M_V_ASSY_BR_Au_G
B	KH2110133-21	020_D_C_SMT_3M_V_ASSY_BK_Au_G
A	KH2110133-10	020_D_C_SMT_3M_V_ASSY_NR_Au_G



-Note-

- General tolerance : Refer to DIN 16742 TG5 specification.
- Burr Max.0.3
- No crack
- All letters shall be clear and legible.
- Measuring the demensions of Tab TML and Solder Peg.
- Finish Tab TML and Solder Peg
  - Sn plating 2.5~4.0μm (matte) over Ni 1.0~2.0μm
  - Au plating Min. 0.38μm
- Packing : Emboss tape
- Flammability : UL94-HB
- Vacuum grip area free of burr and factor pins, Max.Ø4.0
- Matching part
  - KH1910012 (020\_D\_C\_3F\_ASSY\_G)

No.	Description	Material	Finish / Color	Q'ty
5	020_D_SMT_Cover_BK	LCP (E471i)	Black	1 1 1 1
4	020 SMT Solder Peg VTC-L	Copper alloy	Post-Sn	1 1 1 1
3	020 SMT Solder Peg VTC-R	Copper alloy	Post-Sn	1 1 1 1
2	020 SMT Tab TML VTC	Copper alloy	Post-Au/Sn	3 3 3 3
1	020_D_SMT_4M_V_HSG_BL	PA9T-GF30	Blue	1 - - -
	020_D_SMT_4M_V_HSG_BR	PA9T-GF30	Brown	- 1 - -
	020_D_SMT_4M_V_HSG_BK	PA9T-GF30	Black	- - 1 -
	020_D_SMT_4M_V_HSG_NR	PA9T-GF30	Natural	- - - 1

TOLERANCES UNLESS OTHERWISE SPECIFIED	UNIT MM
0 ±	THIRD ANGLE PROJECTION
0.0 ±	ANGLES
0.00 ±	PRODUCT SPEC
0.000 ±	APPLICATION SPEC
0.0000 ±	

DRWN JK. HWANG  
CHKD SJ. LEE  
APVD CY. CHOI

NAME  
**020\_D\_C\_SMT\_3M\_V\_ASSY\_Au\_G**

CUSTOMER DRAWING  
KH2110133

LOC RESTRICTED TO SIZE A3 SCALE 3:1 SHEET 1 of 1 REV A

**UJU** (주)우주 일렉트로닉스  
UJU Electronics co.,Ltd.