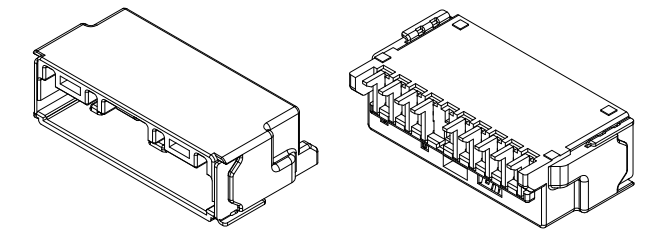
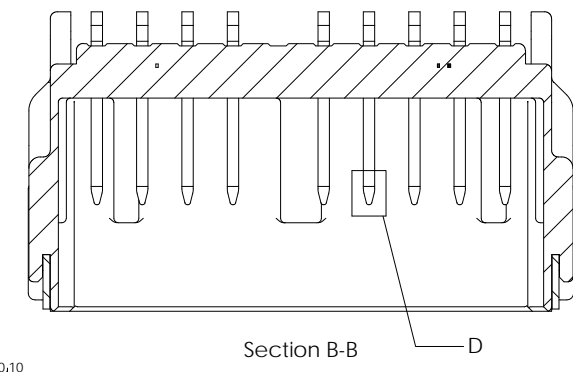
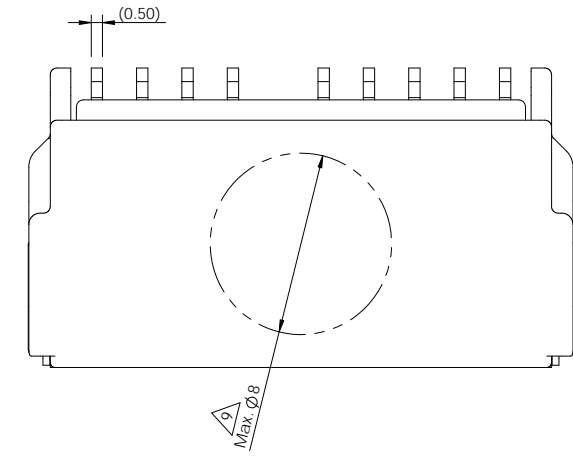
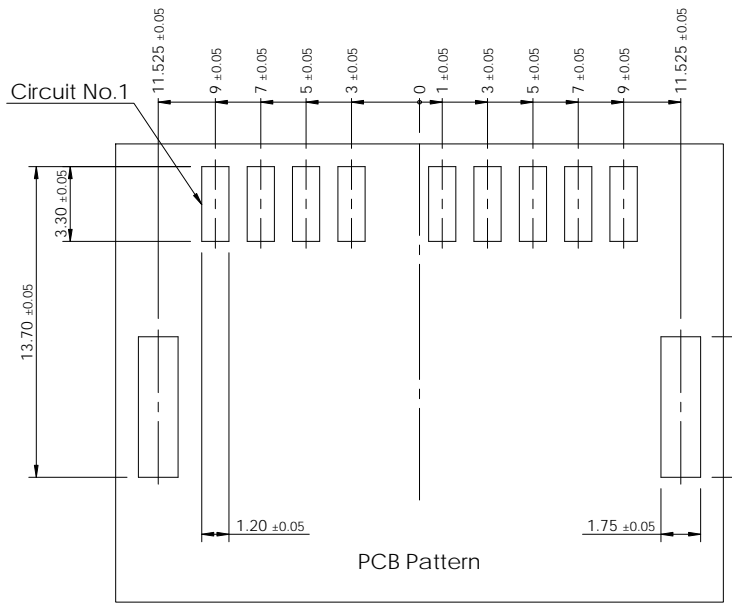
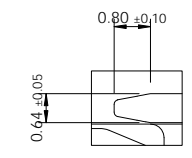


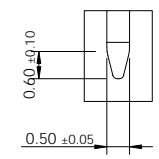
REV	REVISION RECORD	DATE	DRWN	CHKD	APVD
A	RELEASED (RD-2022-113)	05 SEP '22	JK	SJ	CY



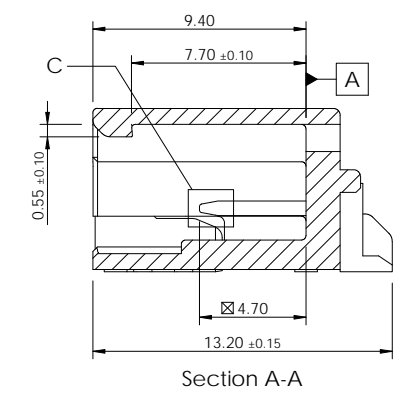
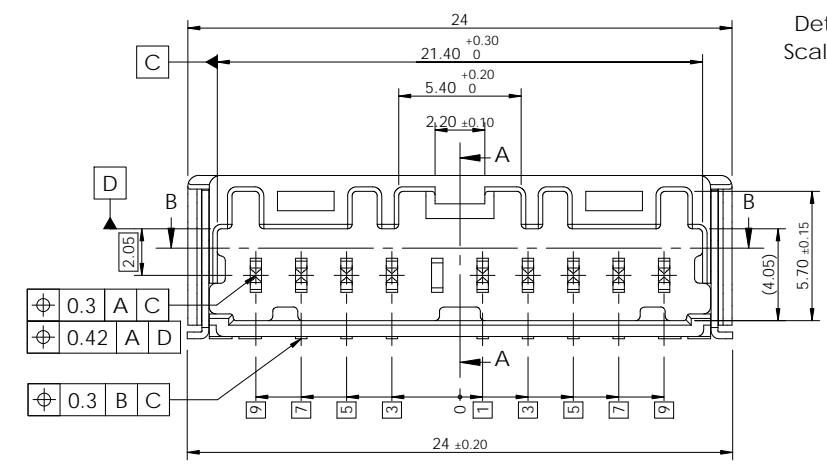
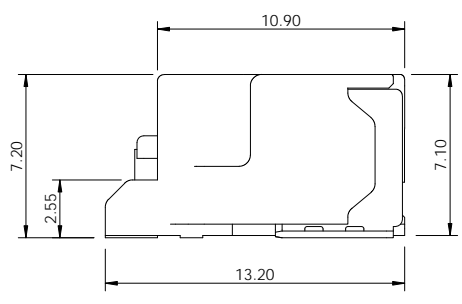
3D View



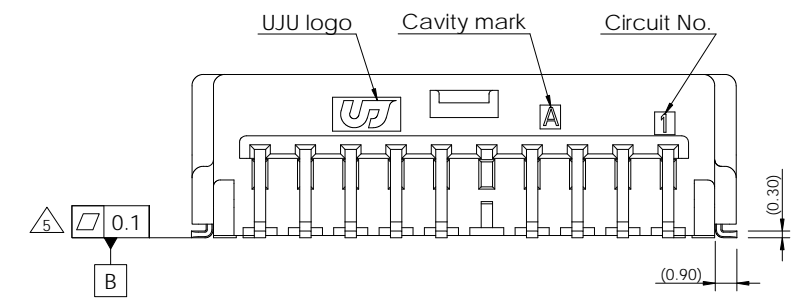
Detail C Scale 6 : 1



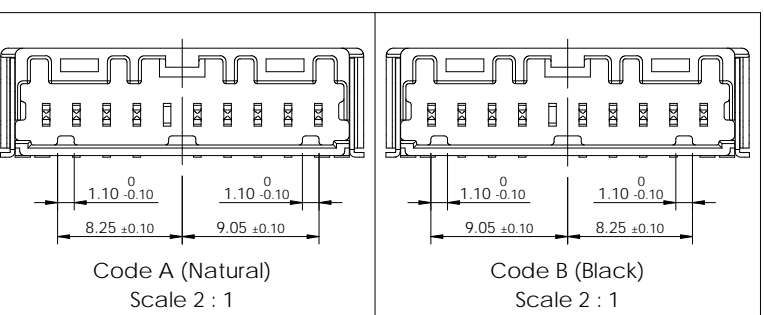
Detail D Scale 6 : 1



Section A-A

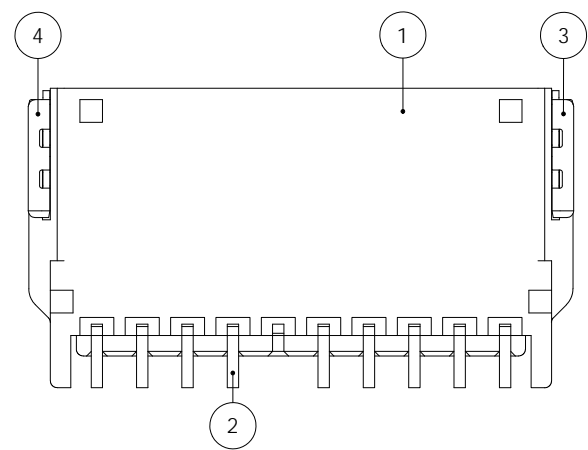


Code	Part No.	Description
D		020_D_C_SMT_9M_H_ASSY_BL_Au_G
C		020_D_C_SMT_9M_H_ASSY_BR_Au_G
B		020_D_C_SMT_9M_H_ASSY_BK_Au_G
A		020_D_C_SMT_9M_H_ASSY_NR_Au_G



Code A (Natural)
Scale 2 : 1

Code B (Black)
Scale 2 : 1



Code C (Brown)
Scale 2 : 1

Code D (Blue)
Scale 2 : 1

-Note-

- General tolerance : Refer to DIN 16742 TG5 specification.
- Burr Max.0.3
- No crack
- All letters shall be clear and legible.
- Measuring the demensions of Tab TML and Solder Peg.
- Finish Tab TML and Solder Peg
 - Sn plating 2.5~4.0µm (matte) over Ni 1.0~2.0µm
 - Au plating Min. 0.38µm
- Packing : Emboss tape
- Flammability : UL94-HB
- Vacuum grip area free of burr and factor pins, Max.Ø8.0
- Matching part
 - KH1910023 (020_D_C_9F_ASSY_G)

No.	Description	Material	Finish / Color	Q'ty
4	020 SMT Solder Peg HZT-L	Copper alloy	Post-Sn	1 1 1 1
3	020 SMT Solder Peg HZT-R	Copper alloy	Post-Sn	1 1 1 1
2	020 SMT Tab TML HZT	Copper alloy	Post-Au/Sn	9 9 9 9
1	020_D_SMT_10M_H_HSG_BL	PA9T-GF30	Blue	1 - - -
	020_D_SMT_10M_H_HSG_BR	PA9T-GF30	Brown	- 1 - -
	020_D_SMT_10M_H_HSG_BK	PA9T-GF30	Black	- - 1 -
	020_D_SMT_10M_H_HSG_NR	PA9T-GF30	Natural	- - - 1

On request, development is scheduled.

On request, development is scheduled.

TOLERANCES UNLESS OTHERWISE SPECIFIED	UNIT MM
0 ±	THD ANGLE PROJECTION
0.0 ±	0
0.00 ±	45
0.000 ±	90
0.0000 ±	135
ANGLES	
PRODUCT SPEC	APPLICATION SPEC

DRWN JK. HWANG	NAME 020_D_C_SMT_9M_H_ASSY_Au_G	
CHKD SJ. LEE	CUSTOMER DRAWING	
APVD CY. CHOI	DRAWING NO KH2110131	
MATERIAL SEE TABLE	LOC	RESTRICTED TO
FINISH/COLOR SEE TABLE	SIZE A3	SCALE 3:1
WEIGHT	SHEET 1 of 1	REV A