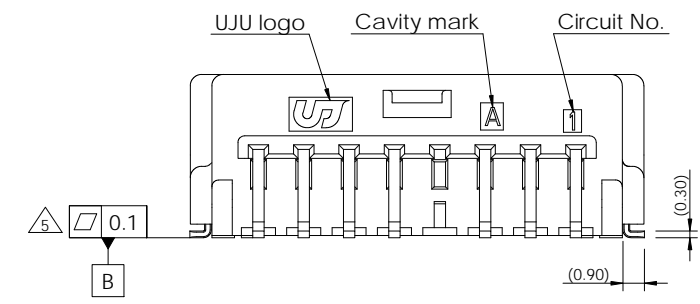
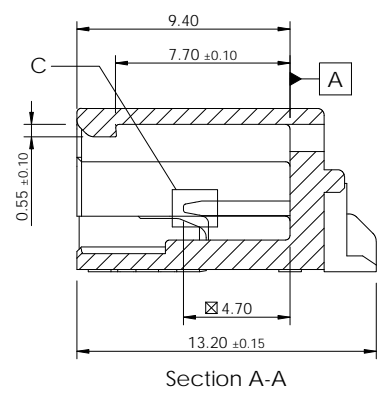
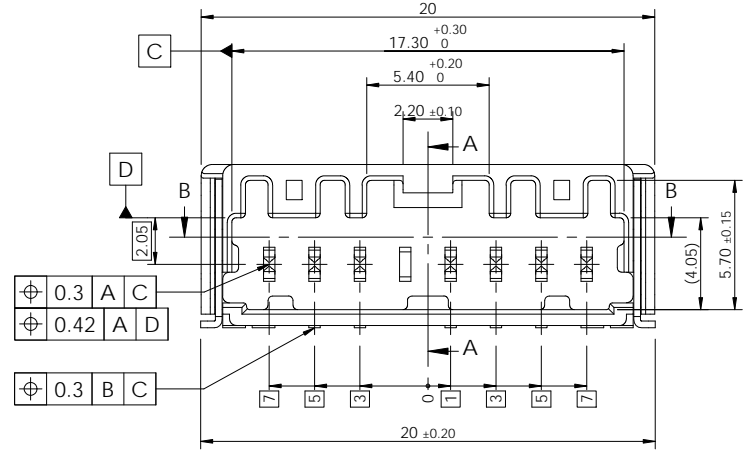
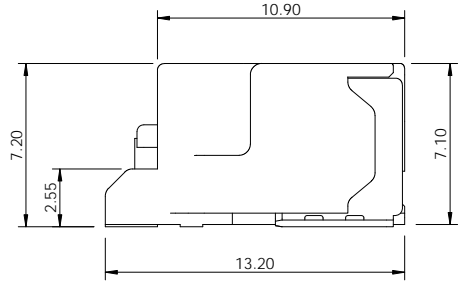
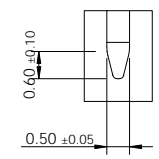
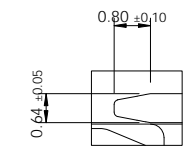
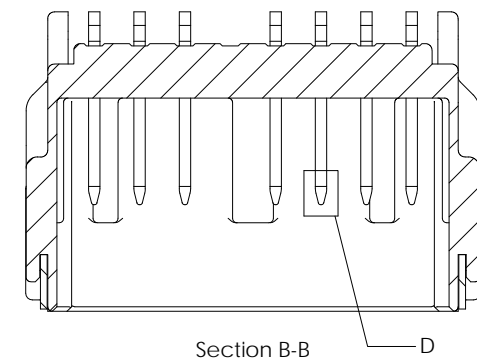
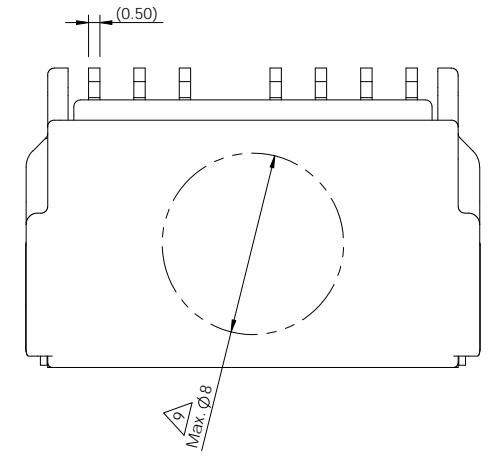
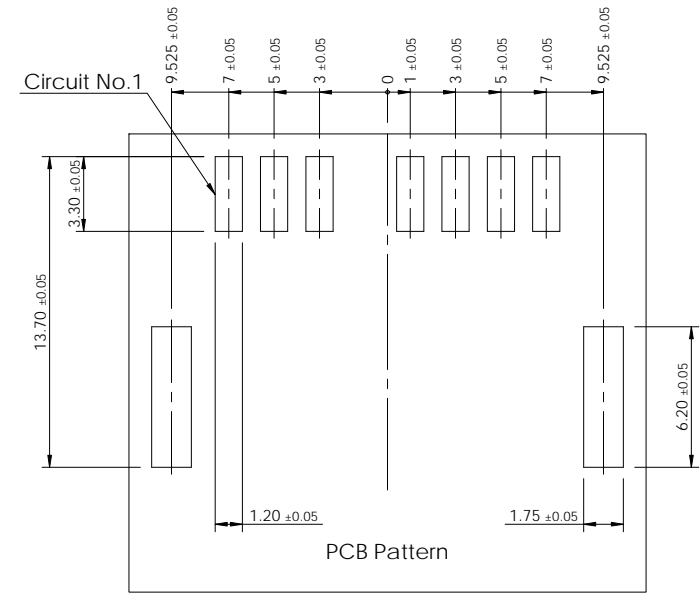
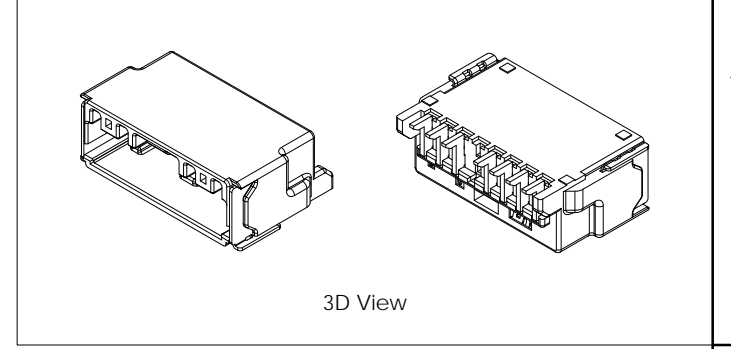
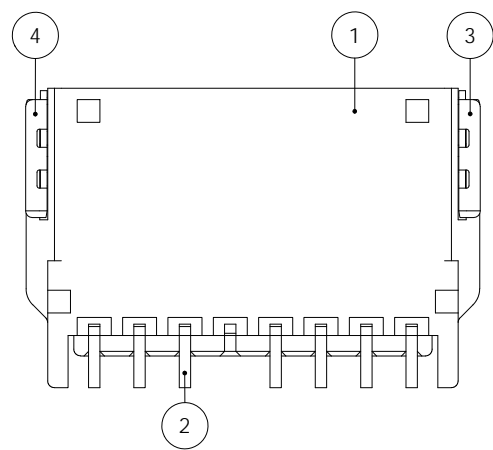


| REV | REVISION RECORD | DATE | DRWN | CHKD | APVD |
|-----|------------------------|------------|------|------|------|
| A | RELEASED (RD-2022-113) | 05 SEP '22 | JK | SJ | CY |



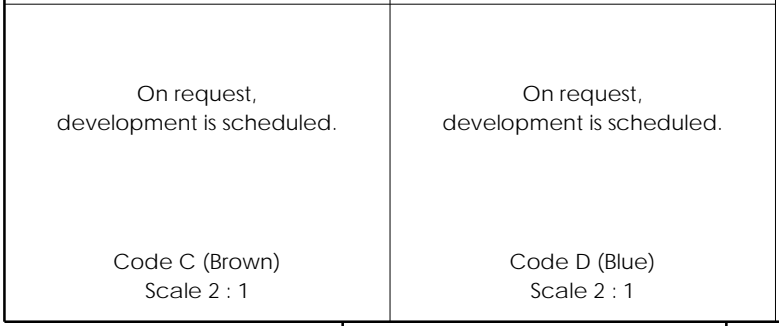
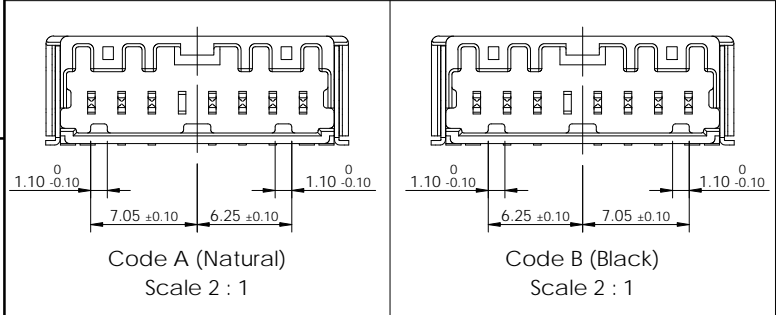
| Code | Part No. | Description |
|------|----------|-------------------------------|
| D | | 020_D_C_SMT_7M_H_ASSY_BL_Au_G |
| C | | 020_D_C_SMT_7M_H_ASSY_BR_Au_G |
| B | | 020_D_C_SMT_7M_H_ASSY_BK_Au_G |
| A | | 020_D_C_SMT_7M_H_ASSY_NR_Au_G |



-Note-

- General tolerance : Refer to DIN 16742 TG5 specification.
- Burr Max.0.3
- No crack
- All letters shall be clear and legible.
- Measuring the demensions of Tab TML and Solder Peg.
- Finish Tab TML and Solder Peg
 - Sn plating 2.5~4.0µm (matte) over Ni 1.0~2.0µm
 - Au plating Min. 0.38µm
- Packing : Emboss tape
- Flammability : UL94-HB
- Vacum grip area free of burr and fector pins, Max.Ø8.0
- Matching part
 - KH1910021 (020_D_C_7F_ASSY_G)

| No. | Description | Material | Finish / Color | Q'ty |
|-----|--------------------------|--------------|----------------|---------|
| 4 | 020 SMT Solder Peg HZT-L | Copper alloy | Post-Sn | 1 1 1 1 |
| 3 | 020 SMT Solder Peg HZT-R | Copper alloy | Post-Sn | 1 1 1 1 |
| 2 | 020 SMT Tab TML HZT | Copper alloy | Post-Au/Sn | 7 7 7 7 |
| 1 | 020_D_SMT_8M_H_HSG_BL | PA9T-GF30 | Blue | 1 - - - |
| | 020_D_SMT_8M_H_HSG_BR | PA9T-GF30 | Brown | - 1 - - |
| | 020_D_SMT_8M_H_HSG_BK | PA9T-GF30 | Black | - - 1 - |
| | 020_D_SMT_8M_H_HSG_NR | PA9T-GF30 | Natural | - - - 1 |



On request,
development is scheduled.

On request,
development is scheduled.

| | |
|---------------------------------------|----------------------|
| TOLERANCES UNLESS OTHERWISE SPECIFIED | UNIT MM |
| 0 ± | THD ANGLE PROJECTION |
| 0.0 ± | ANGLES |
| 0.00 ± | PRODUCT SPEC |
| 0.000 ± | APPLICATION SPEC |
| 0.0000 ± | |

| | | |
|------------------------|--------------|---------------|
| DRWN JK. HWANG | CHKD SJ. LEE | APVD CY. CHOI |
| MATERIAL SEE TABLE | | |
| FINISH/COLOR SEE TABLE | | |
| WEIGHT | | |

| | | | |
|------------------------------------|-------------------|-------------------------|--------|
| NAME 020_D_C_SMT_7M_H_ASSY_Au_G | | DRAWING NO KH2110130 | |
| CUSTOMER DRAWING | LOC RESTRICTED TO | SIZE SCALE | SHEET |
| | | A3 3:1 | 1 of 1 |
| | | REV | A |