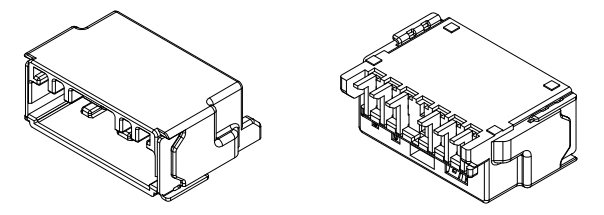
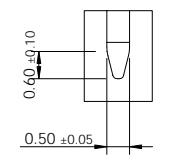
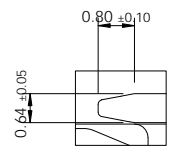
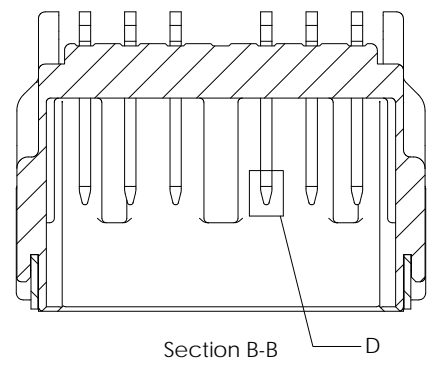
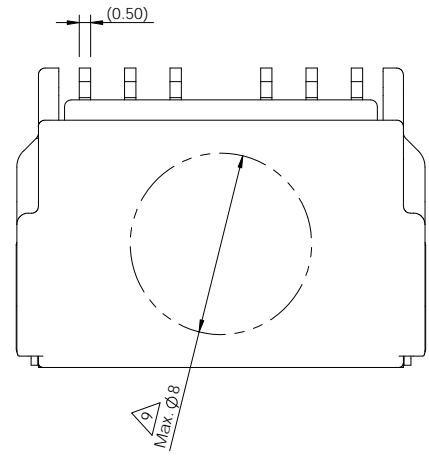
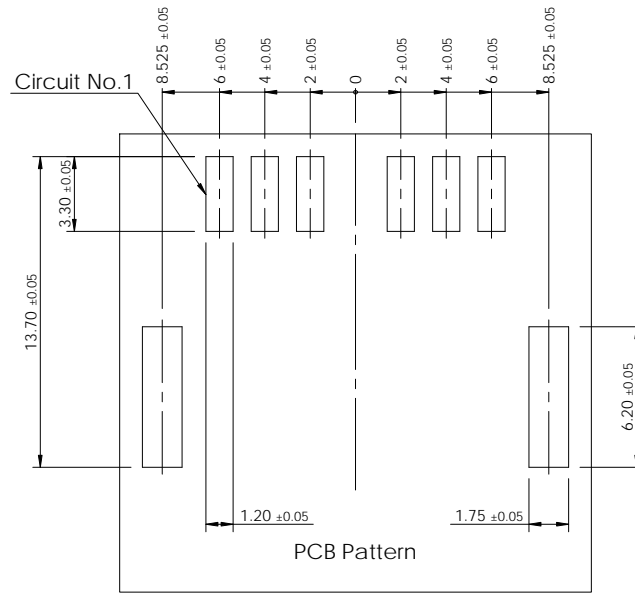
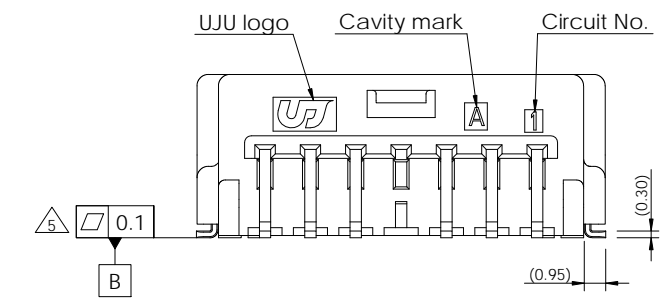
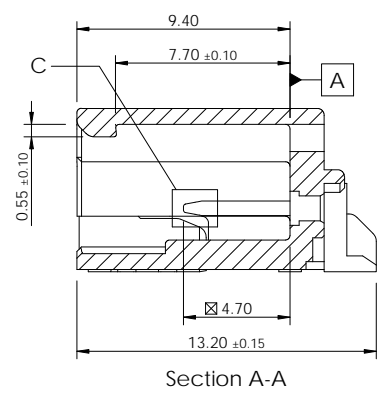
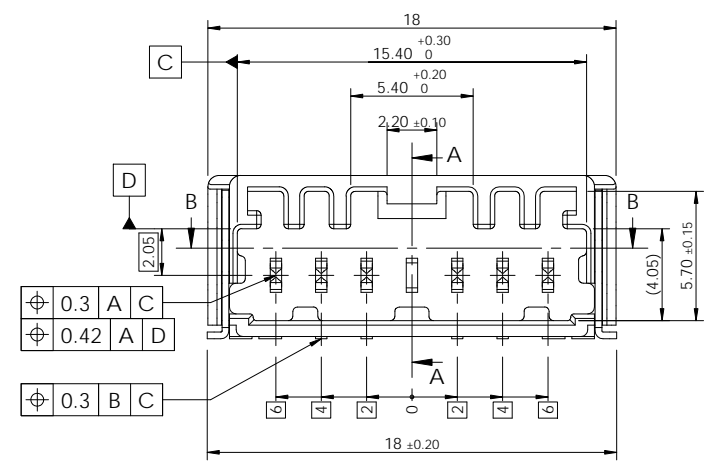
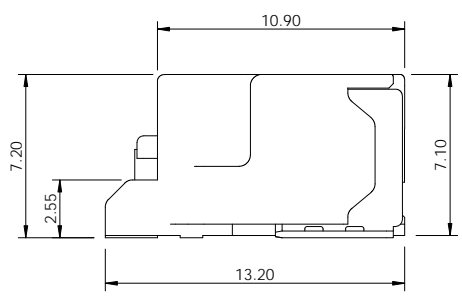


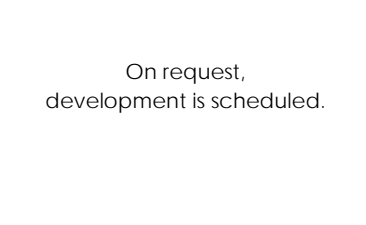
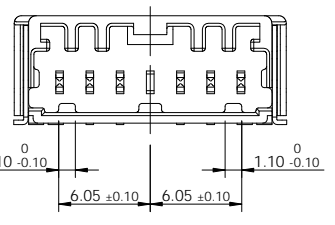
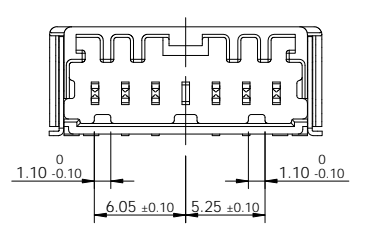
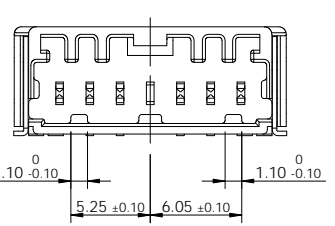
REV	REVISION RECORD	DATE	DRWN	CHKD	APVD
A	RELEASED (RD-2022-113)	05 SEP '22	JK	SJ	CY



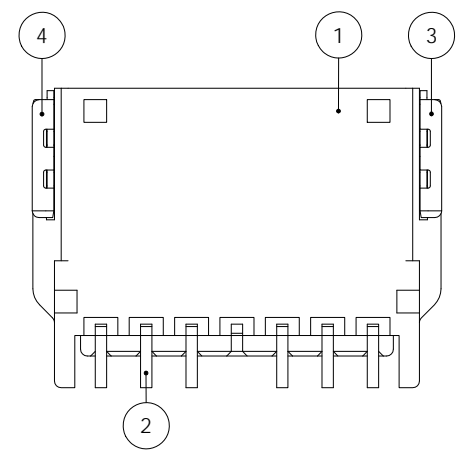
3D View



Code	Part No.	Description
D	-	020_D_C_SMT_6M_H_ASSY_BL_Au_G
C	KH2110129-42	020_D_C_SMT_6M_H_ASSY_BR_Au_G
B	KH2110129-21	020_D_C_SMT_6M_H_ASSY_BK_Au_G
A	KH2110129-10	020_D_C_SMT_6M_H_ASSY_NR_Au_G



On request, development is scheduled.



-Note-

- General tolerance : Refer to DIN 16742 TG5 specification.
- Burr Max.0.3
- No crack
- All letters shall be clear and legible.
- Measuring the demensions of Tab TML and Solder Peg.
- Finish Tab TML and Solder Peg
  - Sn plating 2.5~4.0µm (matte) over Ni 1.0~2.0µm
  - Au plating Min. 0.38µm
- Packing : Emboss tape
- Flammability : UL94-HB
- Vacum grip area free of burr and fector pins, Max.Ø8.0
- Matching part
  - KH1910019 (020\_D\_C\_6F\_ASSY\_G)

No.	Description	Material	Finish / Color	Q'ty
4	020 SMT Solder Peg HZT-L	Copper alloy	Post-Sn	1 1 1 1
3	020 SMT Solder Peg HZT-R	Copper alloy	Post-Sn	1 1 1 1
2	020 SMT Tab TML HZT	Copper alloy	Post-Au/Sn	6 6 6 6
1	020_D_SMT_7M_H_HSG_BL	PA9T-GF30	Blue	1 - - -
	020_D_SMT_7M_H_HSG_BR	PA9T-GF30	Brown	- 1 - -
	020_D_SMT_7M_H_HSG_BK	PA9T-GF30	Black	- - 1 -
	020_D_SMT_7M_H_HSG_NR	PA9T-GF30	Natural	- - - 1

DRWN JK. HWANG CHKD KH. PARK APVD CY. CHOI		(주)우주일렉트로닉스 UJU Electronics co.,Ltd.	
UNIT MM THD ANGLE PROJECTION		NAME 020_D_C_SMT_6M_H_ASSY_Au_G	
TOLERANCES UNLESS OTHERWISE SPECIFIED 0 ± 0.0 ± 0.00 ± 0.000 ± 0.0000 ± ANGLES ± PRODUCT SPEC		MATERIAL SEE TABLE FINISH/COLOR SEE TABLE	
APPLICATION SPEC		CUSTOMER DRAWING KH2110129	
WEIGHT		DRAWING NO. KH2110129	
LOC RESTRICTED TO		SIZE A3 SCALE 3:1 SHEET 1 of 1 REV A	