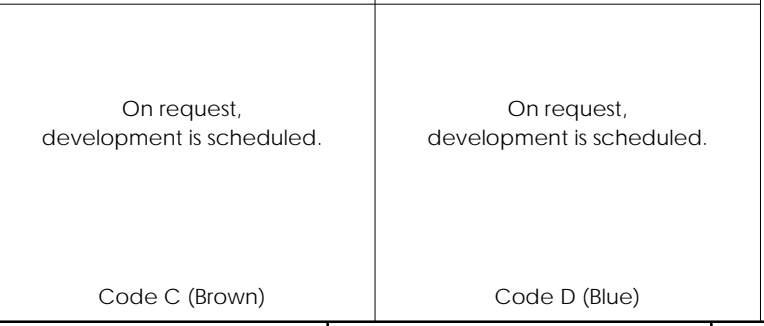
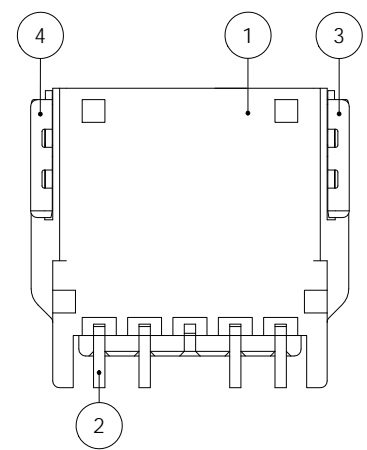
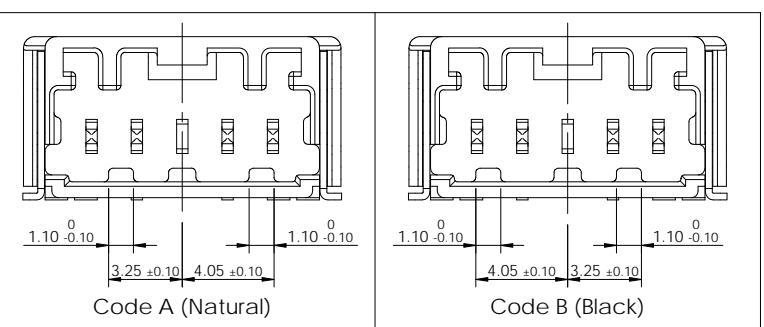
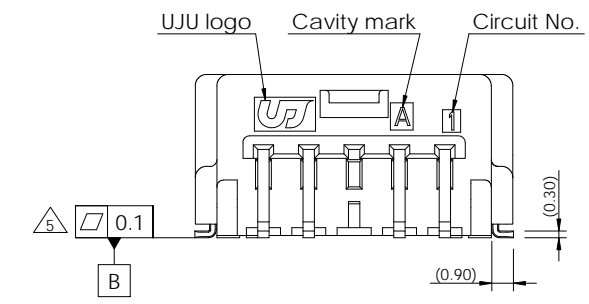
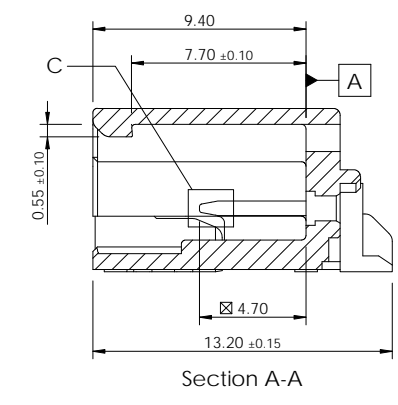
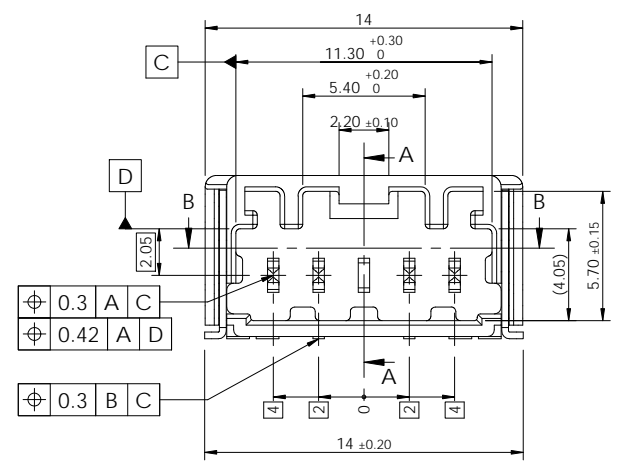
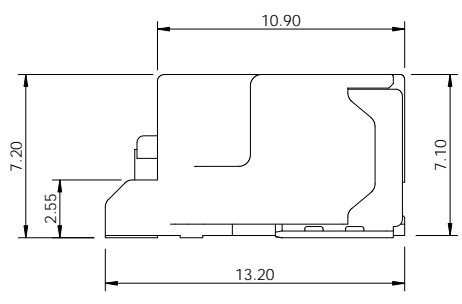
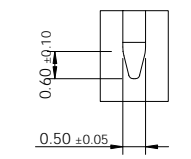
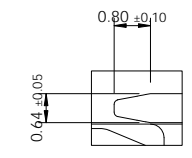
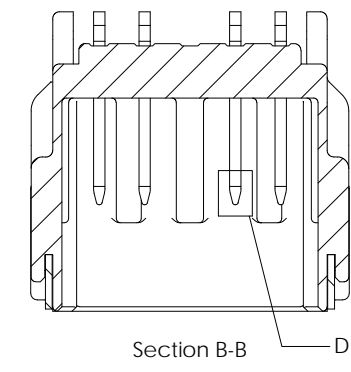
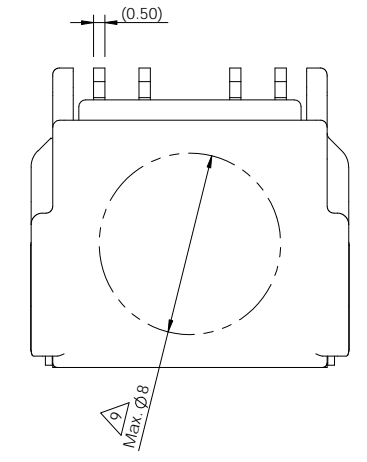
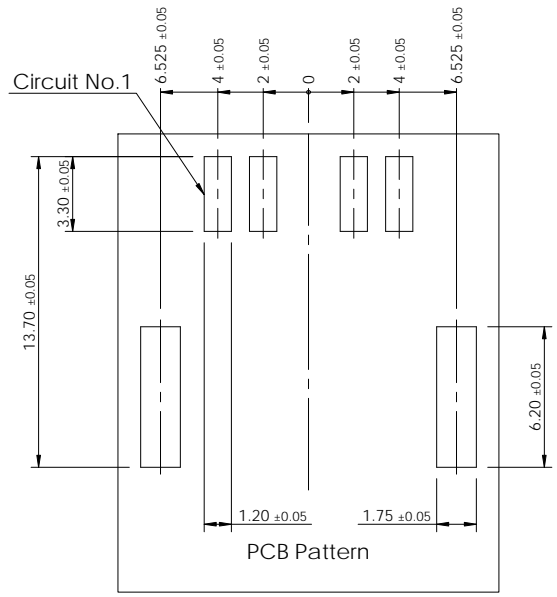
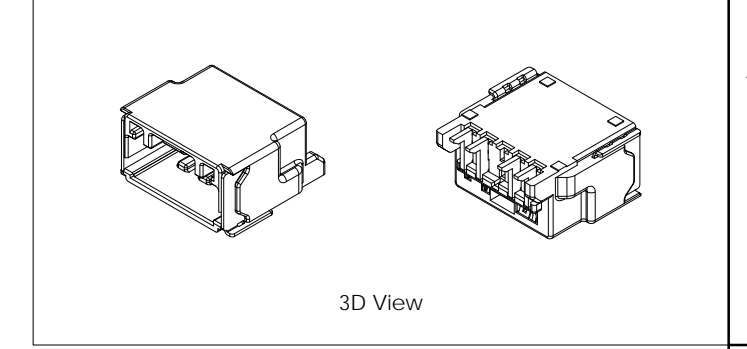


REV	REVISION RECORD	DATE	DRWN	CHKD	APVD
A	RELEASED (RD-2022-113)	05 SEP '22	JK	SJ	CY



-Note-

- General tolerance : Refer to DIN 16742 TG5 specification.
- Burr Max.0.3
- No crack
- All letters shall be clear and legible.
- Measuring the demensions of Tab TML and Solder Peg.
- Finish Tab TML and Solder Peg
- Sn plating 2.5~4.0µm (matte) over Ni 1.0~2.0µm
- Au plating Min. 0.38µm
- Packing : Emboss tape
- Flammability : UL94-HB
- Vacum grip area free of burr and fector pins, Max.Ø8.0
- Matching part
- KH1910015 (020_D_C_4F_ASSY_G)

No.	Description	Material	Finish / Color	Q'ty
4	020 SMT Solder Peg HZT-L	Copper alloy	Post-Sn	1 1 1 1
3	020 SMT Solder Peg HZT-R	Copper alloy	Post-Sn	1 1 1 1
2	020 SMT Tab TML HZT	Copper alloy	Post-Au/Sn	4 4 4 4
1	020_D_SMT_5M_H_HSG_BL	PA9T-GF30	Blue	1 - - -
	020_D_SMT_5M_H_HSG_BR	PA9T-GF30	Brown	- 1 - -
	020_D_SMT_5M_H_HSG_BK	PA9T-GF30	Black	- - 1 -
	020_D_SMT_5M_H_HSG_NR	PA9T-GF30	Natural	- - - 1

DRWN JK. HWANG	NAME UJU (주)우주 일렉트로닉스 UJU Electronics co.,Ltd.
CHKD SJ. LEE	
APVD CY. CHOI	DRAWING NO KH2110127
MATERIAL SEE TABLE	
FINISH/COLOR SEE TABLE	CUSTOMER DRAWING KH2110127
WEIGHT	
LOC RESTRICTED TO	SIZE A3
SCALE 3:1	SHEET 1 of 1
REV A	