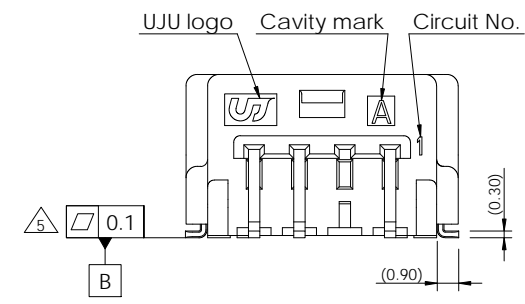
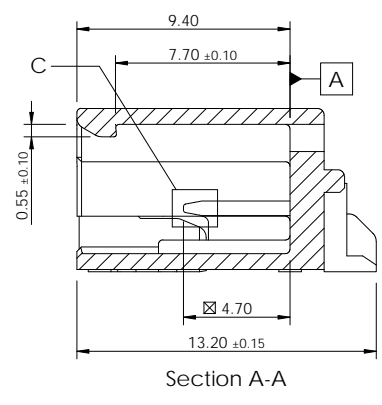
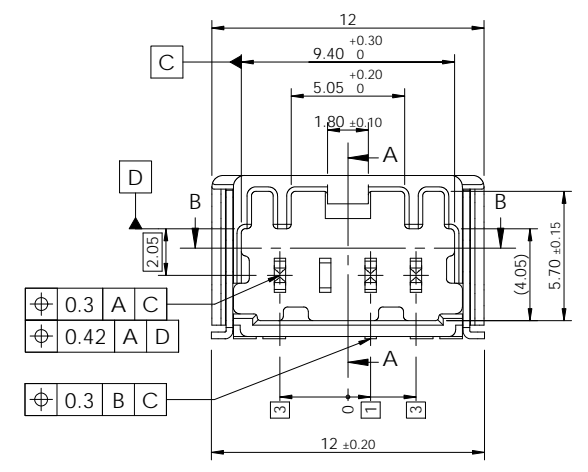
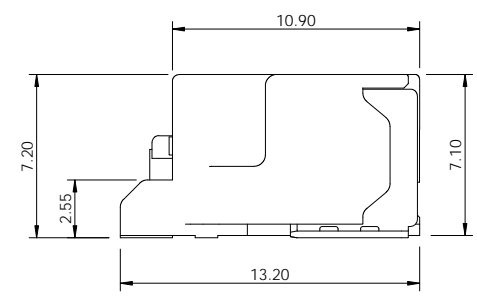
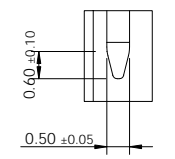
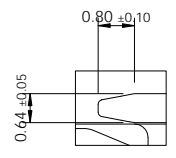
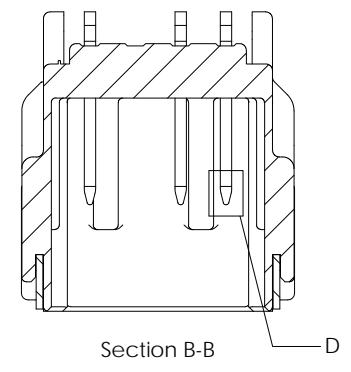
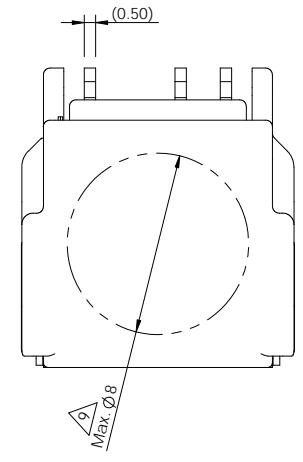
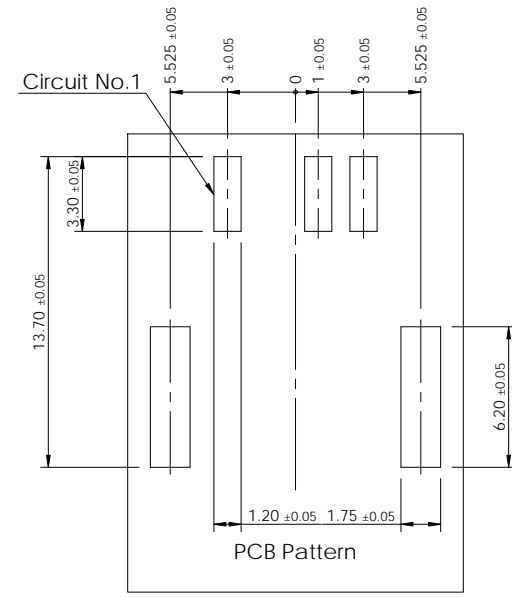
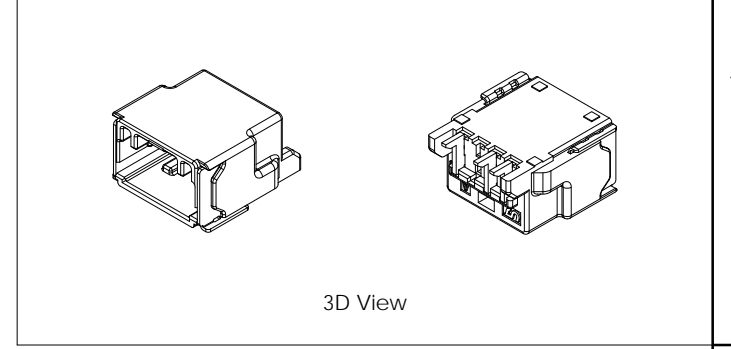
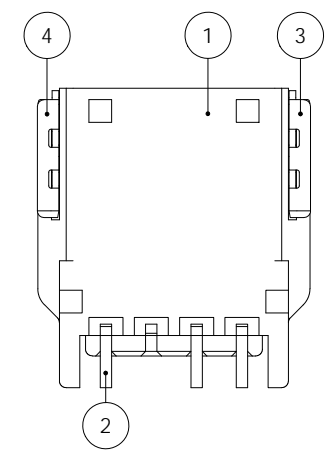
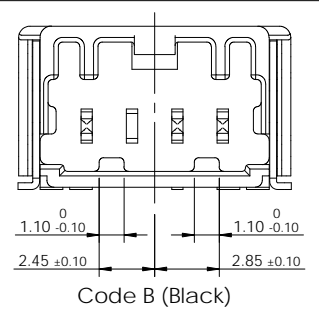
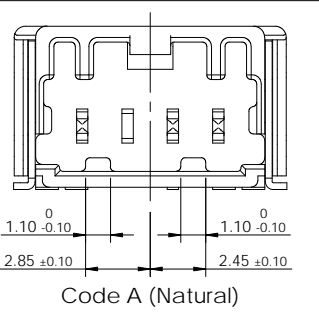


REV	REVISION RECORD	DATE	DRWN	CHKD	APVD
A	RELEASED (RD-2022-113)	05 SEP '22	JK	SJ	CY

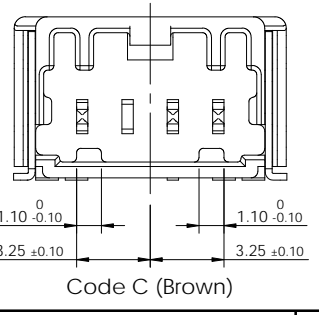


Code	Part No.	Description
D	-	020_D_C_SMT_3M_H_ASSY_BL_Au_G
C	KH2110126-42	020_D_C_SMT_3M_H_ASSY_BR_Au_G
B	KH2110126-21	020_D_C_SMT_3M_H_ASSY_BK_Au_G
A	KH2110126-10	020_D_C_SMT_3M_H_ASSY_NR_Au_G



-Note-

- General tolerance : Refer to DIN 16742 TG5 specification.
- Burr Max.0.3
- No crack
- All letters shall be clear and legible.
- Measuring the demensions of Tab TML and Solder Peg.
- Finish Tab TML and Solder Peg
  - Sn plating 2.5~4.0 $\mu$ m (matte) over Ni 1.0~2.0 $\mu$ m
  - Au plating Min. 0.38 $\mu$ m
- Packing : Emboss tape
- Flammability : UL94-HB
- Vacum grip area free of burr and fector pins, Max.Ø8.0
- Matching part
  - KH1910012 (020\_D\_C\_3F\_ASSY\_G)



No.	Description	Material	Finish / Color	Q'ty
4	020 SMT Solder Peg HZT-L	Copper alloy	Post-Sn	1 1 1 1
3	020 SMT Solder Peg HZT-R	Copper alloy	Post-Sn	1 1 1 1
2	020 SMT Tab TML HZT	Copper alloy	Post-Au/Sn	3 3 3 3
1	020_D_SMT_4M_H_HSG_BL	PA9T-GF30	Blue	1 - - -
	020_D_SMT_4M_H_HSG_BR	PA9T-GF30	Brown	- 1 - -
	020_D_SMT_4M_H_HSG_BK	PA9T-GF30	Black	- - 1 -
	020_D_SMT_4M_H_HSG_NR	PA9T-GF30	Natural	- - - 1

TOLERANCES UNLESS OTHERWISE SPECIFIED		UNIT MM		THIRD ANGLE PROJECTION		NAME 020_D_C_SMT_3M_H_ASSY_Au_G	
0	±	PRODUCT SPEC		APPLICATION SPEC		DRAWING NO KH2110126	
0.0	±	APVD CY. CHOI		MATERIAL SEE TABLE		CUSTOMER DRAWING	
0.00	±	CHKD SJ. LEE		FINISH/COLOR SEE TABLE		DRAWING	
0.000	±	DRWN JK. HWANG		WEIGHT		LOC RESTRICTED TO	
0.0000	±	APVD CY. CHOI		WEIGHT		SIZE SCALE SHEET	
ANGLES	±	APVD CY. CHOI		WEIGHT		1 of 1	
PRODUCT SPEC	±	APVD CY. CHOI		WEIGHT		REV A	