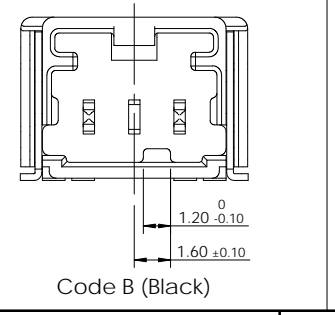
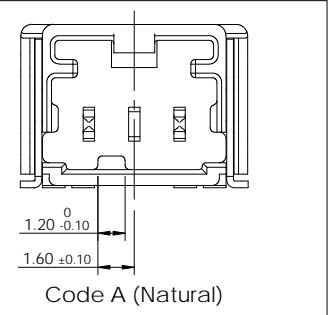
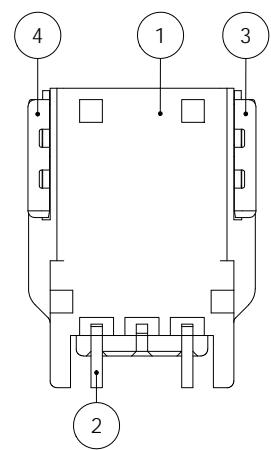
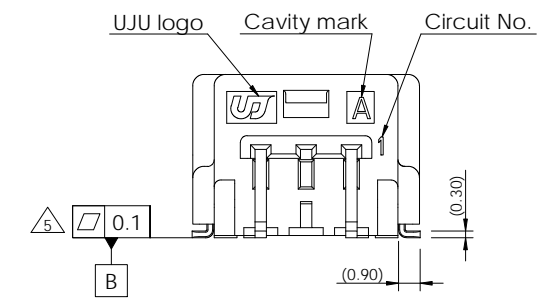
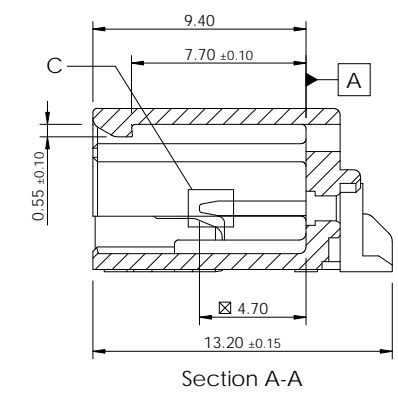
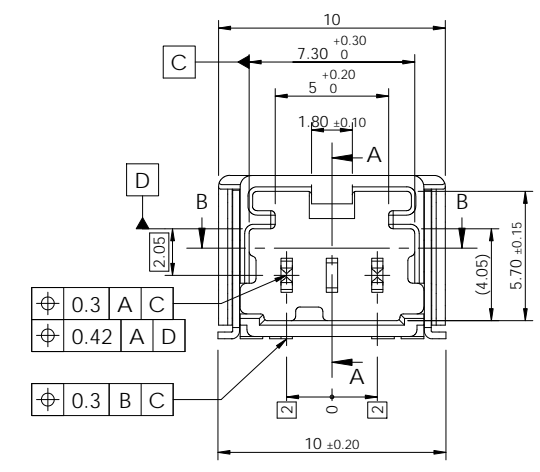
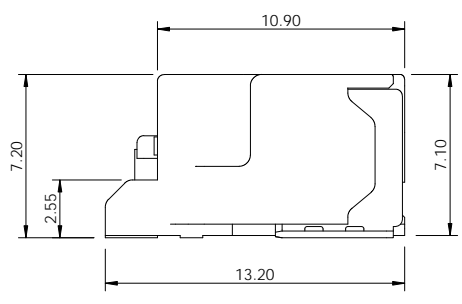
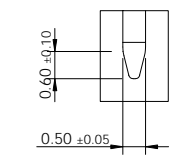
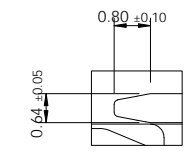
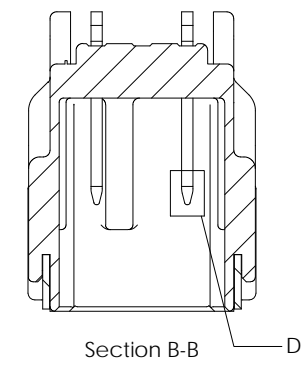
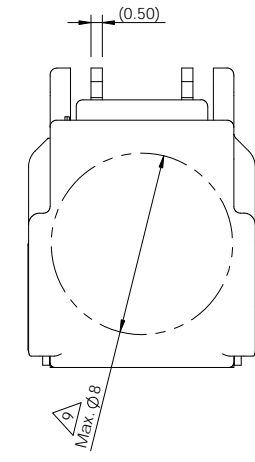
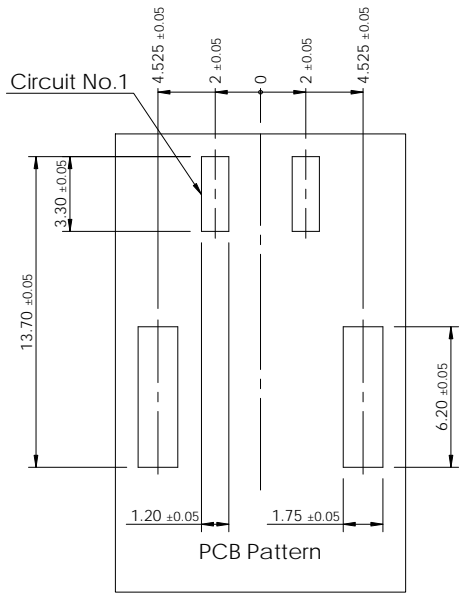
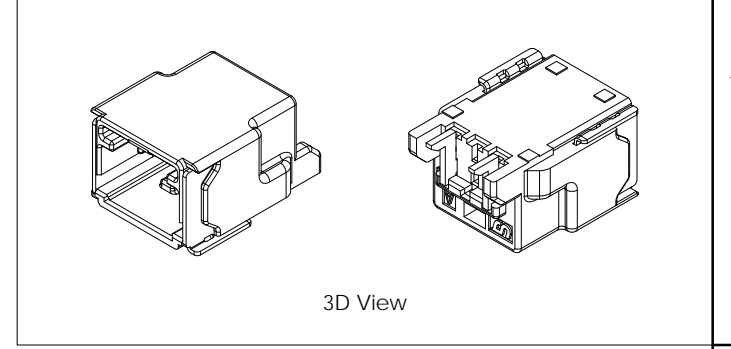


REV	REVISION RECORD	DATE	DRWN	CHKD	APVD
A	RELEASED (RD-2022-113)	05 SEP '22	JK	SJ	CY



- Note-
- General tolerance : Refer to DIN 16742 TG5 specification.
 - Burr Max.0.3
 - No crack
 - All letters shall be clear and legible.
 - Measuring the demensions of Tab TML and Solder Peg.
 - Finish Tab TML and Solder Peg
 - Sn plating 2.5~4.0µm (matte) over Ni 1.0~2.0µm
 - Au plating Min. 0.38µm
 - Packing : Emboss tape
 - Flammability : UL94-HB
 - Vacum grip area free of burr and fector pins, Max.Ø8.0
 - Matching part
 - KH1910009 (020_D_C_2F_ASSY_G)

No.	Description	Material	Finish / Color	Q'ty
4	020 SMT Solder Peg HZT-L	Copper alloy	Post-Sn	1
3	020 SMT Solder Peg HZT-R	Copper alloy	Post-Sn	1
2	020 SMT Tab TML HZT	Copper alloy	Post-Au/Sn	2
1	020_D_SMT_3M_H_HSG_BK	PA9T-GF30	Black	1
	020_D_SMT_3M_H_HSG_NR	PA9T-GF30	Natural	-

No.	Description	Material	Finish / Color	Q'ty
B	020_D_C_SMT_2M_H_ASSY_BK_Au_G			
A	020_D_C_SMT_2M_H_ASSY_NR_Au_G			

DRWN JK. HWANG	(주)우주 일렉트로닉스 UJU Electronics co.,Ltd.	
CHKD SJ. LEE		
APVD CY. CHOI	NAME	
MATERIAL	SEE TABLE	
FINISH/COLOR	SEE TABLE	
WEIGHT	CUSTOMER DRAWING	
DRAWING NO		KH2110125
LOC	RESTRICTED TO	SIZE A3
SCALE	3:1	SHEET 1 of 1
REV	A	

TOLERANCES UNLESS OTHERWISE SPECIFIED	UNIT MM
0 ±	THD ANGLE PROJECTION
0.0 ±	
0.00 ±	
0.000 ±	
0.0000 ±	
ANGLES ±	
PRODUCT SPEC	APPLICATION SPEC