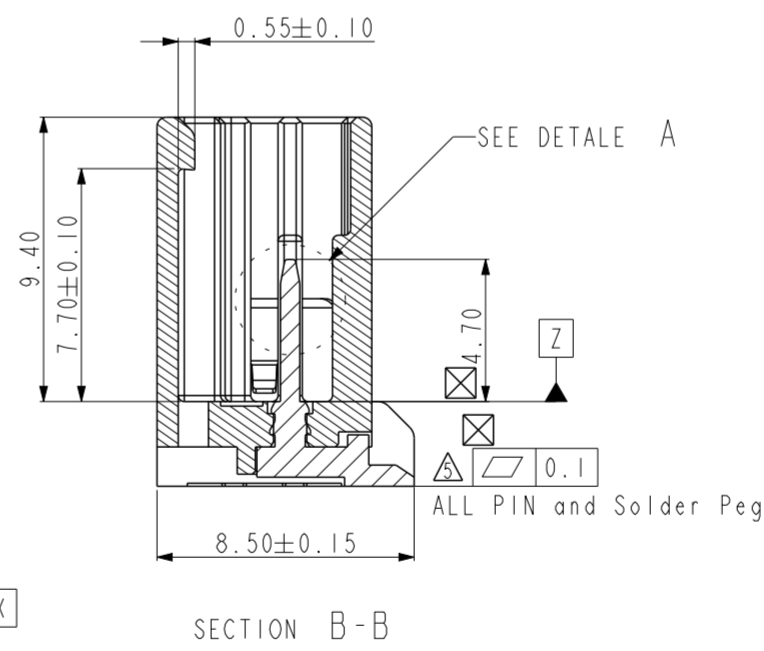
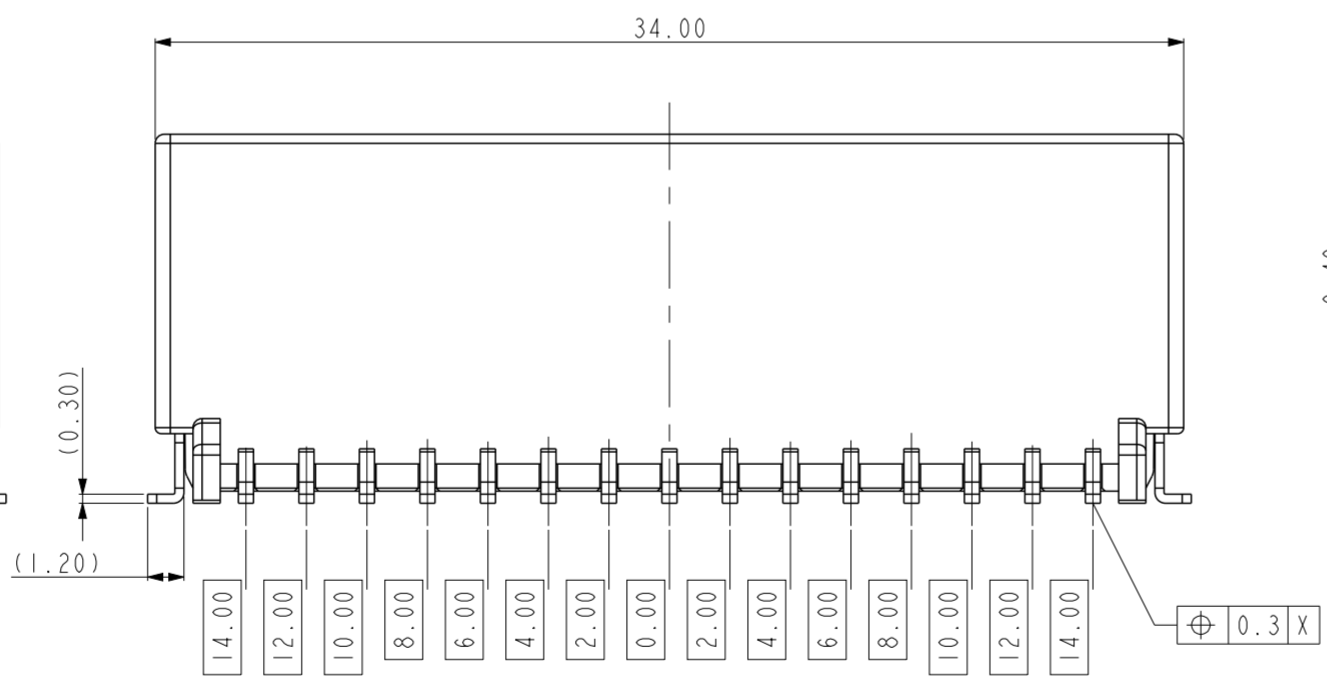
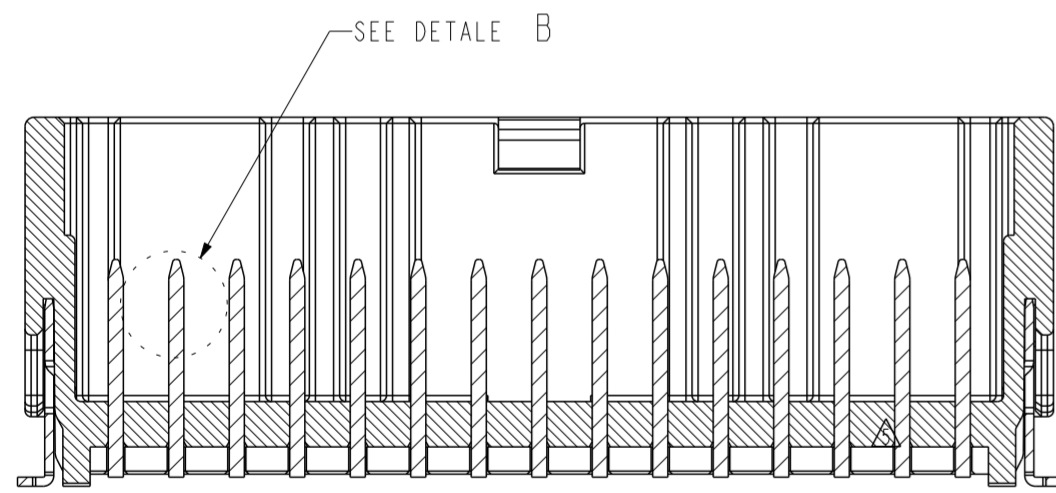
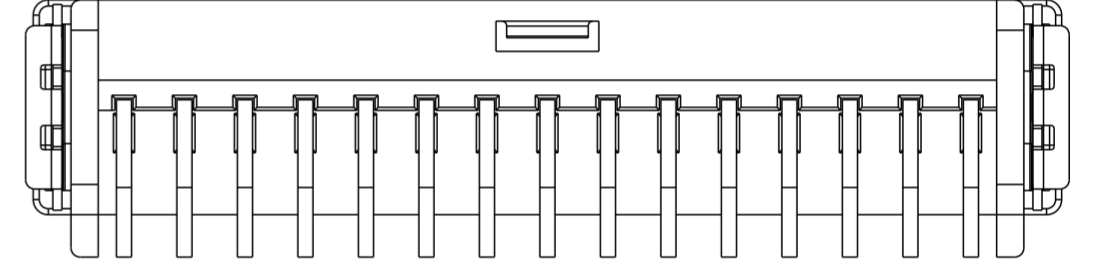
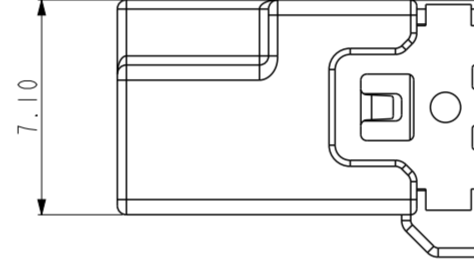
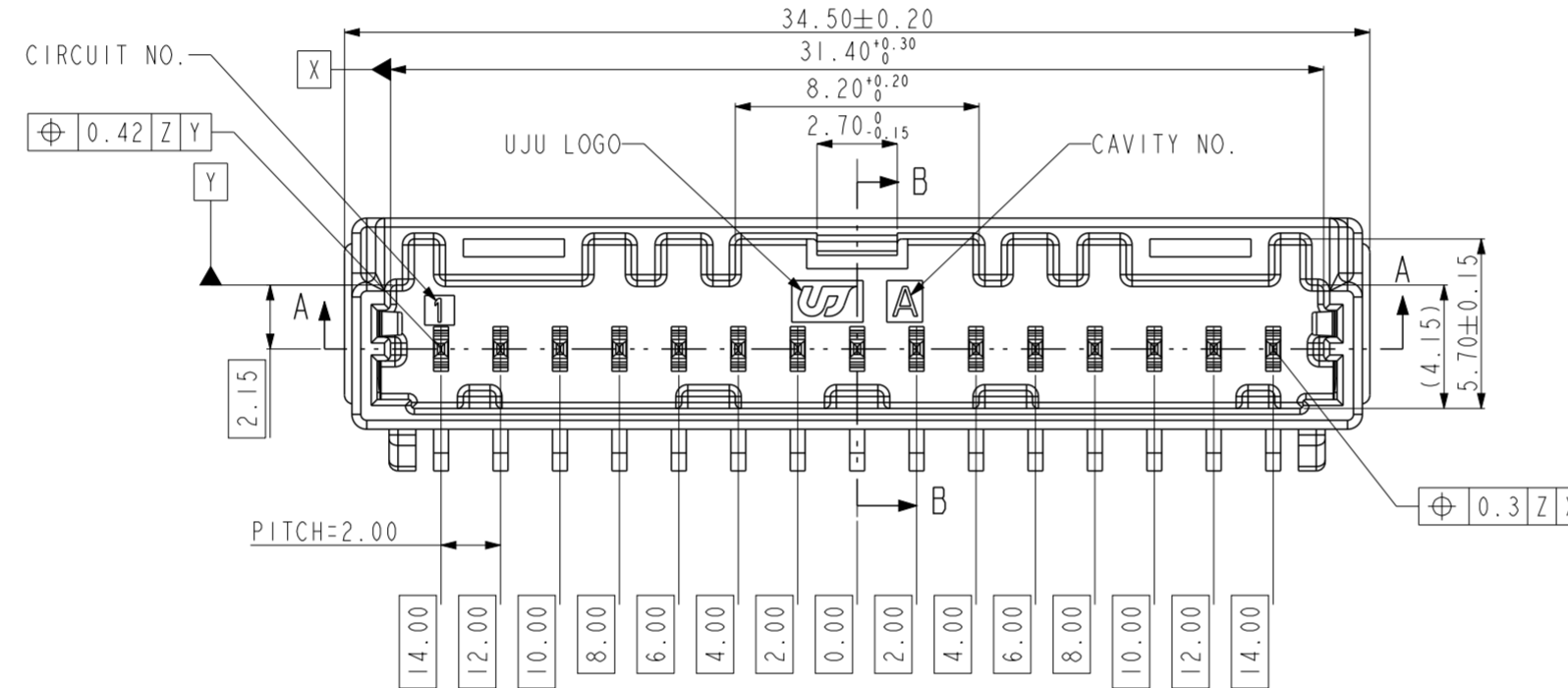
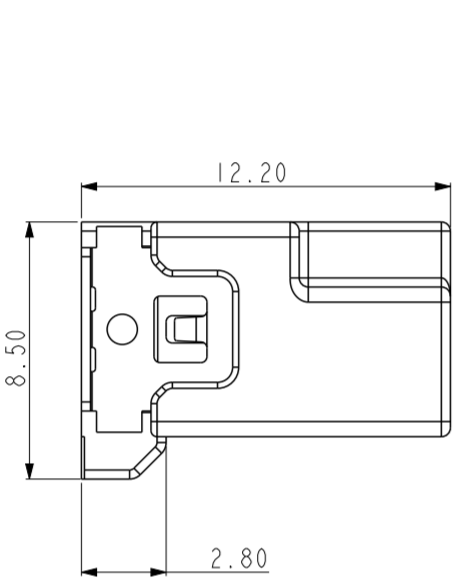
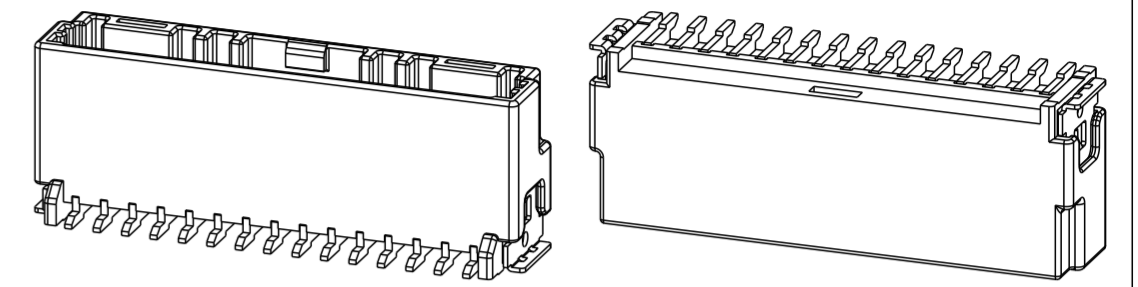
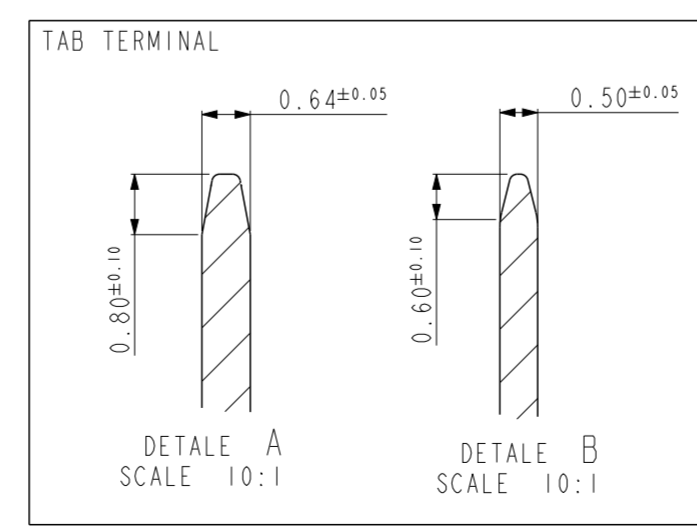
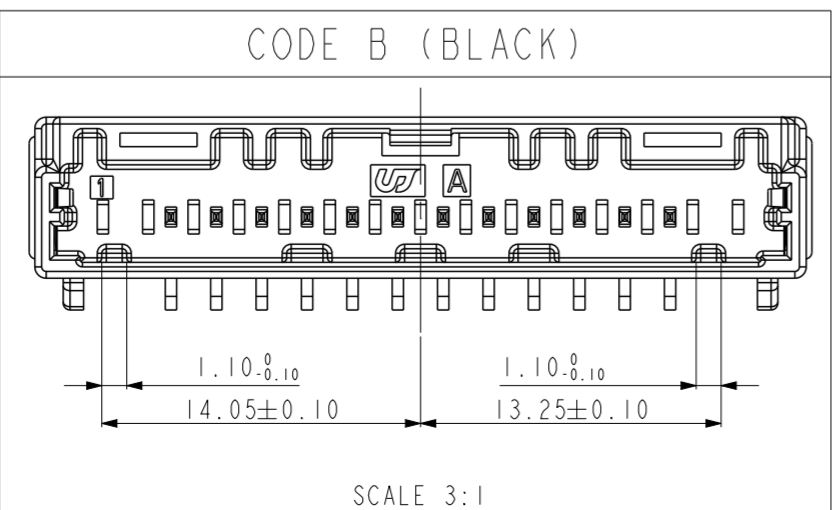
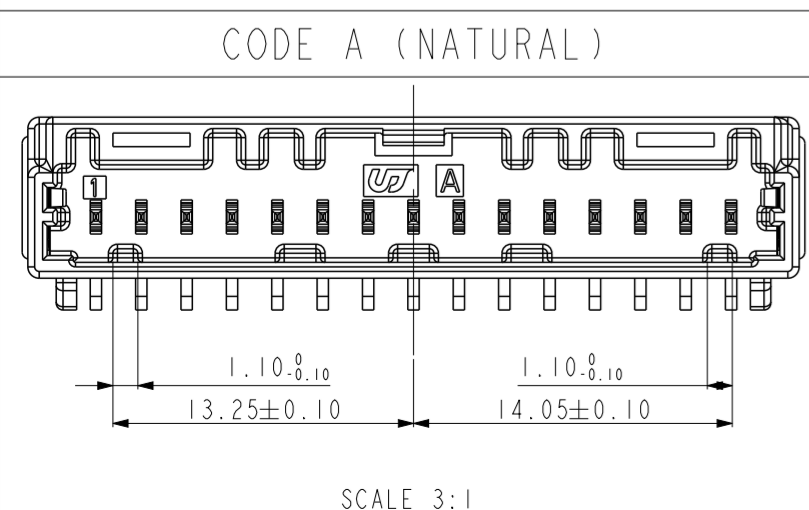


REV	REVISION RECORD	DATE	DRWN	CHKD	APVD
A	RELEASED (RD-2022-106)	11 AUG '22	KC	SJ	CY



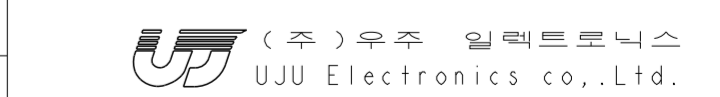
- NOTE.
- GENERAL TOLERANCE : REFER TO DIN16742 T65 SPECIFICATION
 - BURR 0.3 MAX.
 - NO CRACK
 - ALL LETTERS SHALL BE CLEAR AND LEGIBLE
 - MEASURING THE DIMENSIONS OF TAB TML AND SOLDER PEG.
 - FINISH TAB TML AND SOLDER PEG
TIN PLATING 2.5-4.0um MATTE
OVER NICKEL PLATING 1.0-2.0um MATTE
Au PLATING MIN. 0.38um
 - PACKING : EMBOSS TAPE
 - FLAMMABILITY : UL94 - HB
 - VACUM GRIP AREA FREE OF BURR AND FECTOR PINS. MAX Ø4.0mm



NO	DESCRIPTION	MATERIAL	FINISH/COLOR	Q'TY
5	020_D_COVER_HSG_BK	LCP (E471i)	BLACK	1
4	020_SMT_SOLDER_PEG-LEFT (VTC)	BRASS	POST-TIN	1
3	020_SMT_SOLDER_PEG-RIGHT (VTC)	BRASS	POST-TIN	1
2	020_SMT_TAB_TML(VTC)_Au	BRASS	POST-Au	15
1	020_D_SMT_15M_V_HSG_BK	PA9T GF30	BLACK	1
1	020_D_SMT_15M_V_HSG_NR	PA9T GF30	NATURAL	1

TOLERANCES UNLESS OTHERWISE SPECIFIED	UNIT MM
0	±
0.0	±
0.00	±
0.000	±
0.0000	±
ANGLES	±
PRODUCT SPEC	-
APPLICATION SPEC	-

DRWN	CHKD	APVD	MATERIAL	FINISH/COLOR	WEIGHT	LOC	RESTRICTED TO	SIZE	SCALE	SHEET	REV
KC.HAN	SJ.LEE	CY.CHOI	SEE TABLE	SEE TABLE	-	-	-	A2	4:1	1 OF 1	A



NAME: 020_D_SMT_15M_V_ASSY_Au_G

DRAWING NO: KH2110124