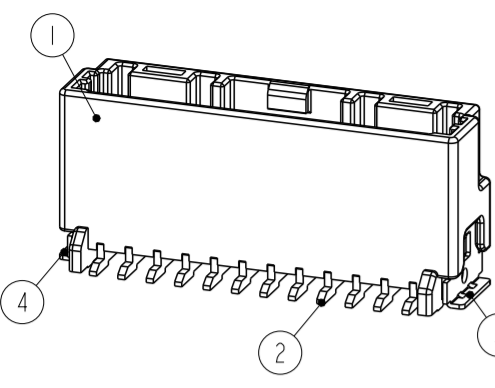
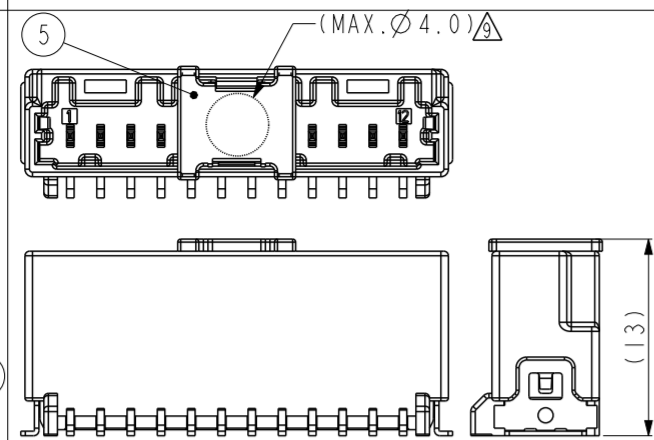


ASSEMBLY WITHOUT COVER

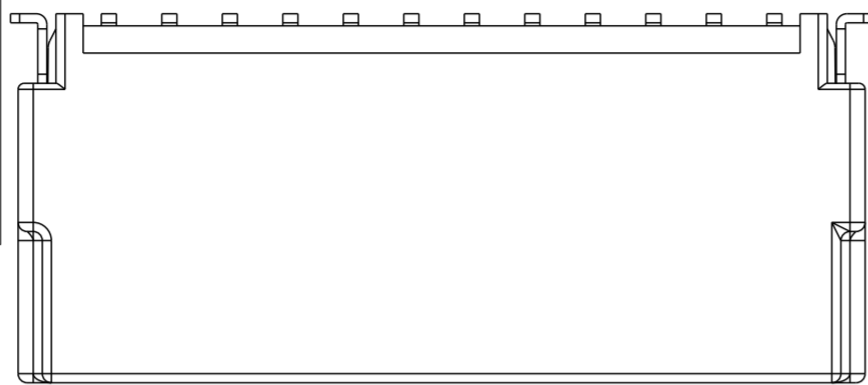
ASSEMBLY WITH COVER



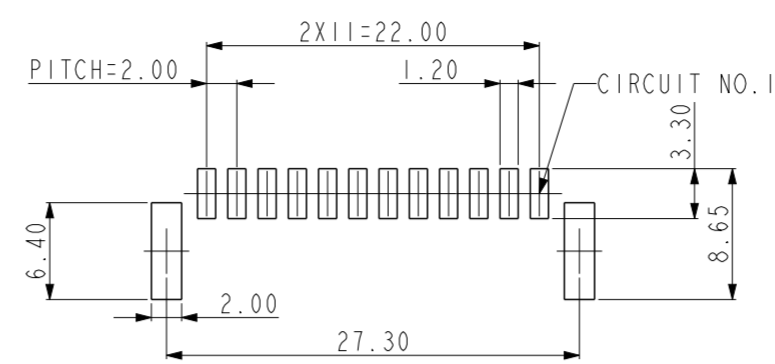
SCALE 2:1



(DELIVERY CONDITION)
SCALE 2:1

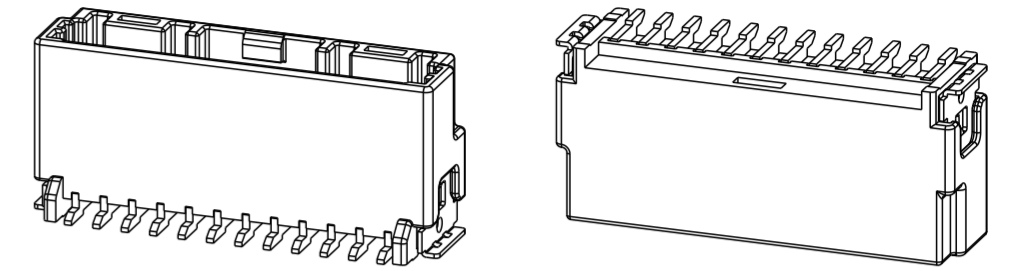


PCB PATTERN

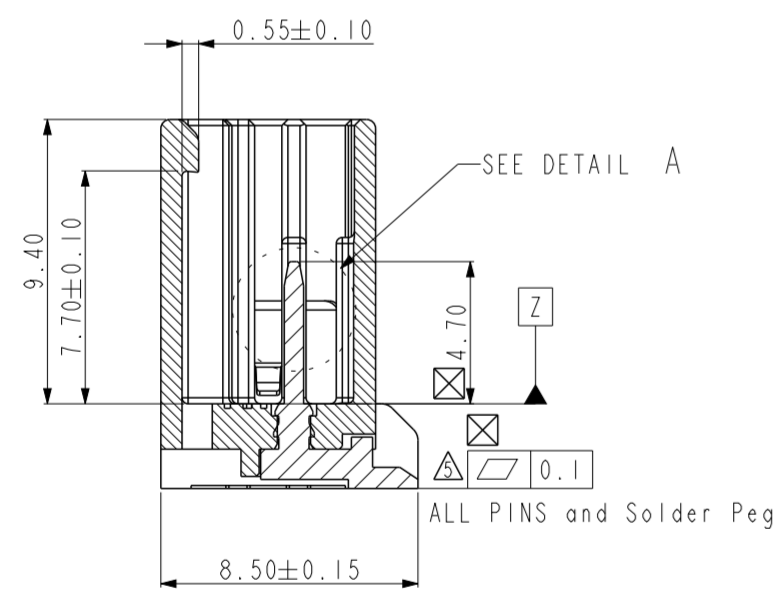
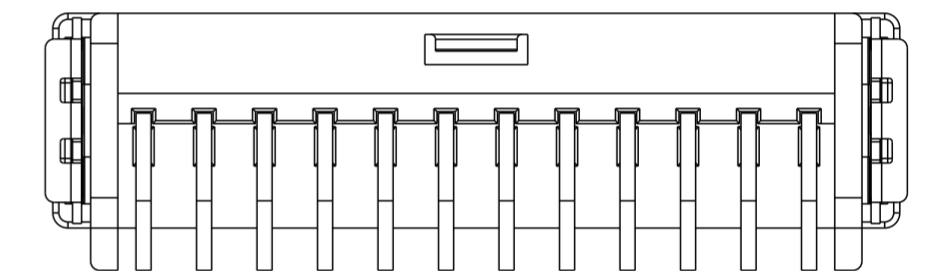
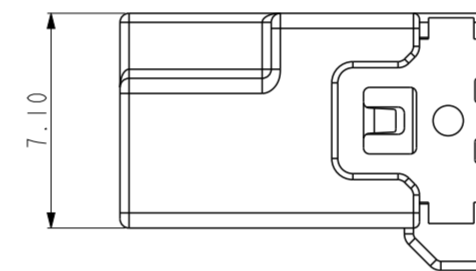
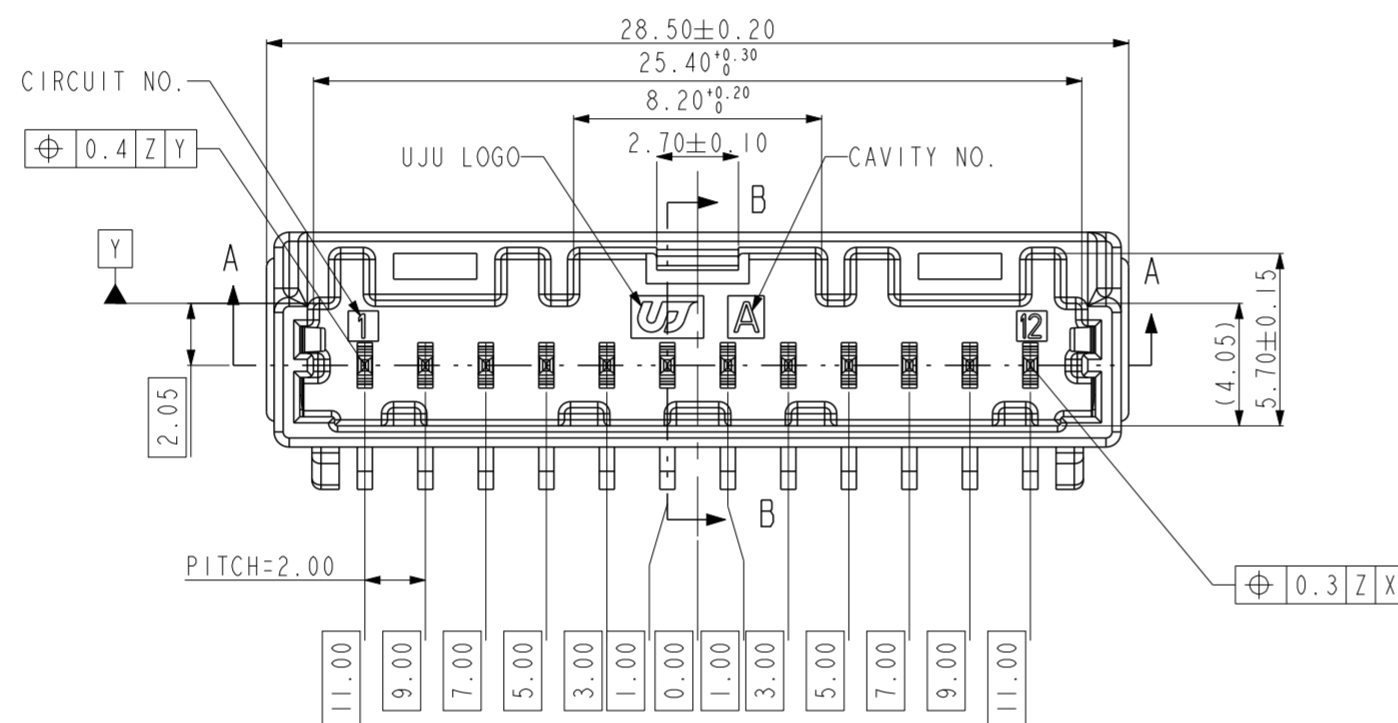
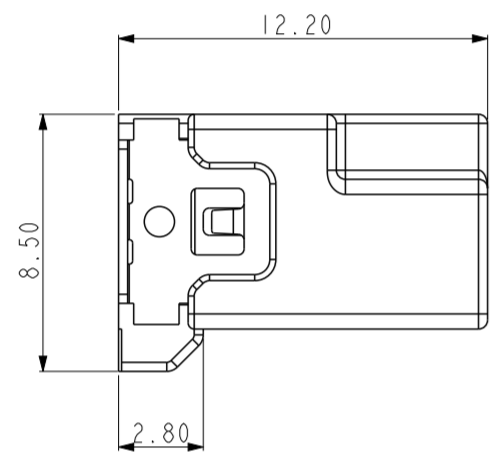


1. TOLERANCE : ±0.05

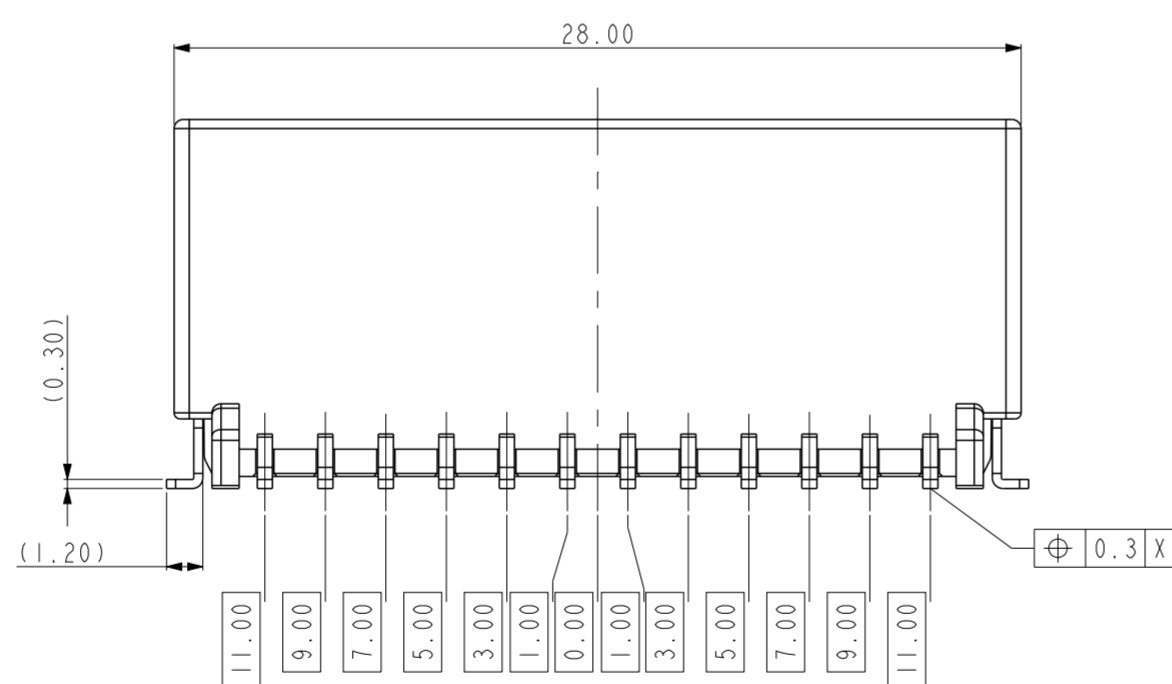
REV	REVISION RECORD	DATE	DRWN	CHKD	APVD
A	RELEASED (RD-2022-106)	11 AGU '22	KC	SJ	CY



ISO VIEW
SCALE 2:1



SECTION B-B

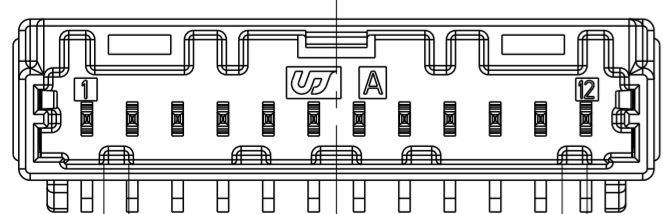


SECTION A-A

NOTE.

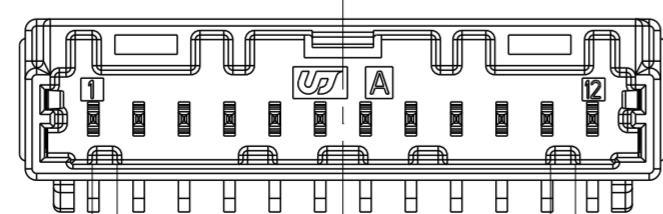
- GENERAL TOLERANCE : REFER TO DIN16742 T65 SPECIFICATION
- BURR 0.3 MAX.
- NO CRACK
- ALL LETTERS SHALL BE CLEAR AND LEGIBLE
- MEASURING THE DIMENSIONS OF TAB TML AND SOLDER PEG.
- FINISH TAB TML AND SOLDER PEG
TIN PLATING 2.5~4.0um MATTE
OVER NICKEL PLATING 1.0~2.0um MATTE
Au PLATING MIN. 0.38um
- PACKING : EMBOSS TAPE
- FLAMMABILITY : UL94 - HB
- VACUM GRIP AREA FREE OF BURR AND FECTOR PINS. MAXØ 4.0mm

CODE A (NATURAL)

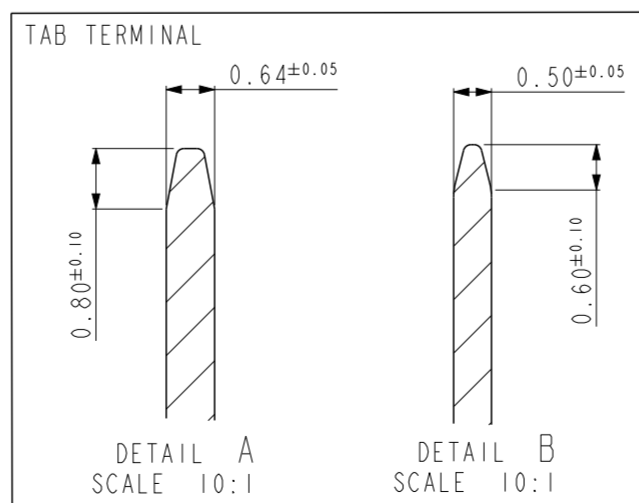


SCALE 4:1

CODE B (BLACK)



SCALE 4:1



TOLERANCES UNLESS OTHERWISE SPECIFIED	UNIT MM
0	THIRD ANGLE PROJECTION
0.0	SEE TABLE
0.00	SEE TABLE
0.000	SEE TABLE
0.0000	SEE TABLE
ANGLES	
PRODUCT SPEC	APPLICATION SPEC
-	-

DRWN	KC.HAN	(주)우주 일렉트로닉스 UJU Electronics co.,Ltd.	NAME			
CHKD	SJ.LEE		020_D-SMT_12M_V_ASSY_Au_G			
APVD	CY.CHOI		CUSTOMER	DRAWING	DRAWING NO	
MATERIAL	SEE TABLE	UJU	020_D-SMT_12M_V_ASSY_Au_G	KH2110123		
FINISH/COLOR	SEE TABLE	LOC	RESTRICTED TO	SIZE	SHEET	
WEIGHT	-	-	-	A2	1 OF 1	
				SCALE	REV	
				4:1	A	

020_D-SMT_12M_V_ASSY_BK_Au_G B KH2110123-21
 020_D-SMT_12M_V_ASSY_NR_Au_G A KH2110123-10
 ASSY DESCRIPTION CODE ASS'Y PART NO. REV.