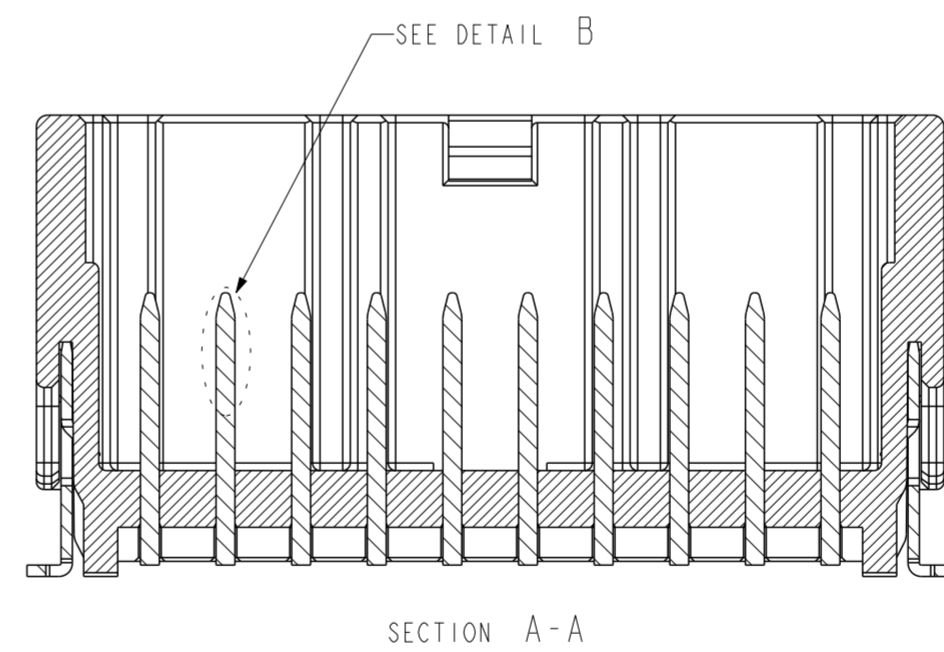
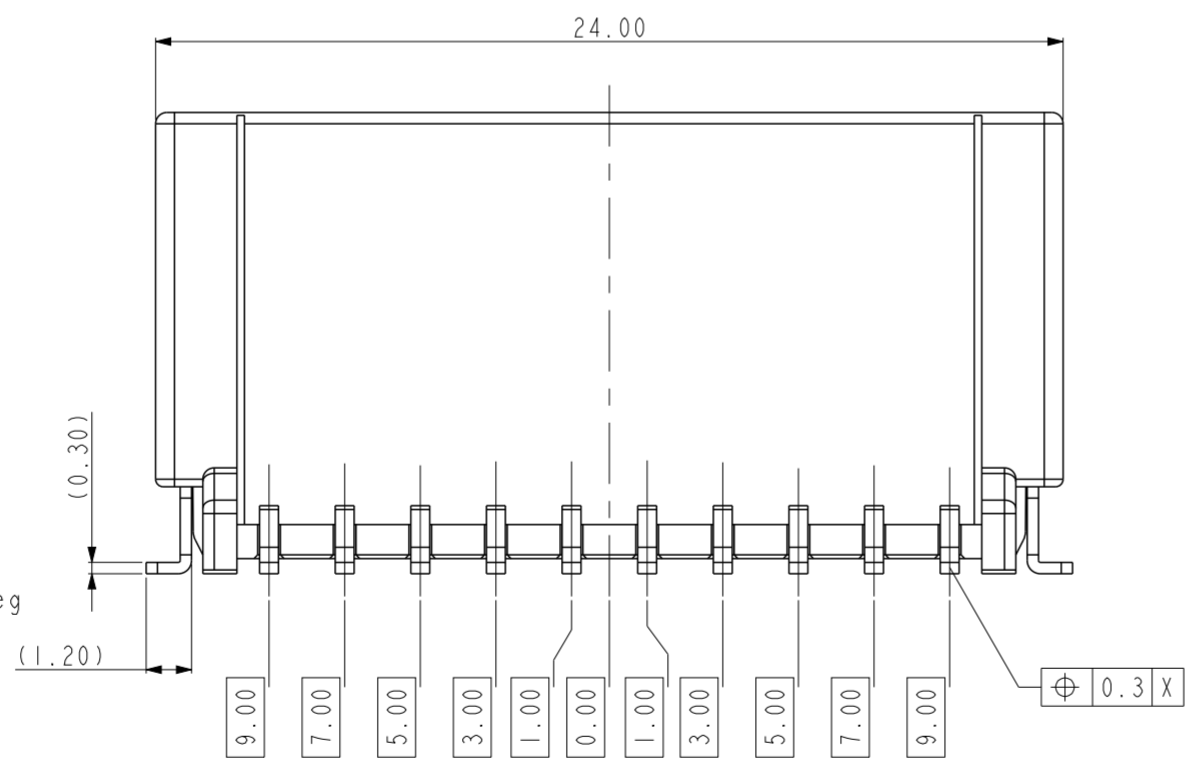
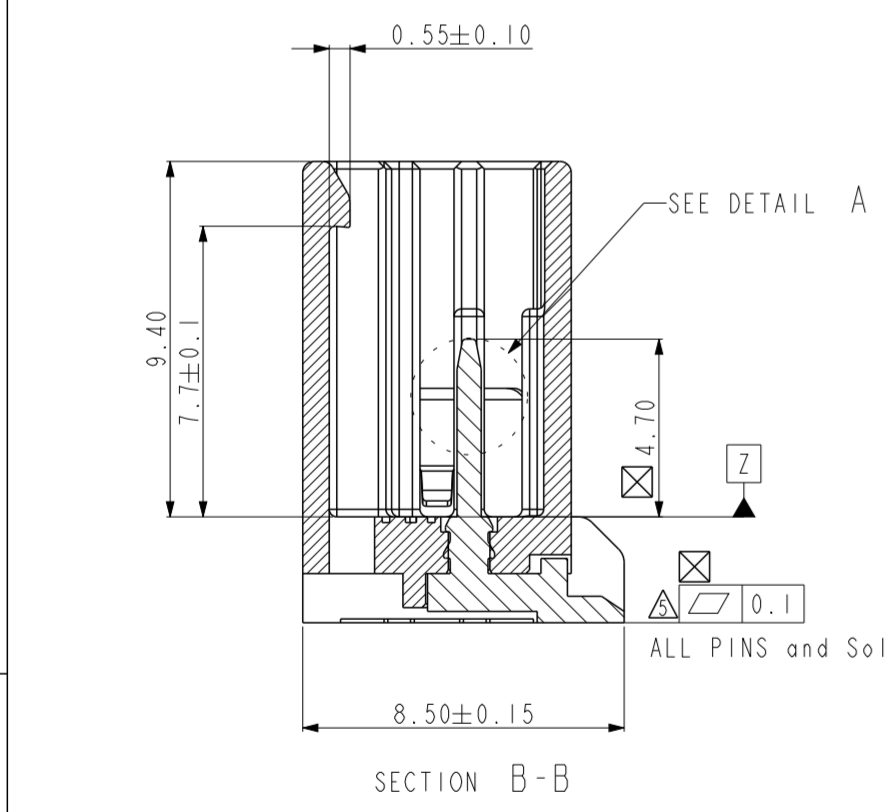
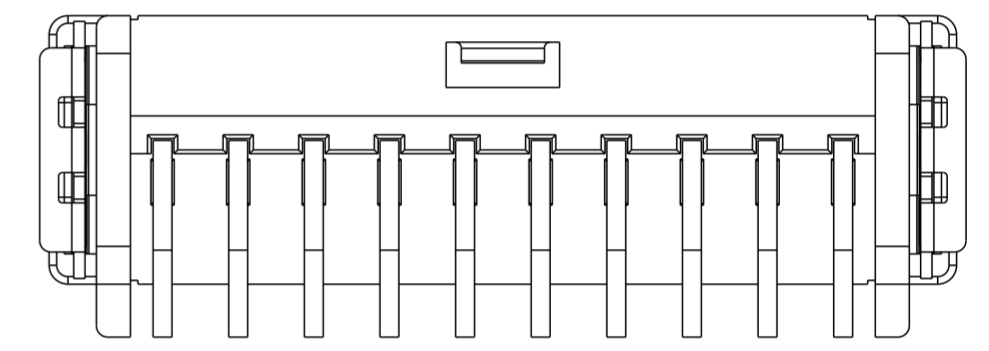
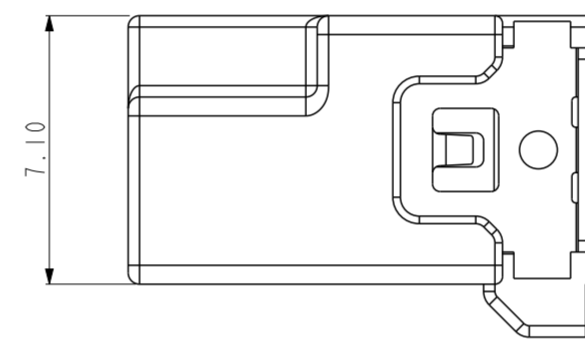
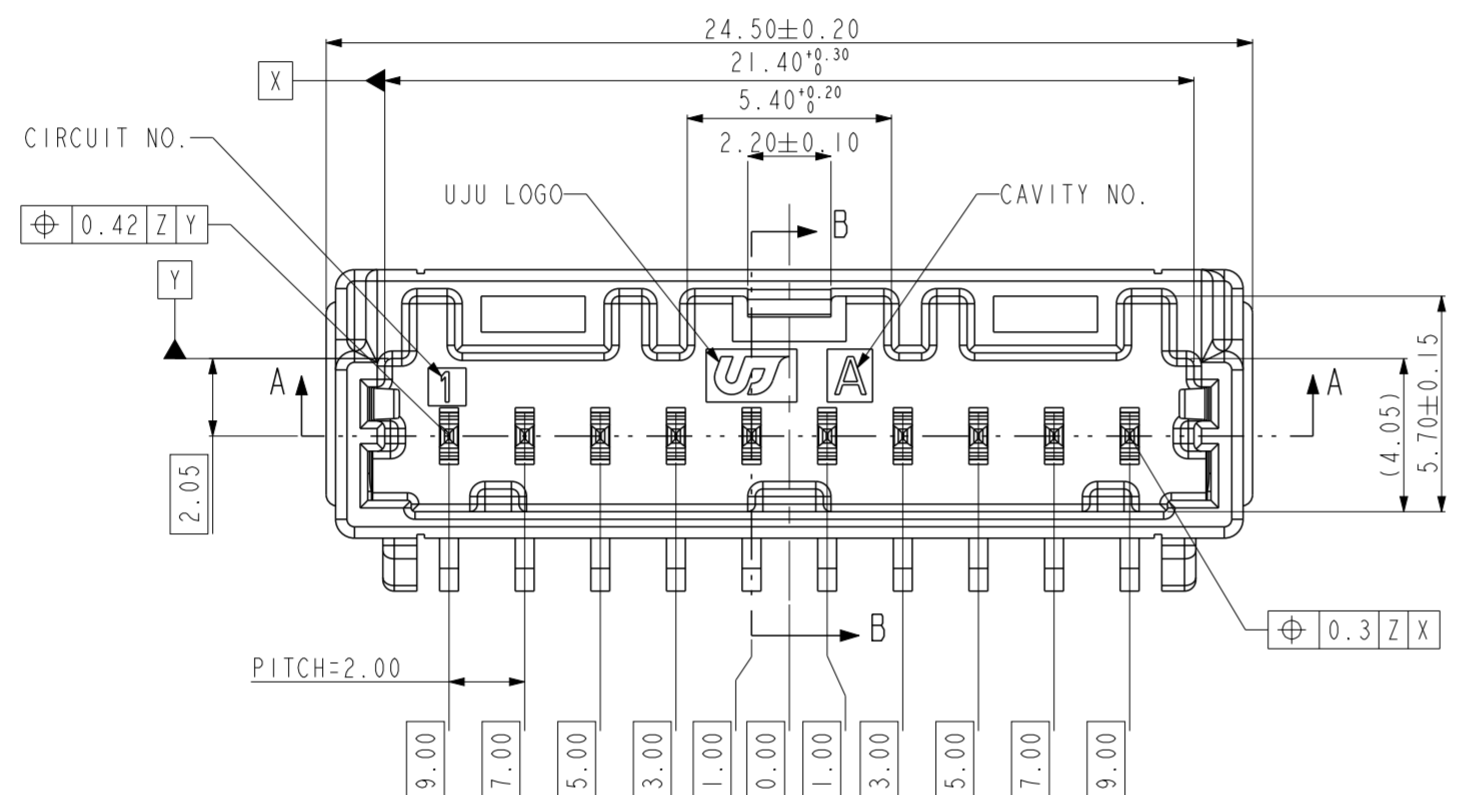
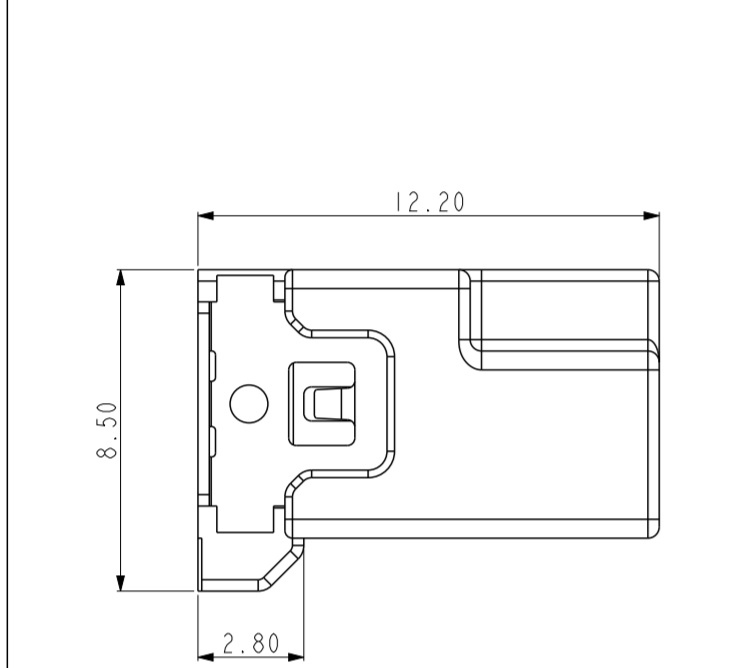
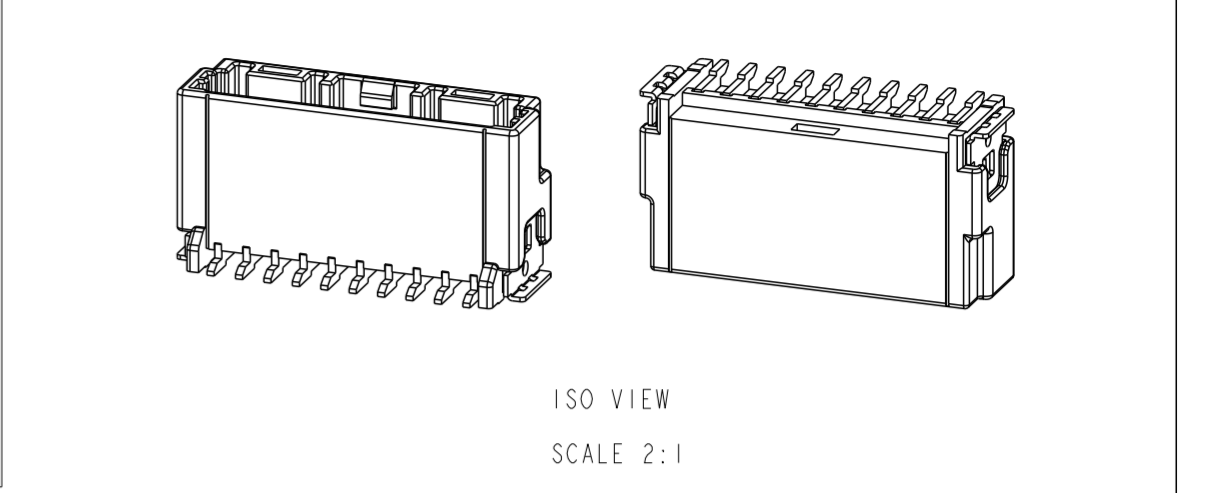
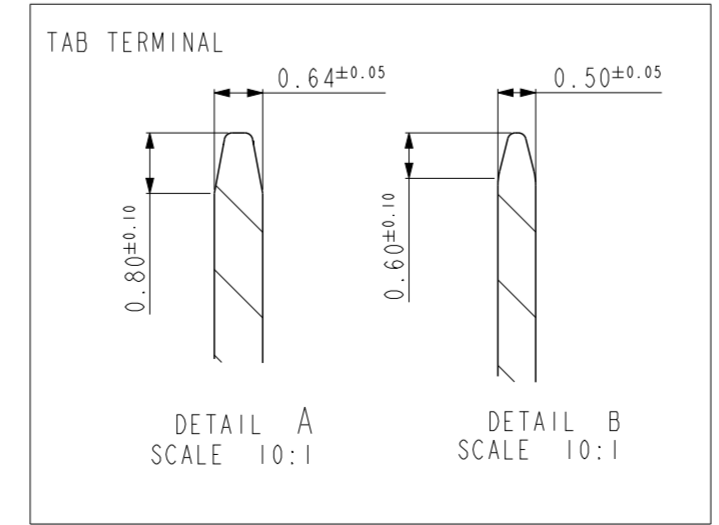
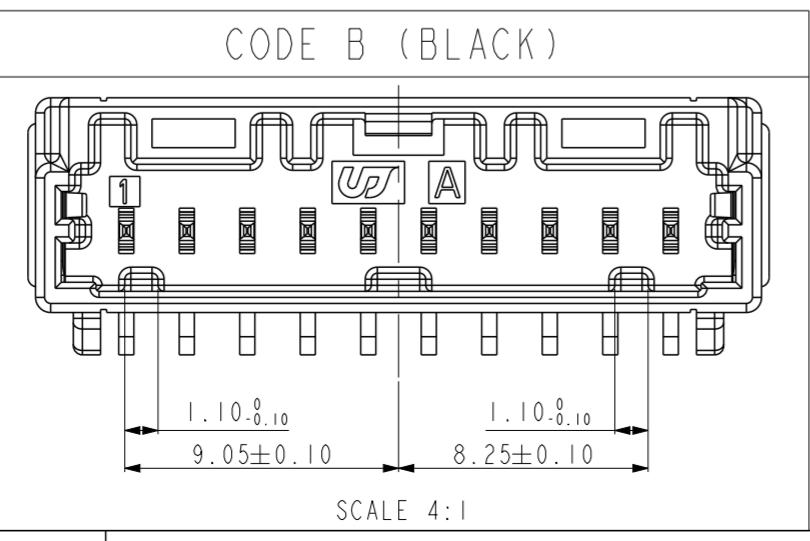
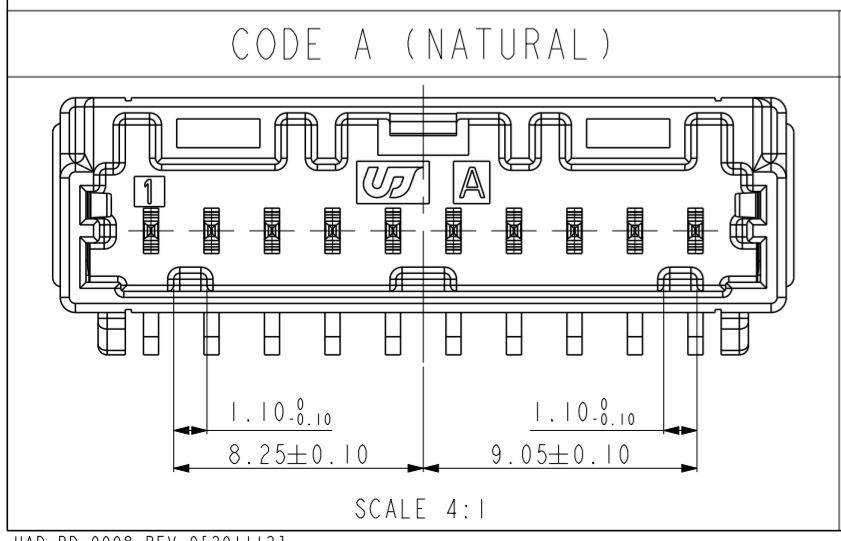


REV	REVISION RECORD	DATE	DRWN	CHKD	APVD
A	RELEASED (RD-2022-106)	11 AUG '22	KC	SJ	CY



- NOTE.
- GENERAL TOLERANCE : REFER TO DINI6742 TG5 SPECIFICATION
 - BURR 0.3 MAX.
 - NO CRACK
 - ALL LETTERS SHALL BE CLEAR AND LEGIBLE
 - MEASURING THE DIMENSIONS OF TAB TML AND SOLDER PEG.
 - FINISH TAB TML AND SOLDER PEG
TIN PLATING 2.5~4.0um MATTE
OVER NICKEL PLATING 1.0~2.0um MATTE
Au PLATING MIN. 0.38um
 - PACKING : EMBOSS TAPE
 - FLAMMABILITY : UL94 - HB
 - VACUM GRIP AREA FREE OF BURR AND FACTOR PINS. MAXØ4.0mm



CONTROL PRIORITY DIMENSION		DRWN
■ CRITICAL	☒ MAJOR	KC.HAN
□ MINOR		CHKD S.J.LEE
TOLERANCES UNLESS OTHERWISE SPECIFIED		APVD CY.CHOI
0	±	MATERIAL SEE TABLE
0.0	±	FINISH/COLOR SEE TABLE
0.00	±	WEIGHT -
0.000	±	LOC -
0.0000	±	RESTRICTED TO -
ANGLES	±	SIZE A2
PRODUCT SPEC		SCALE 5:1
		SHEET 1 OF 1
		REV A

NO		DESCRIPTION	MATERIAL	FINISH/COLOR	Q'TY
⑤	020_D_COVER_HSG_BK	LCP (E47Ii)	BLACK	1	1
④	020_SMT_SOLDER_PEG-LEFT (VTC)	BRASS	POST-TIN	1	1
③	020_SMT_SOLDER_PEG-RIGHT (VTC)	BRASS	POST-TIN	1	1
②	020_SMT_TAB_TML(VTC)_Au	BRASS	POST-Au	10	10
①	020_D_SMT_10M_V_HSG_BK	PA9T GF30	BLACK	1	-
	020_D_SMT_10M_V_HSG_NR	PA9T GF30	NATURAL	-	1

NAME		020_D_SMT_10M_V_ASSY_Au_G			
DRAWING		KH2110122			
LOC	RESTRICTED TO	SIZE	SCALE	SHEET	REV
-	-	A2	5:1	1 OF 1	A