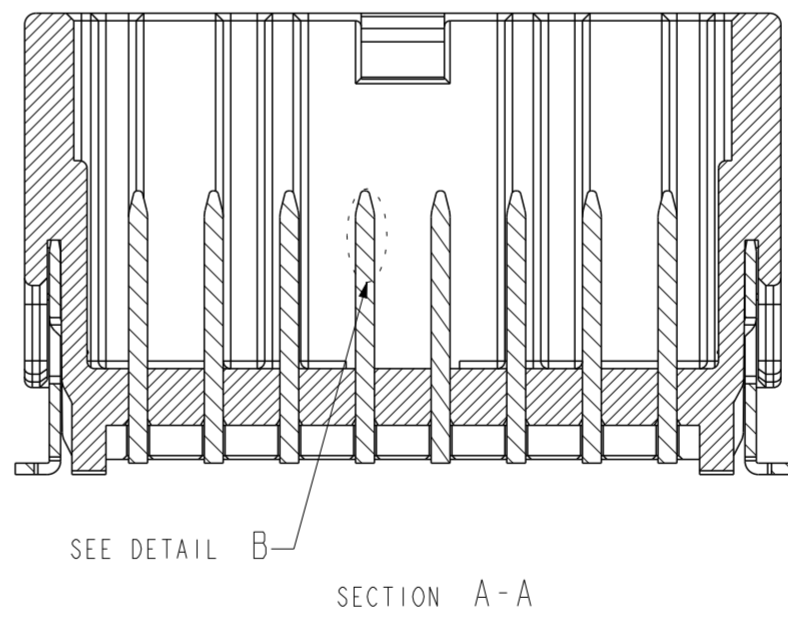
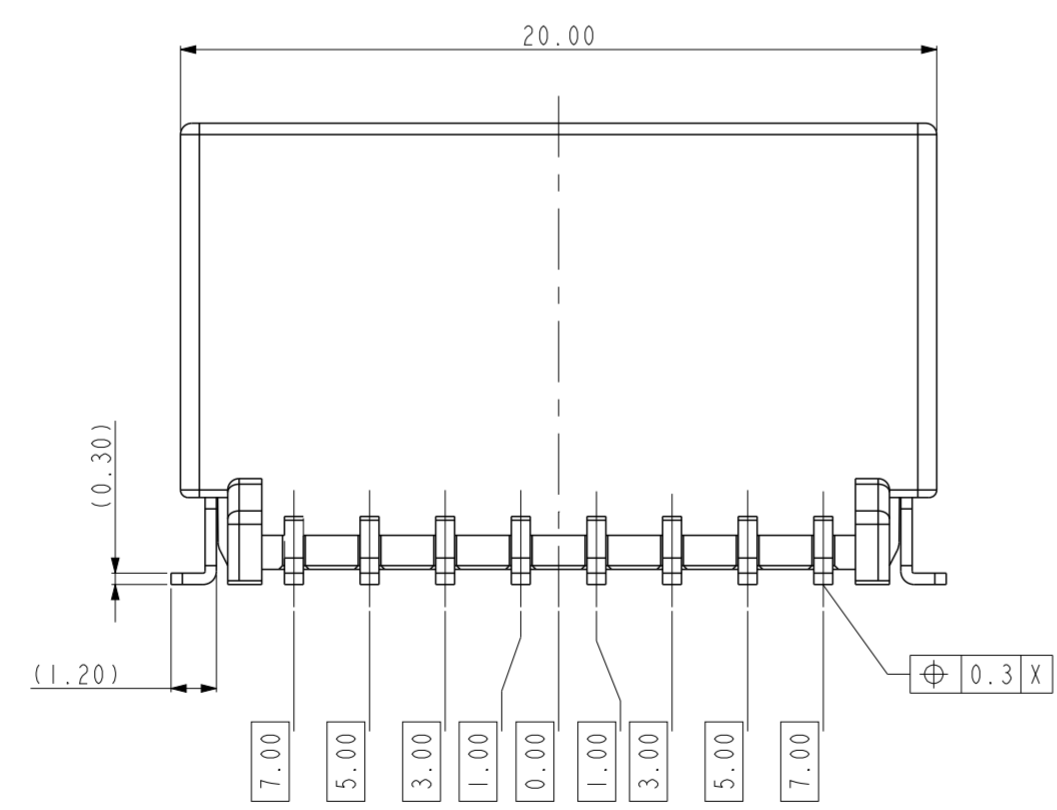
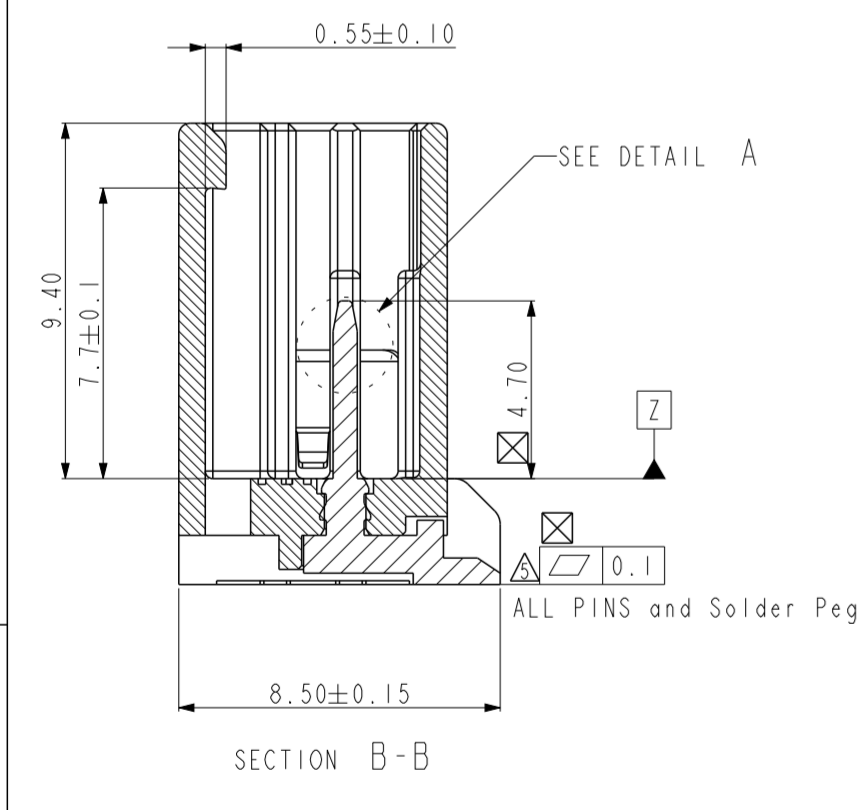
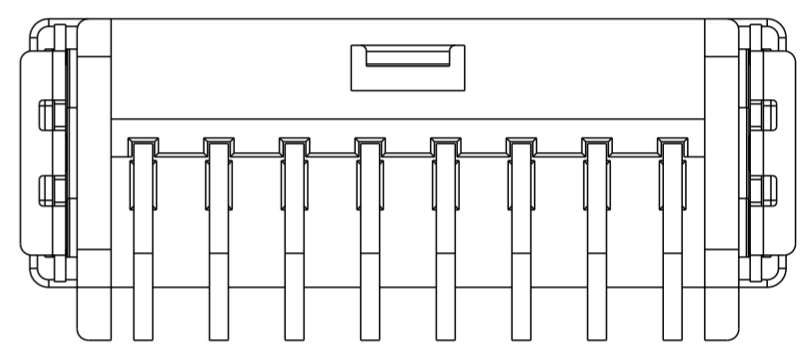
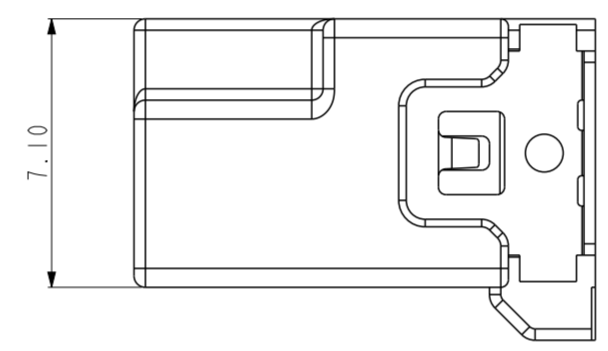
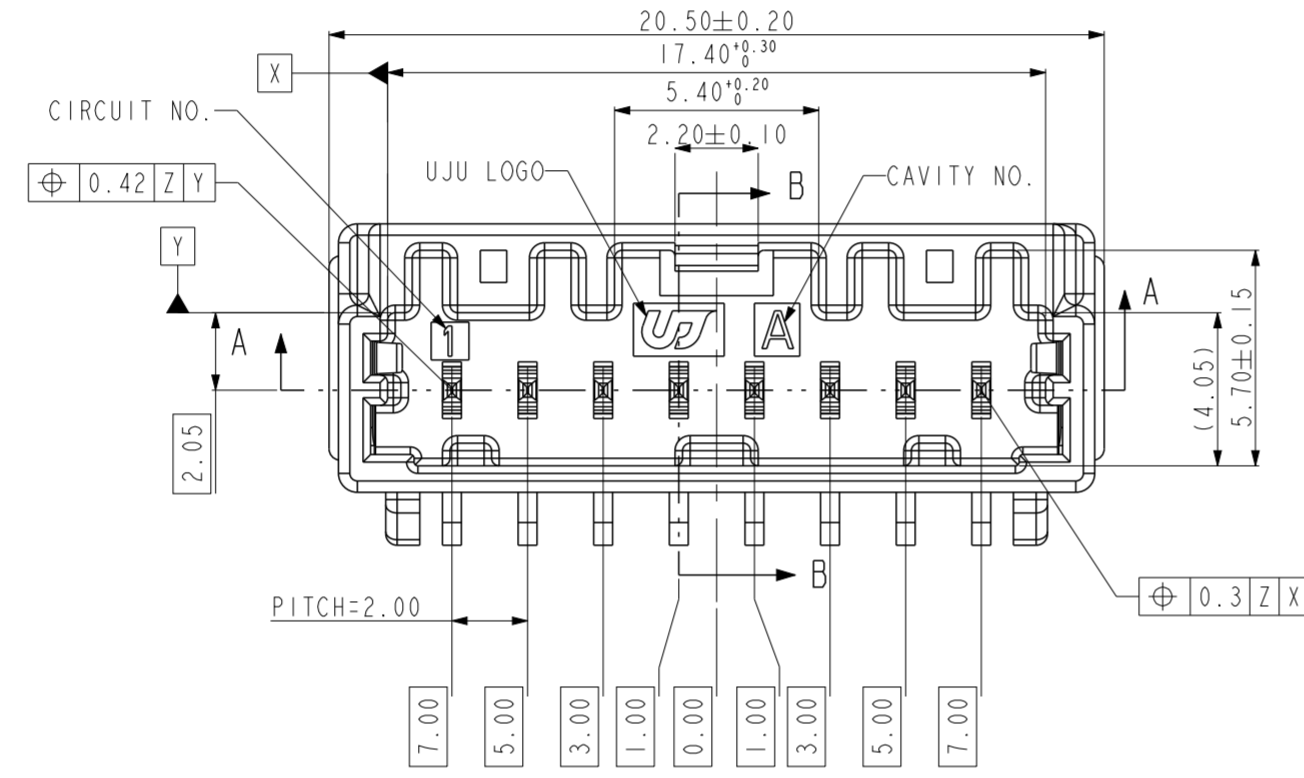
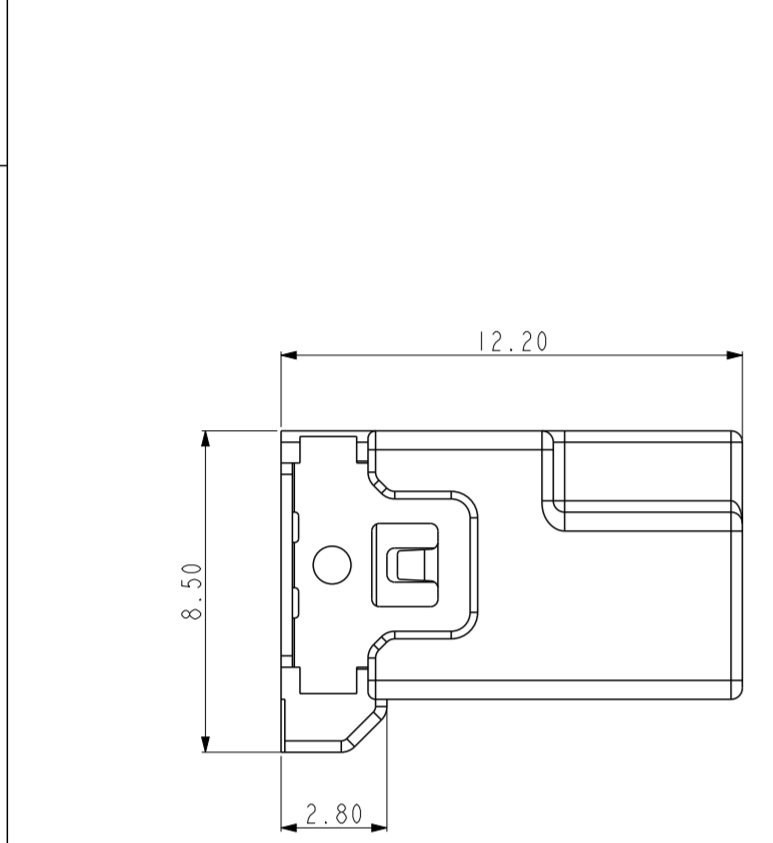
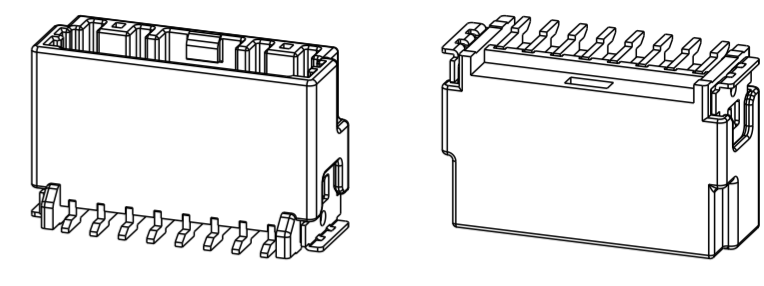
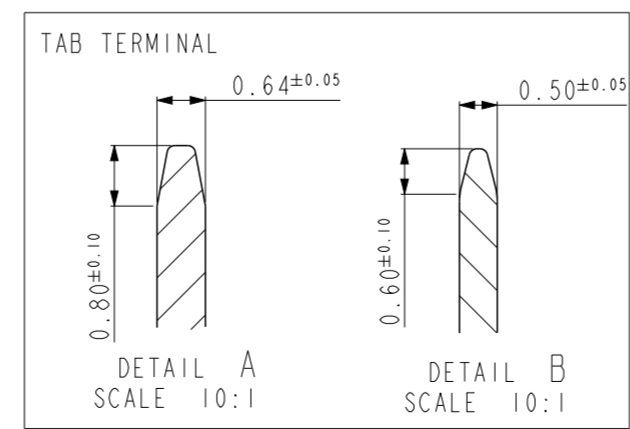
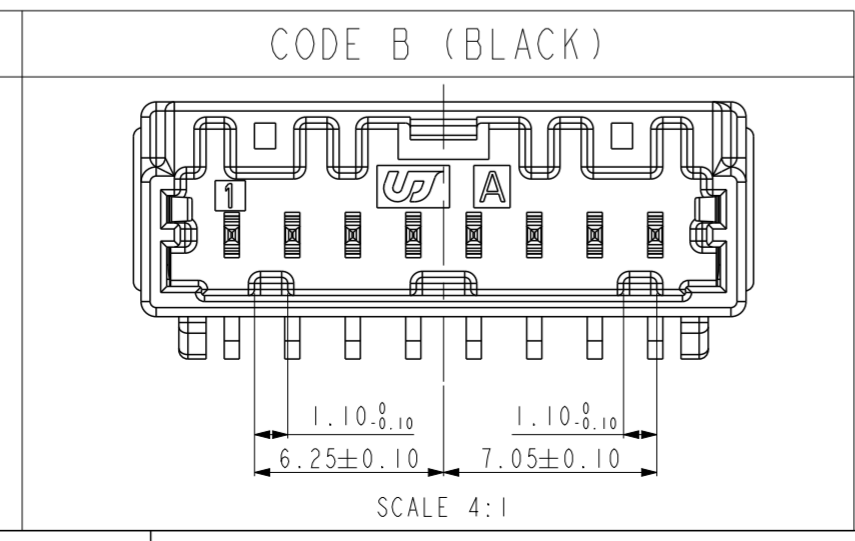
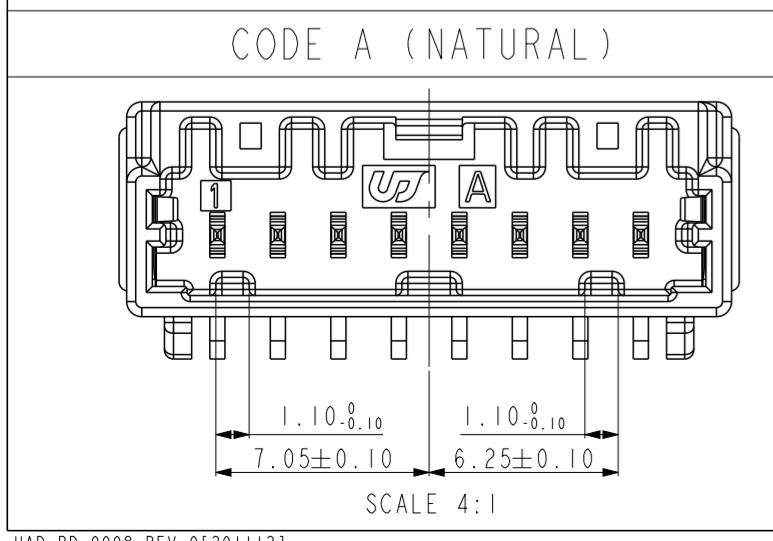


REV	REVISION RECORD	DATE	DRWN	CHKD	APVD
A	RELEASED (RD-2022-106)	11 AUG '22	KC	SJ	CY



- NOTE.
- GENERAL TOLERANCE : REFER TO DINI6742 TG5 SPECIFICATION
 - BURR 0.3 MAX.
 - NO CRACK
 - ALL LETTERS SHALL BE CLEAR AND LEGIBLE
 - MEASURING THE DIMENSIONS OF TAB TML AND SOLDER PEG.
 - FINISH TAB TML AND SOLDER PEG
TIN PLATING 2.5-4.0um MATTE
OVER NICKEL PLATING 1.0-2.0um MATTE
Au PLATING MIN. 0.38um
 - PACKING : EMBOSS TAPE
 - FLAMMABILITY : UL94 - HB
 - VACUM GRIP AREA FREE OF BURR AND FECTOR PINS. MAX∅4.0mm



TOLERANCES UNLESS OTHERWISE SPECIFIED	UNIT MM
0	THIRD ANGLE PROJECTION
0.0	∠
0.00	∠
0.000	∠
0.0000	∠
ANGLES	∠
PRODUCT SPEC	APPLICATION SPEC
-	-

NO	DESCRIPTION	MATERIAL	FINISH/COLOR	Q'TY
⑤	020_D_COVER_HSG_BK	LCP (E47Ii)	BLACK	1
④	020 SMT SOLDER PEG-LEFT (VTC)	BRASS	POST-TIN	1
③	020 SMT SOLDER PEG-RIGHT (VTC)	BRASS	POST-TIN	1
②	020 SMT TAB TML(VTC)_Au	BRASS	POST-Au	8
①	020_D_SMT_8M_V_HSG_BK	PA9T GF30	BLACK	1
①	020_D_SMT_8M_V_HSG_NR	PA9T GF30	NATURAL	1

DRWN	KC.HAN	(주)우주 일렉트로닉스 UJU Electronics co.,Ltd.	NAME				
CHKD	SJ.LEE		020_D_SMT_8M_V_ASSY_Au_G				
APVD	CY.CHOI		DRAWING NO				
MATERIAL	SEE TABLE	CUSTOMER	DRAWING				
FINISH/COLOR	SEE TABLE	LOC	RESTRICTED TO	SIZE	SCALE	SHEET	REV
WEIGHT	-	-	-	A2	5:1	1 OF 1	A