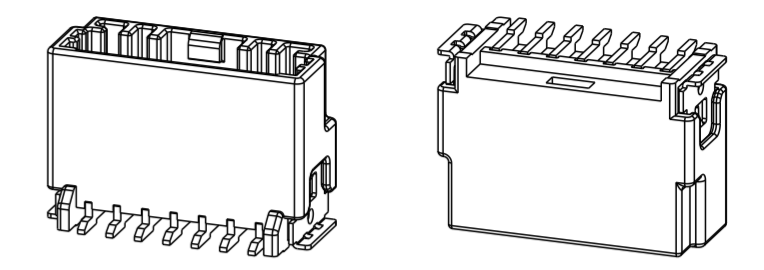
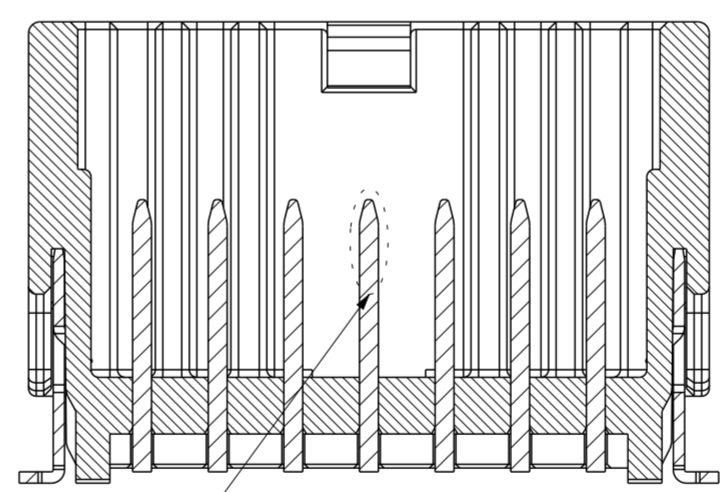
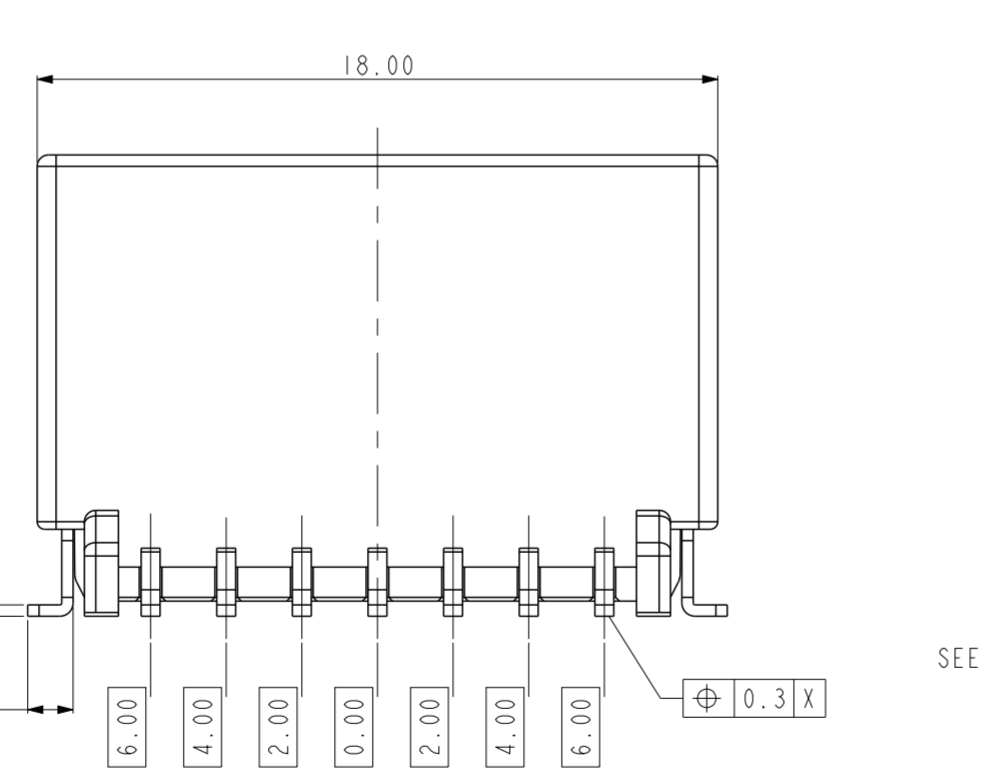
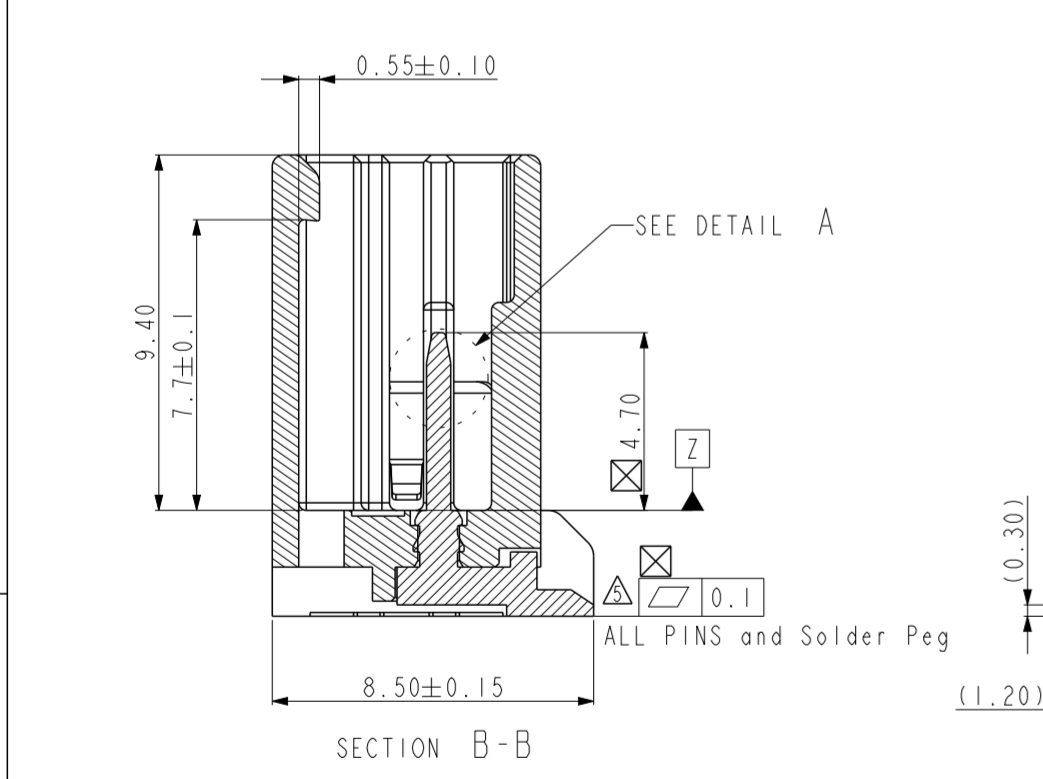
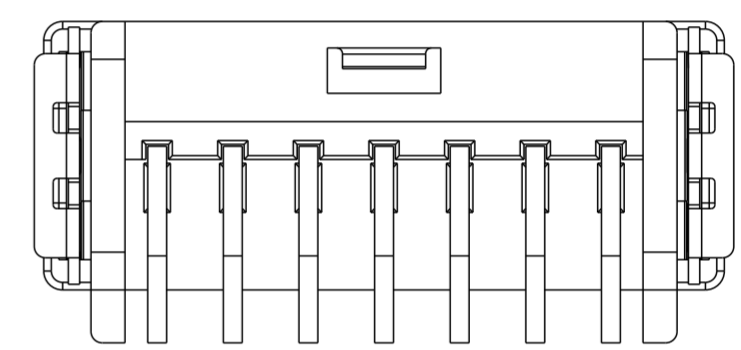
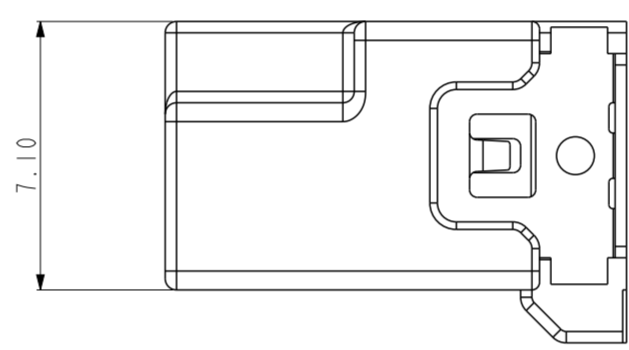
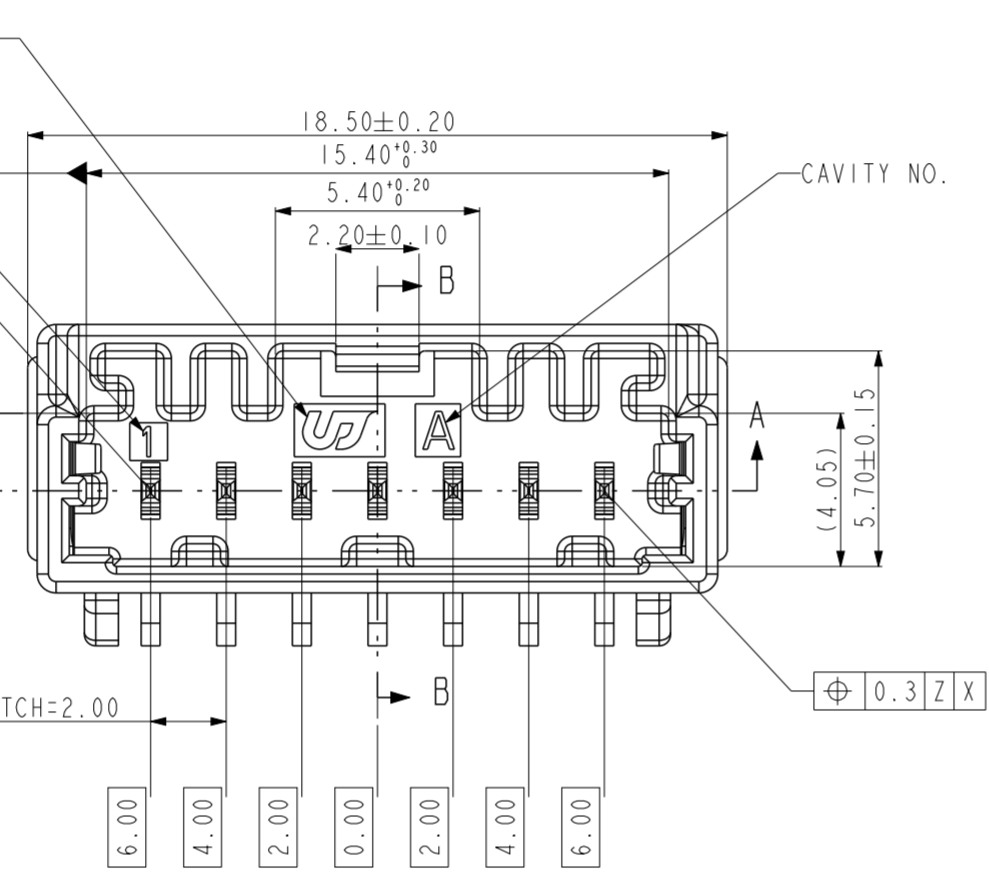
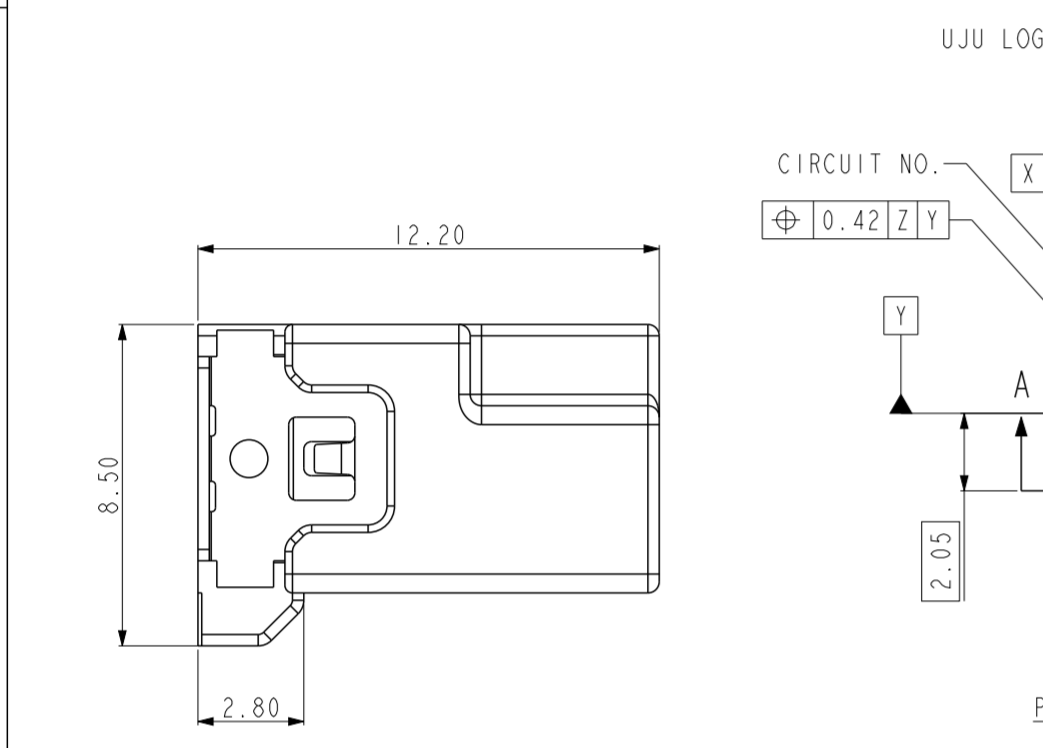


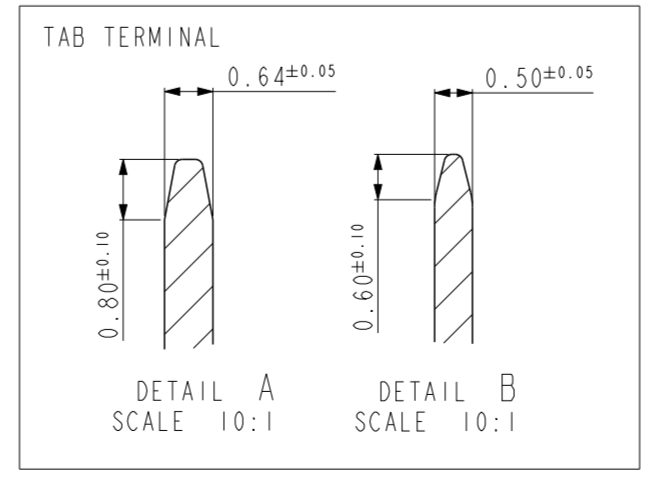
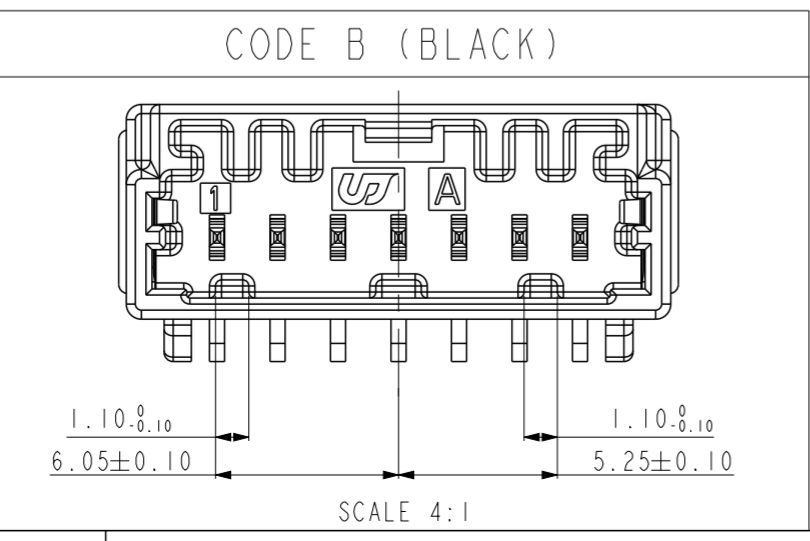
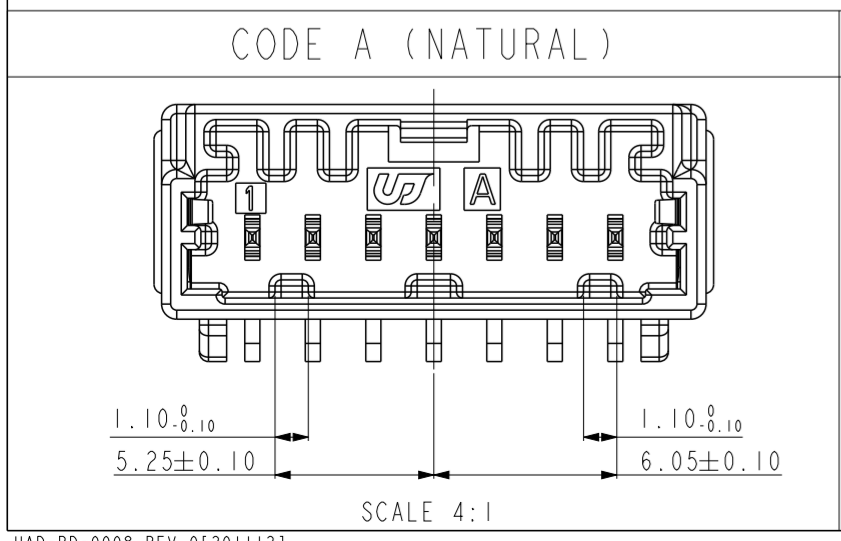
REV	REVISION RECORD	DATE	DRWN	CHKD	APVD
A	RELEASED (RD-2022-106)	11 AUG '22	KC	SJ	CY



ISO VIEW
SCALE 2:1



- NOTE.
- GENERAL TOLERANCE : REFER TO DINI6742 TG5 SPECIFICATION
 - BURR 0.3 MAX.
 - NO CRACK
 - ALL LETTERS SHALL BE CLEAR AND LEGIBLE
 - MEASURING THE DIMENSIONS OF TAB TML AND SOLDER PEG.
 - FINISH TAB TML AND SOLDER PEG
TIN PLATING 2.5~4.0um MATTE
OVER NICKEL PLATING 1.0~2.0um MATTE
Au PLATING MIN 0.38um
 - PACKING : EMBOSS TAPE
 - FLAMMABILITY : UL94 - HB
 - VACUM GRIP AREA FREE OF BURR AND FECTOR PINS. MAXØ4.0mm



NO	DESCRIPTION	MATERIAL	FINISH/COLOR	Q'TY
⑤	020_D_COVER_HSG	LCP (E47Ii)	BLACK	1
④	020 SMT SOLDER PEG-LEFT (HZT)	BRASS	POST-TIN	1
③	020 SMT SOLDER PEG-RIGHT (HZT)	BRASS	POST-TIN	1
②	020 SMT TAB TML(HZT)_Au	BRASS	POST-Au	7
①	020_D_SMT_7M_V_HSG_BK	PA9T GF30	BLACK	1
①	020_D_SMT_7M_V_HSG_NR	PA9T GF30	NATURAL	1

TOLERANCES UNLESS OTHERWISE SPECIFIED	UNIT MM
0	THIRD ANGLE PROJECTION
0.0	SEE TABLE
0.00	SEE TABLE
0.000	SEE TABLE
0.0000	SEE TABLE
ANGLES	
PRODUCT SPEC	APPLICATION SPEC
-	-

DRWN	KC.HAN	(주)우주 일렉트로닉스 UJU Electronics co.,Ltd.	NAME					
CHKD	SJ.LEE		020_D_SMT_7M_V_ASSY_Au_G					
APVD	CY.CHOI		CUSTOMER	DRAWING NO				
MATERIAL	SEE TABLE	DRAWING	KH2110120					
FINISH/COLOR	SEE TABLE	WEIGHT	LOC	RESTRICTED TO	SIZE	SCALE	SHEET	REV
		-	-	-	A2	5:1	1 OF 1	A