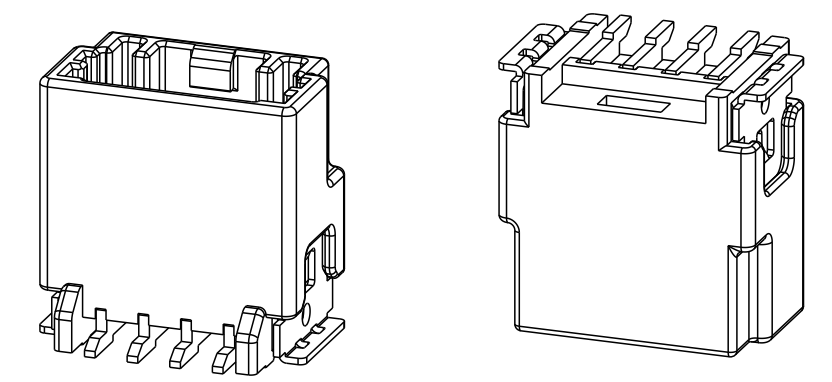
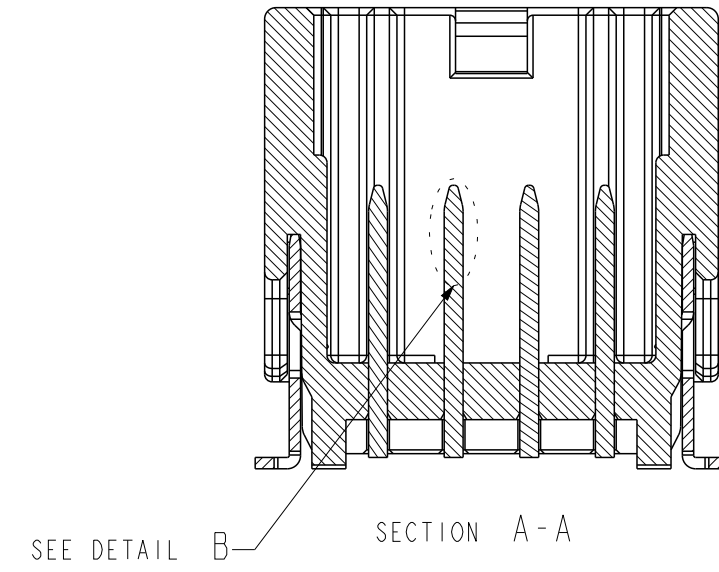
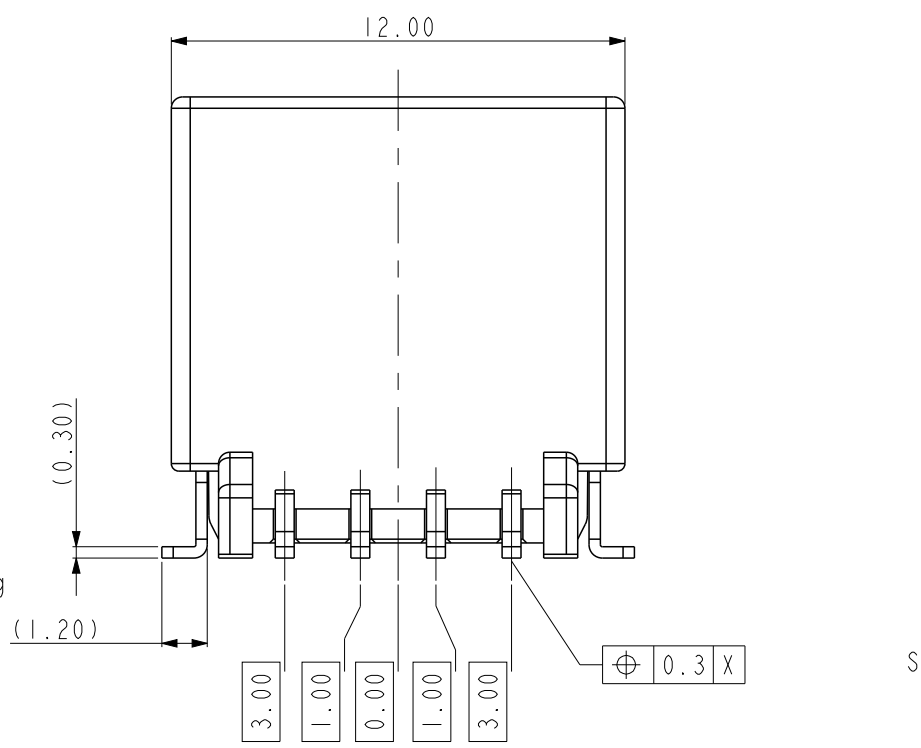
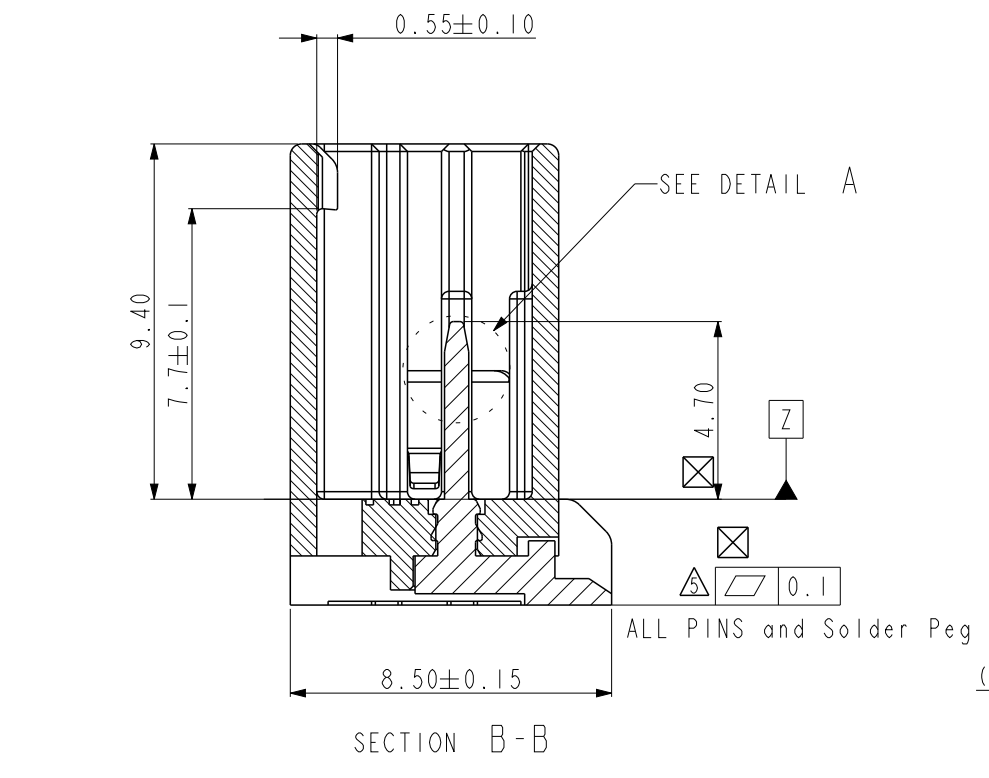
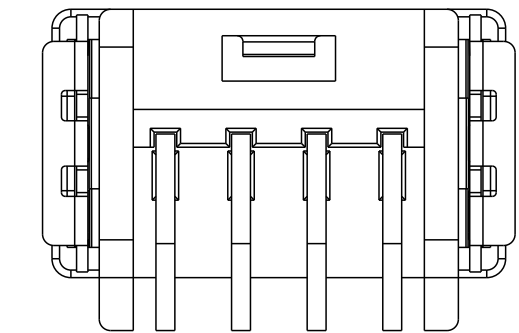
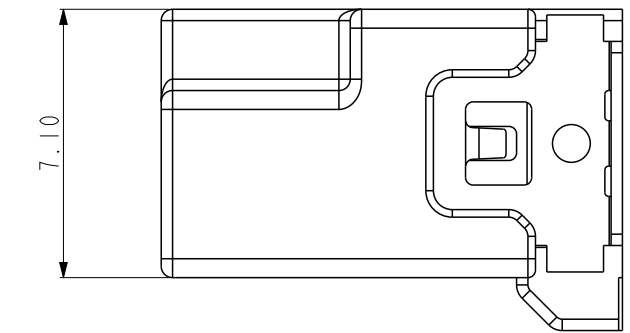
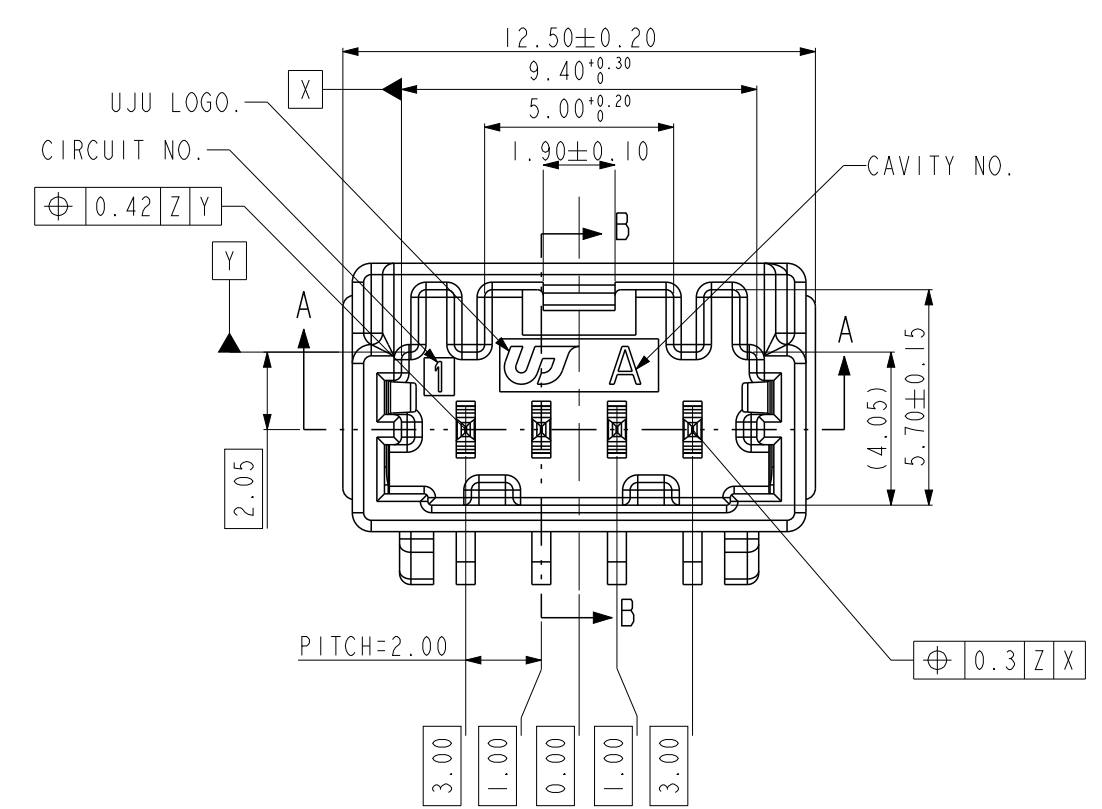
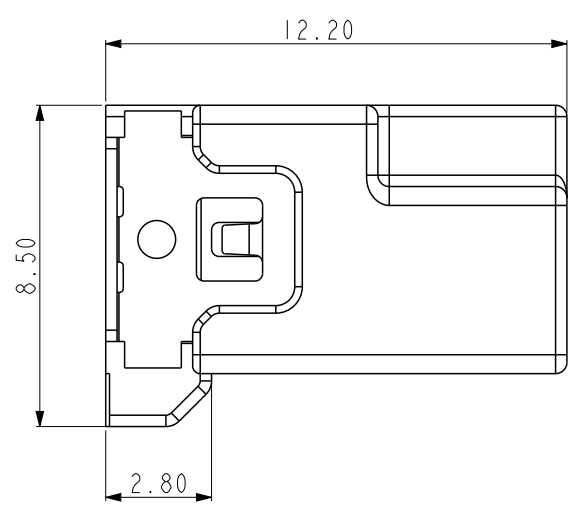


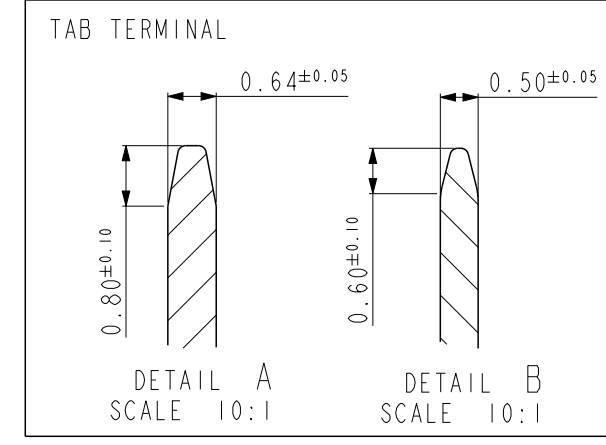
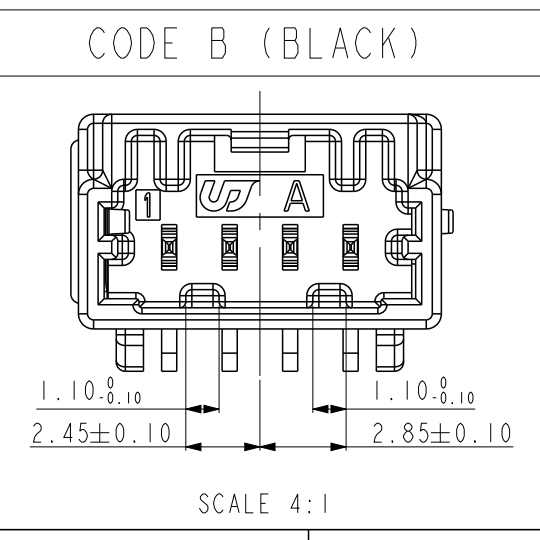
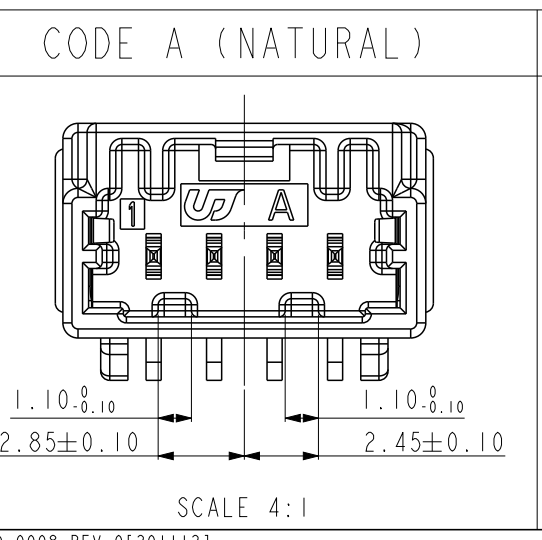
REV	REVISION RECORD	DATE	DRWN	CHKD	APVD
A	RELEASED (RD-2022-106)	11 AUG '22	KC	SJ	CY



ISO VIEW
SCALE 3:1



- NOTE.
1. GENERAL TOLERANCE :REFER TO DIN16742 TG5 SPECIFICATION
 2. BURR 0.3 MAX.
 3. NO CRACK
 4. ALL LETTERS SHALL BE CLEAR AND LEGIBLE
 5. MEASURING THE DIMENSIONS OF TAB TML AND SOLDER PEG.
 6. FINISH TAB TML AND SOLDER PEG
TIN PLATING 2.5-4.0um MATTE
OVER NICKEL PLATING 1.0-2.0um MATTE
Au PLATING MIN. 0.38um
 7. PACKING : EMOSS TAPE
 8. FLAMMABILITY : UL94 - HB
 9. VACUM GRIP AREA FREE OF BURR AND FECTOR PINS. MAXØ4.0mm



NO	DESCRIPTION	MATERIAL	FINISH/COLOR	Q'TY
5	020_D_COVER_HSG_BK	LCP (E471i)	BLACK	1
4	020 SMT SOLDER PEG-LEFT (VTC)	BRASS	POST-TIN	1
3	020 SMT SOLDER PEG-RIGHT (VTC)	BRASS	POST-TIN	1
2	020 SMT TAB TML (VTC)_Au	BRASS	POST-Au	4
1	020_D_SMT_4M_V_HSG_BK	PA9T GF30	BLACK	1
1	020_D_SMT_4M_V_HSG_NR	PA9T GF30	NATURAL	1

TOLERANCES UNLESS OTHERWISE SPECIFIED	UNIT MM
0	THIRD ANGLE PROJECTION
0.0	SEE TABLE
0.00	SEE TABLE
0.000	SEE TABLE
0.0000	SEE TABLE
ANGLES	
PRODUCT SPEC	APPLICATION SPEC
-	-

DRWN	KC.HAN	 (주)우주 일렉트로닉스 UJU Electronics co.,Ltd.	NAME			
CHKD	SJ.LEE		020_D_SMT_4M_V_ASSY_Au_G			
APVD	CY.CHOI		CUSTOMER DRAWING		DRAWING NO	
MATERIAL		SEE TABLE		KH2110117		
FINISH/COLOR		SEE TABLE		LOC	RESTRICTED TO	
WEIGHT		-	SIZE	SCALE	SHEET	
		-	A2	5:1	1 OF 1	
		-	REV	A		

ASSY DESCRIPTION	CODE	ASS'Y PART NO.	REV.
020_D_SMT_4M_V_ASSY_BK_Au_G	B	KH2110117-21	1
020_D_SMT_4M_V_ASSY_NR_Au_G	A	KH2110117-10	1