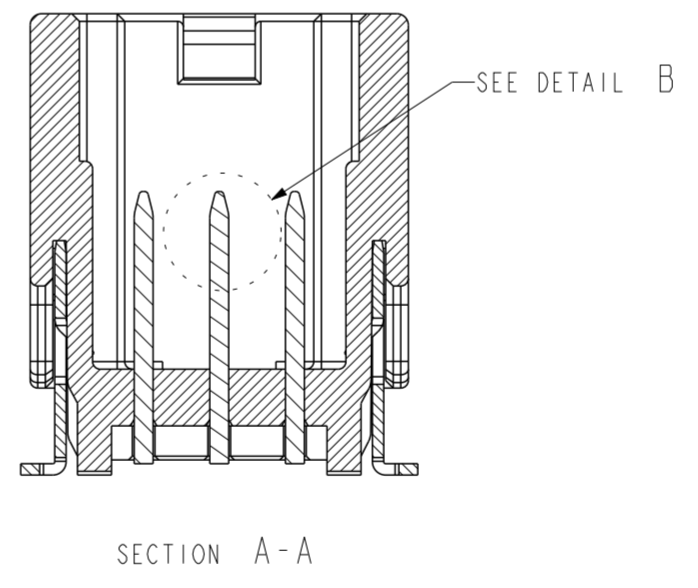
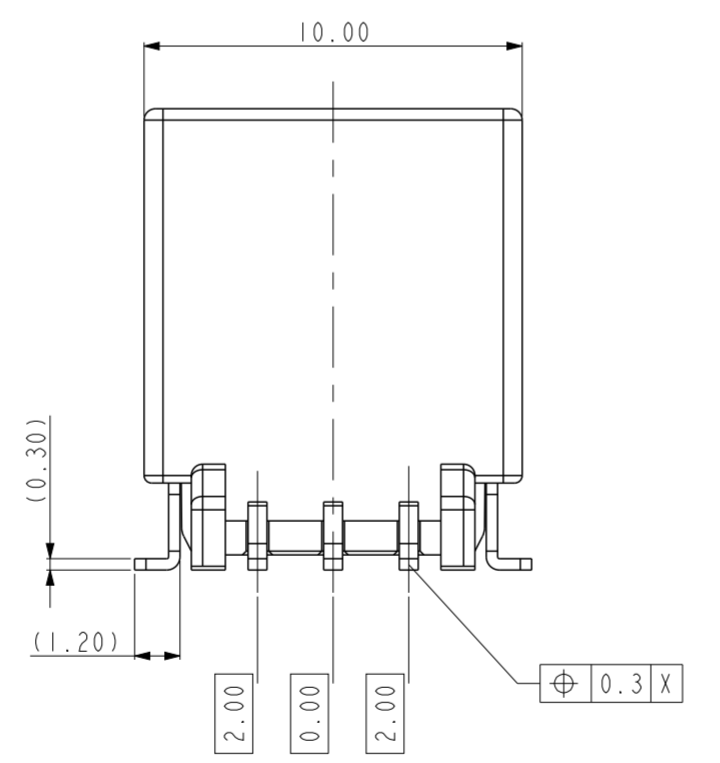
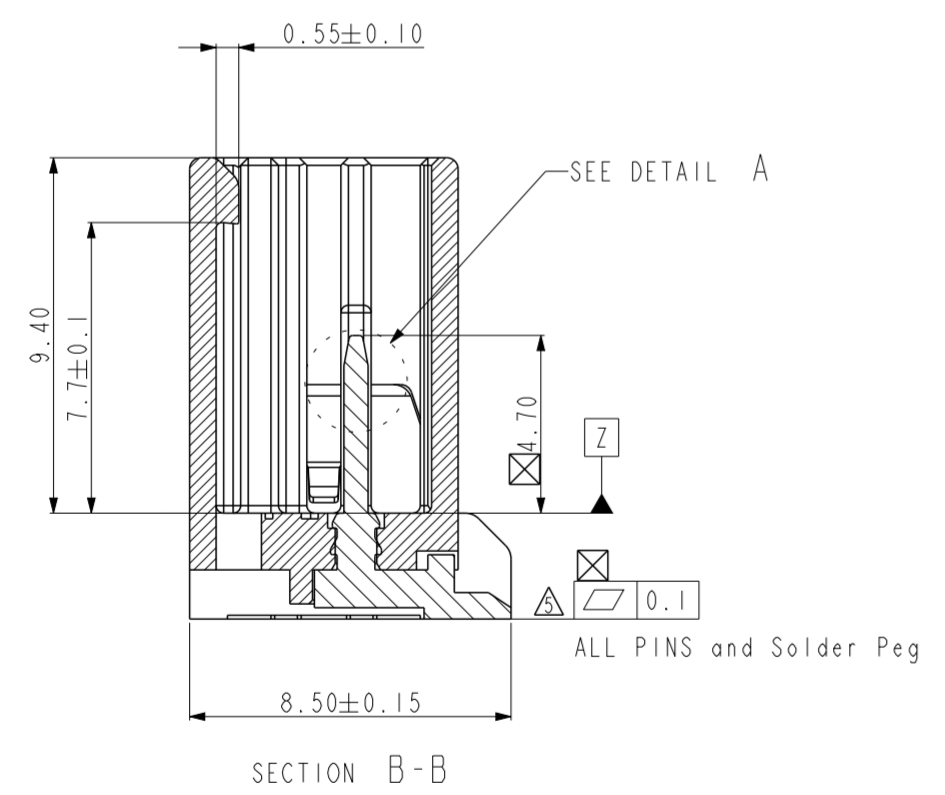
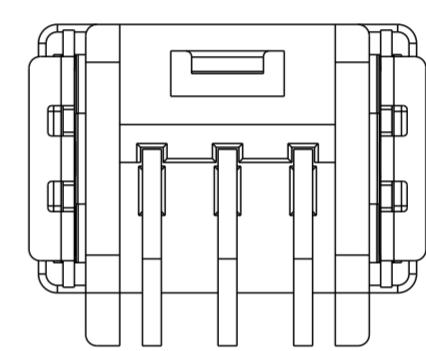
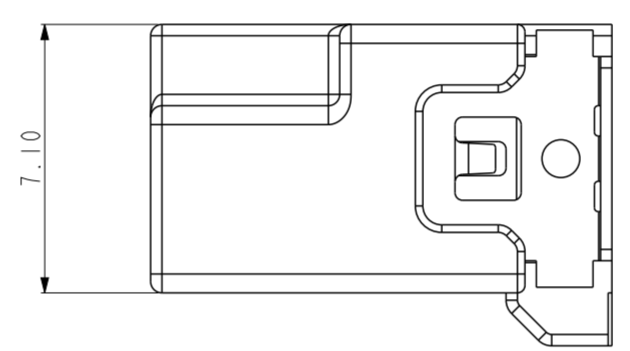
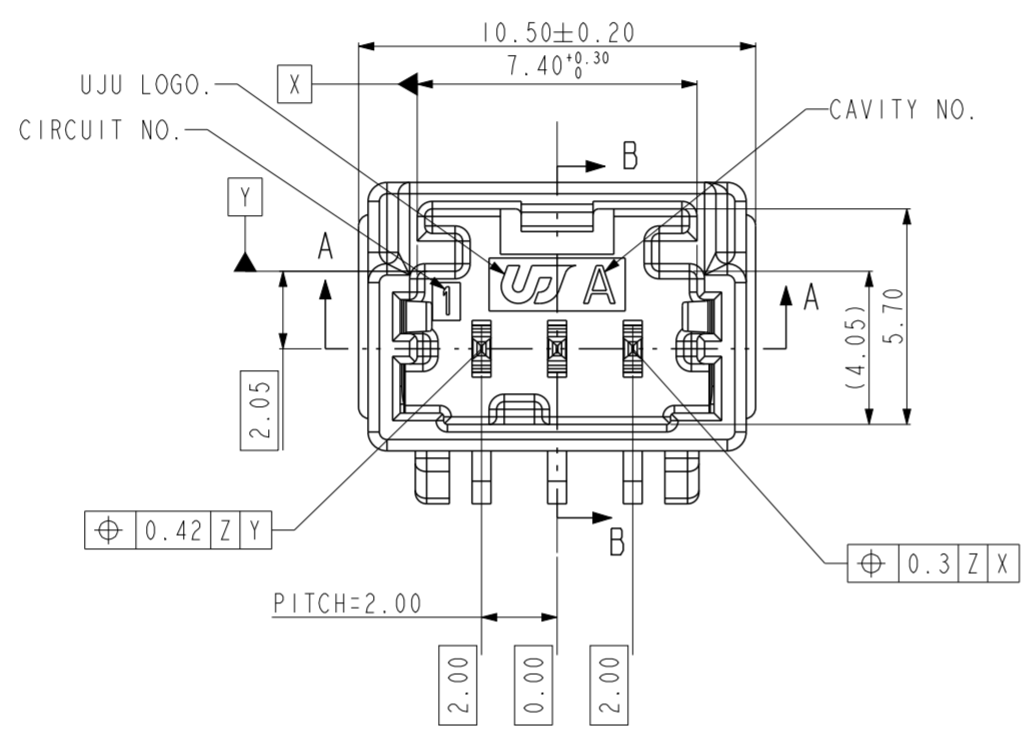
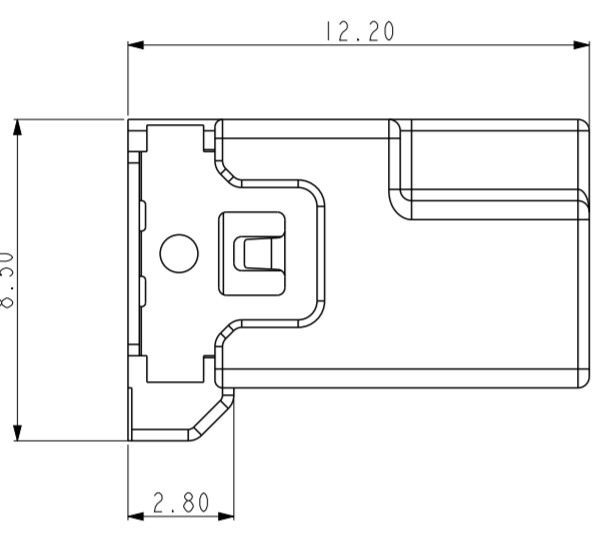
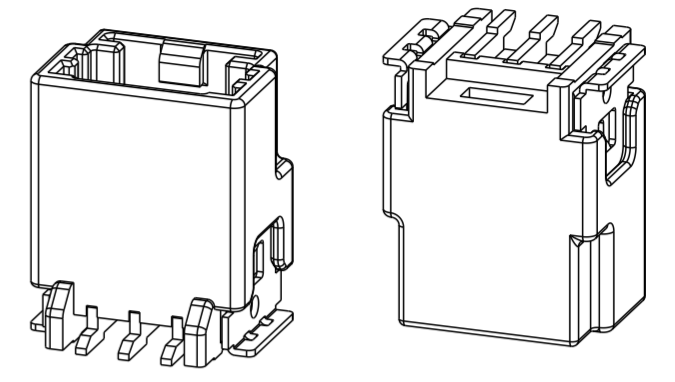
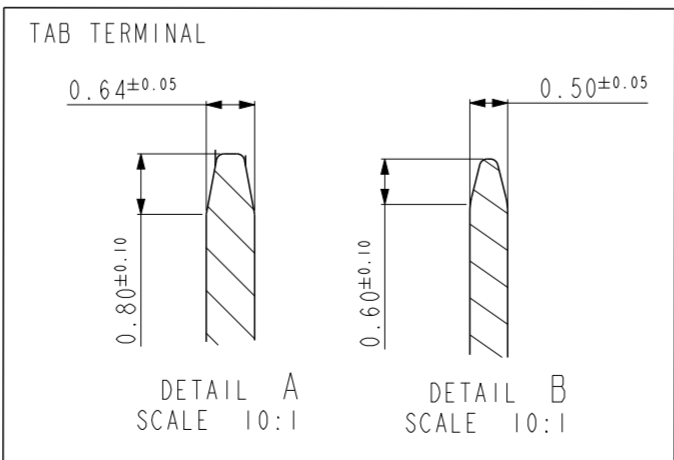
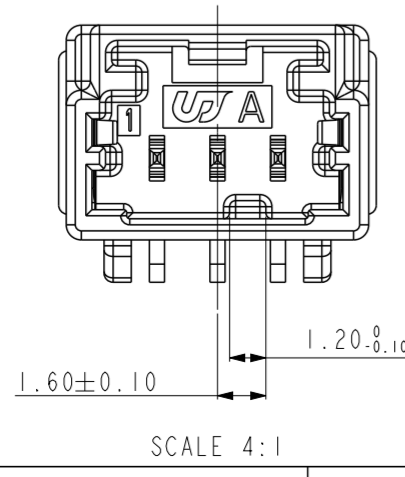
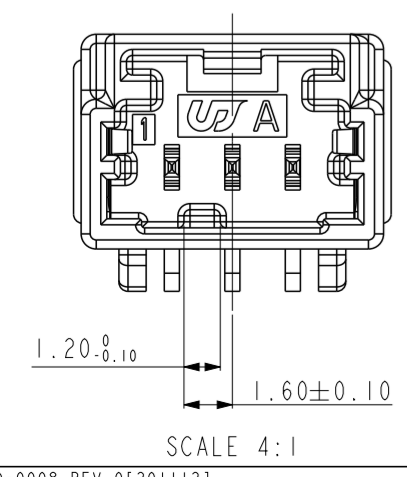


REV	REVISION RECORD	DATE	DRWN	CHKD	APVD
A	RELEASED (RD-2022-106)	11 AUG '22	KC	SJ	CY



- NOTE.
- GENERAL TOLERANCE : REFER TO DIN16742 TG5 SPECIFICATION
 - BURR 0.3 MAX.
 - NO CRACK
 - ALL LETTERS SHALL BE CLEAR AND LEGIBLE
 - MEASURING THE DIMENSIONS OF TAB TML AND SOLDER PEG.
 - FINISH TAB TML AND SOLDER PEG
TIN PLATING : 2.5~4.0um MATTE OVER NICKEL PLATING
1.0~2.0um MATTE
Au PLATING MIN. 0.38um
 - PACKING : EMBOSS TAPE
 - FLAMMABILITY : UL94 - HB
 - VACUM GRIP AREA FREE OF BURR AND FACTOR PINS. MAX Ø4.0mm

CODE A (NATURAL) CODE B (BLACK)



NO	DESCRIPTION	MATERIAL	FINISH/COLOR	Q'TY
⑤	020_D_COVER_HSG_BK	LCP (E471i)	BLACK	1
④	020 SMT SOLDER PEG-L (VTC)	BRASS	POST-TIN	1
③	020 SMT SOLDER PEG-R (VTC)	BRASS	POST-TIN	1
②	020 SMT TAB TML(VTC)_Au	BRASS	POST-Au	3
①	020_D_SMT_3M_V_HSG_BK	PA9T GF30	BLACK	1
	020_D_SMT_3M_V_HSG_NR	PA9T GF30	NATURAL	1

DRWN	KC.HAN	(주)우주 일렉트로닉스 UJU Electronics co.,Ltd.	NAME						
CHKD	SJ.LEE		020_D-SMT_3M_V_ASSY_Au_G						
APVD	CY.CHOI	MATERIAL	SEE TABLE	CUSTOMER	DRAWING NO				
TOLERANCES UNLESS OTHERWISE SPECIFIED 0 ± 0.0 ± 0.00 ± 0.000 ± 0.0000 ± ANGLES ±	UNIT	MM		DRAWING	KH2110116				
	THIRD ANGLE PROJECTION	APPLICATION SPEC				WEIGHT	LOC	RESTRICTED TO	SIZE
PRODUCT SPEC	-	-	-	-	-	A2	5:1	1 OF 1	A