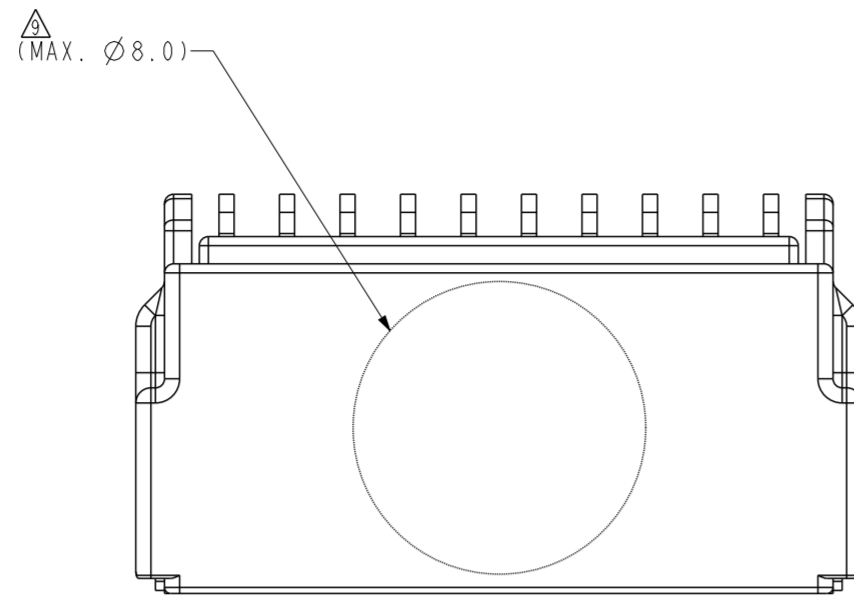
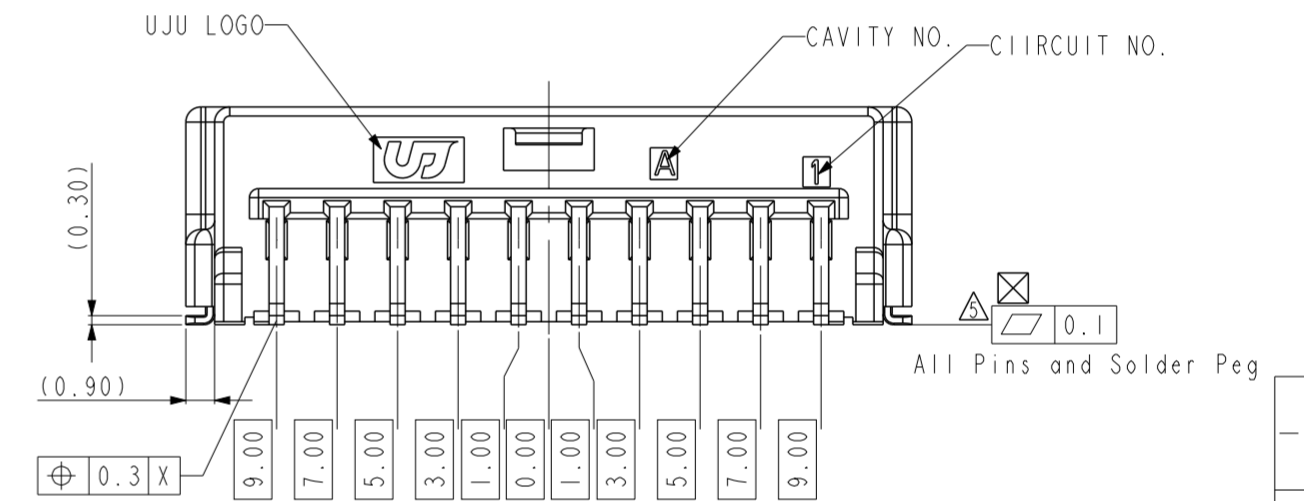
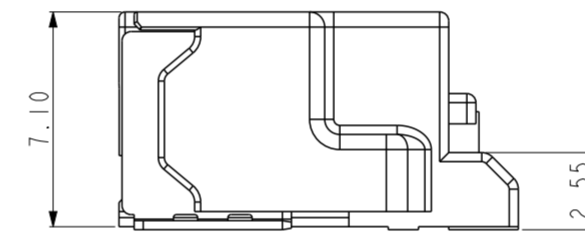
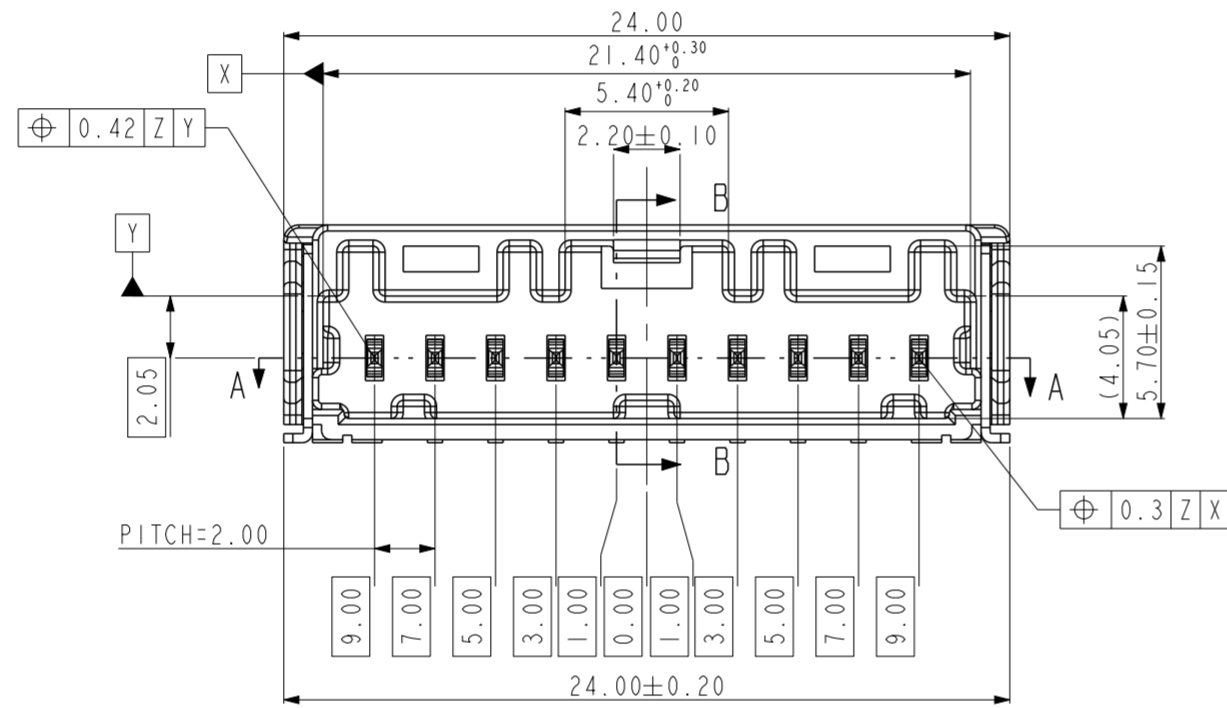
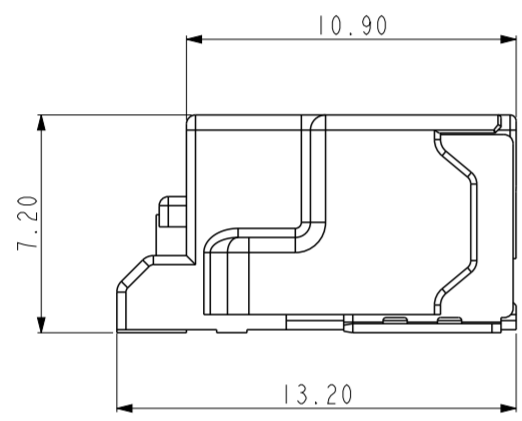


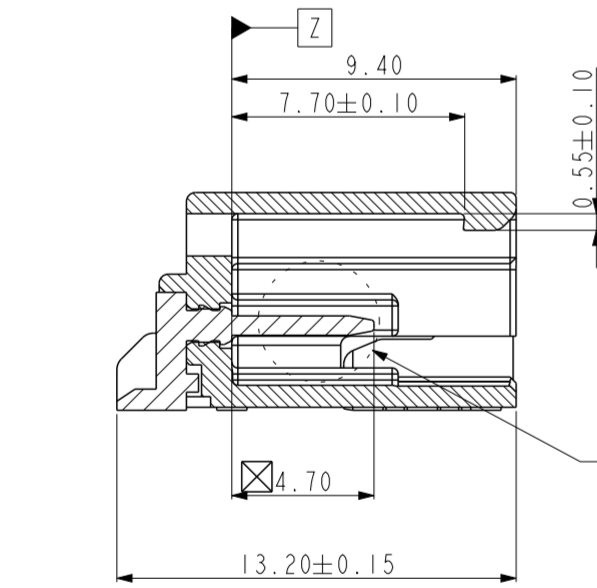
SECTION A-A



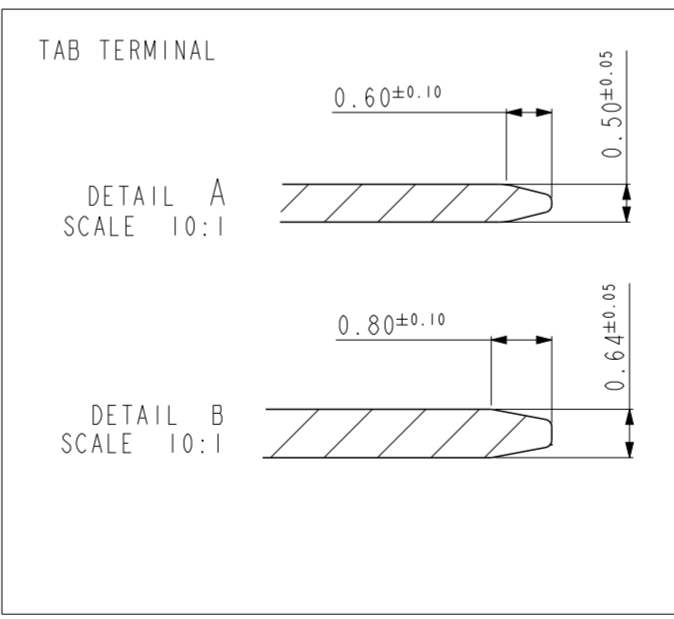
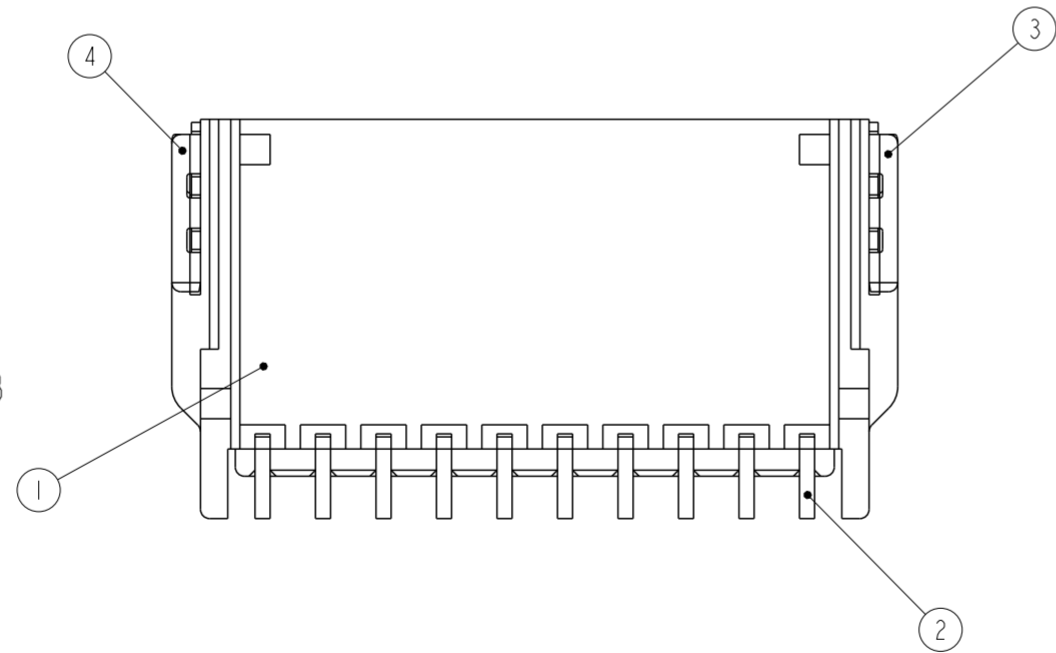
SEE DETAIL A



ISO VIEW
SCALE 2:1



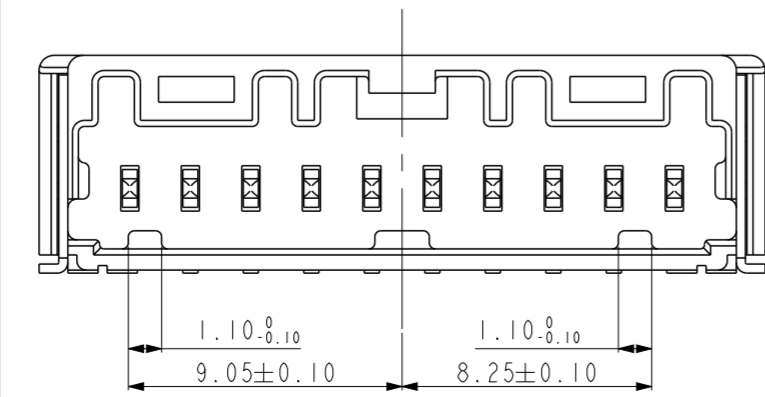
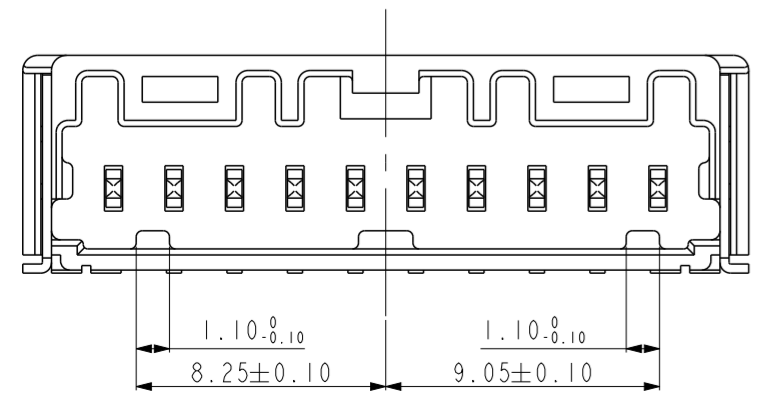
SECTION B-B



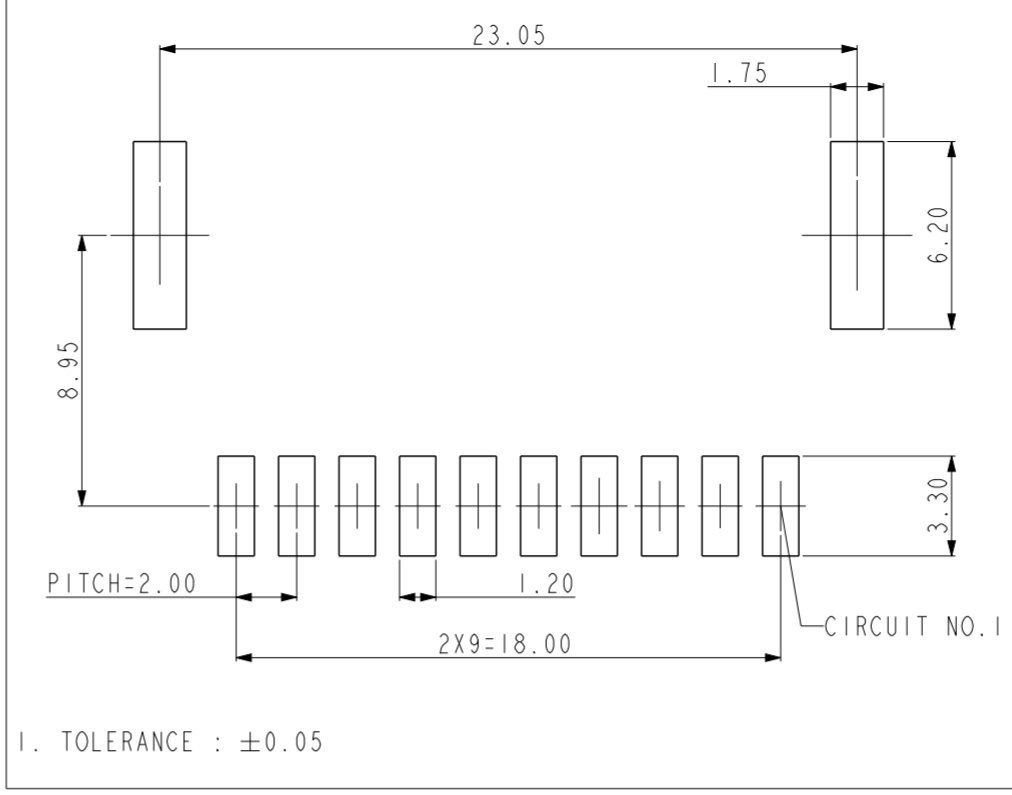
- NOTE.
1. GENERAL TOLERANCE : REFER TO DINI6742 T65 SPECIFICATION
 2. BURR 0.3 MAX.
 3. NO CRACK
 4. ALL LETTERS SHALL BE CLEAR AND LEGIBLE
 5. MEASURING THE DIMENSIONS OF TAB TML AND SOLDER PEG.
 6. FINISH TAB TML AND SOLDER PEG
TIN PLATING : 2.5-4.0um MATTE OVER NICKEL PLATING 1.0-2.0um MATTE
Au PLATING MIN. 0.38um
 7. PACKING : EMBOSS TAPE
 8. FLAMMABILITY : UL94 - HB
 9. VACUM GRIP AREA FREE OF BURR AND FECTOR PINS. MAX Ø8.0mm

CODE A (NATURAL)

CODE B (BLACK)

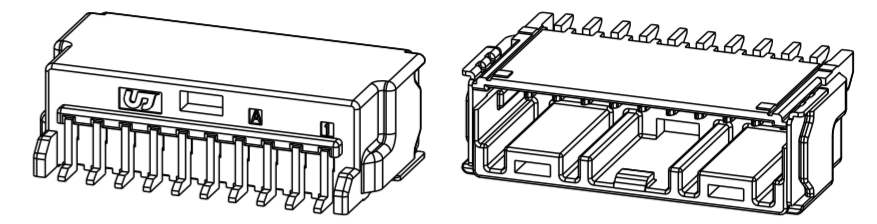


PCB PATTERN



1. TOLERANCE : ±0.05

REV	REVISION RECORD	DATE	DRWN	CHKD	APVD
A	RELEASED (RD-2022-106)	11 AUG '22	KC	SJ	CY



4

3

2

NO	DESCRIPTION	MATERIAL	FINISH/COLOR	Q'TY
④	020 SMT SOLDER PEG-LEFT (H2T)	BRASS	POST-TIN	1
③	020 SMT SOLDER PEG-RIGHT (H2T)	BRASS	POST-TIN	1
②	020 SMT TAB TML (H2T)_Au	BRASS	POST-Au	10
①	020_D_SMT_10M_H_HSG_BK	PA9T GF30	BLACK	1
①	020_D_SMT_10M_H_HSG_NR	PA9T GF30	NATURAL	1

CODE	ASSY PART NO.	REV.
B	KH2110115-21	1
A	KH2110115-10	1

CONTROL PRIORITY DIMENSION ■ CRITICAL □ MAJOR □ MINOR		DRWN KC.HAN	(주)우주 일렉트로닉스 UJU Electronics co.,Ltd.			
TOLERANCES UNLESS OTHERWISE SPECIFIED 0 ± 0.0 ± 0.00 ± 0.000 ± 0.0000 ± ANGLES ±		CHKD S.J.LEE				
UNIT MM		APVD CY.CHOI	DRAWING NO KH2110115		REV A	
THIRD ANGLE PROJECTION		MATERIAL SEE TABLE	CUSTOMER DRAWING			
PRODUCT SPEC		FINISH/COLOR SEE TABLE	LOC	RESTRICTED TO	SIZE A2	
APPLICATION SPEC		WEIGHT	SCALE 4:1	SHEET 1 OF 1		

D

C

B

A

1