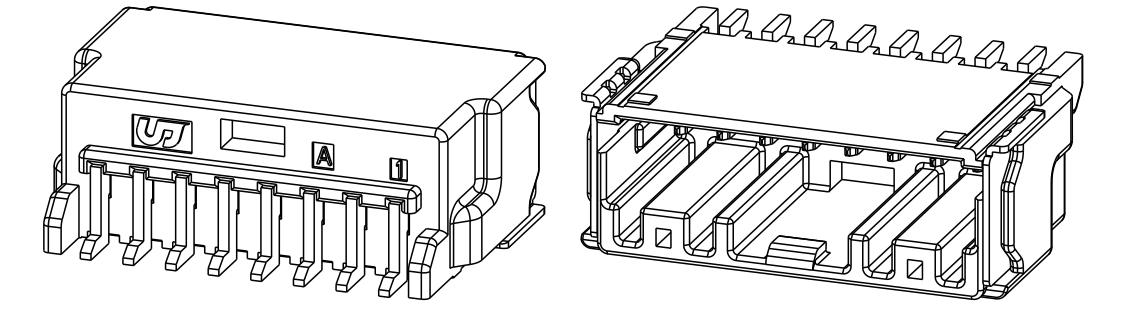
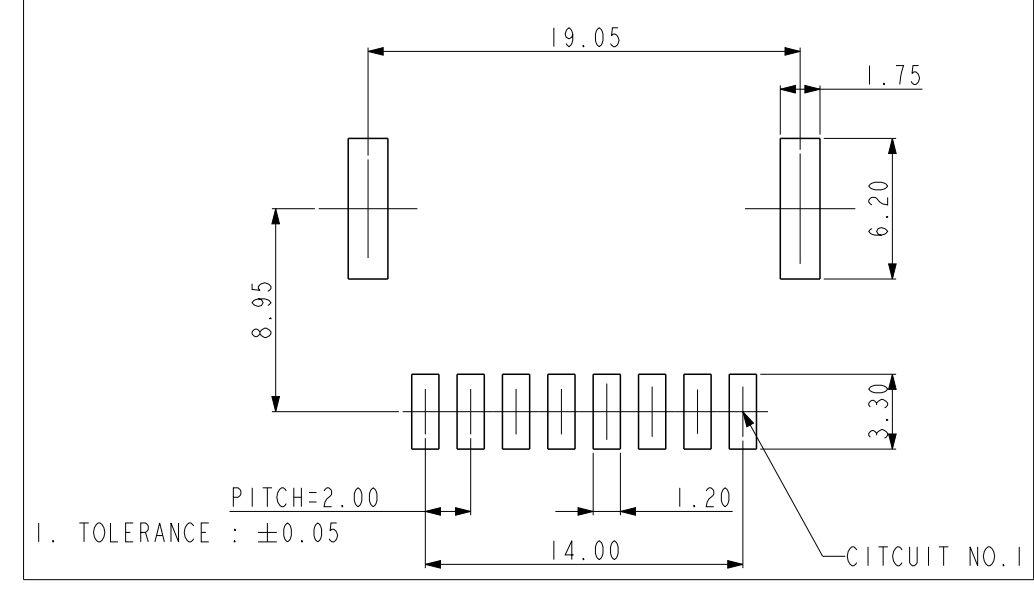
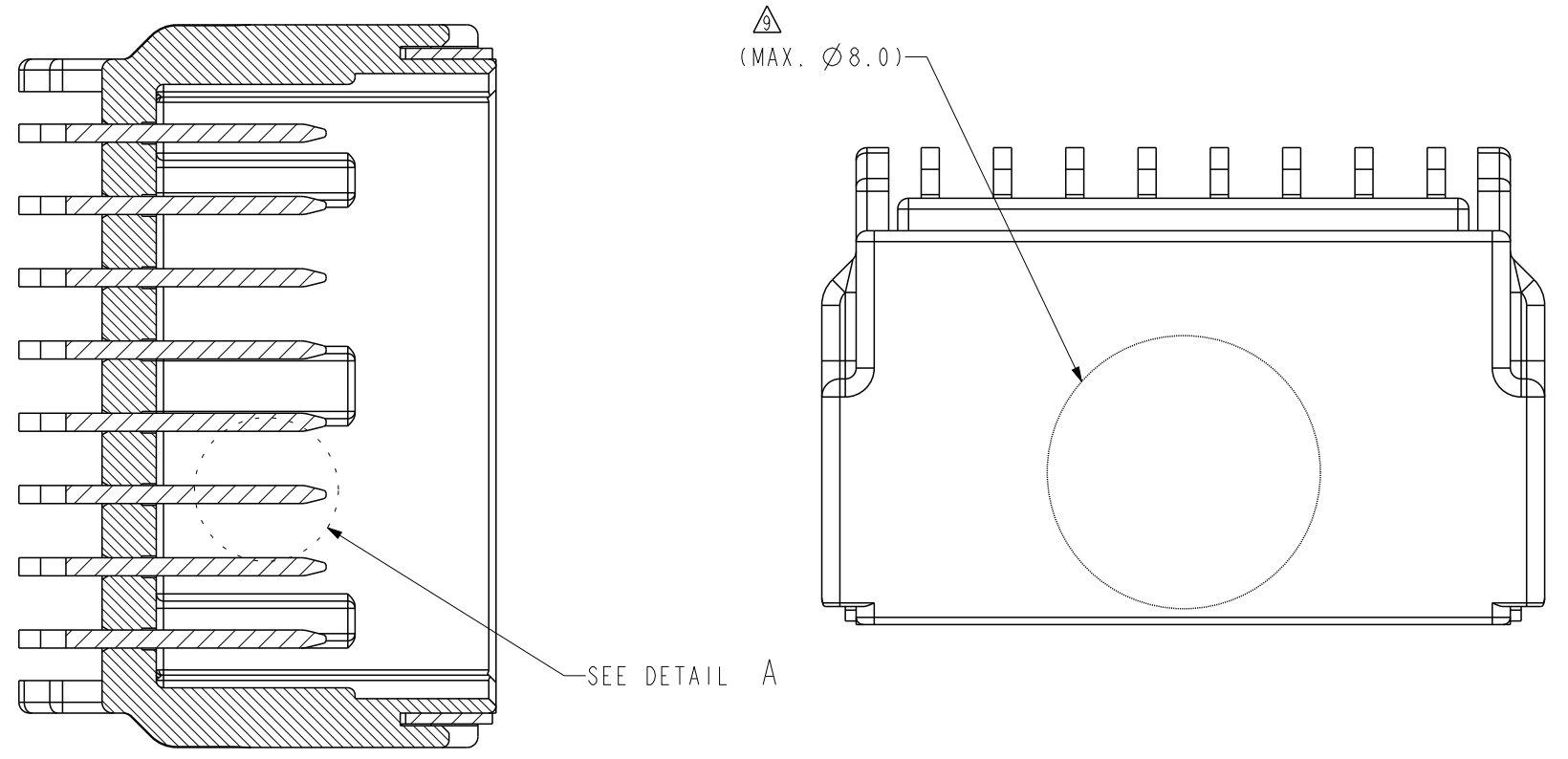


REV	REVISION RECORD	DATE	DRWN	CHKD	APVD
A	ENGINEERING RELEASED (RD-2022-106)	11 AUG '22	KC	SJ	CY

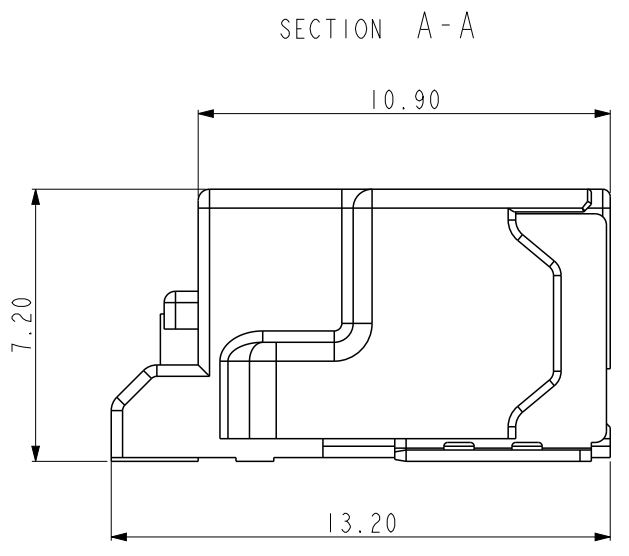
PCB PATTERN



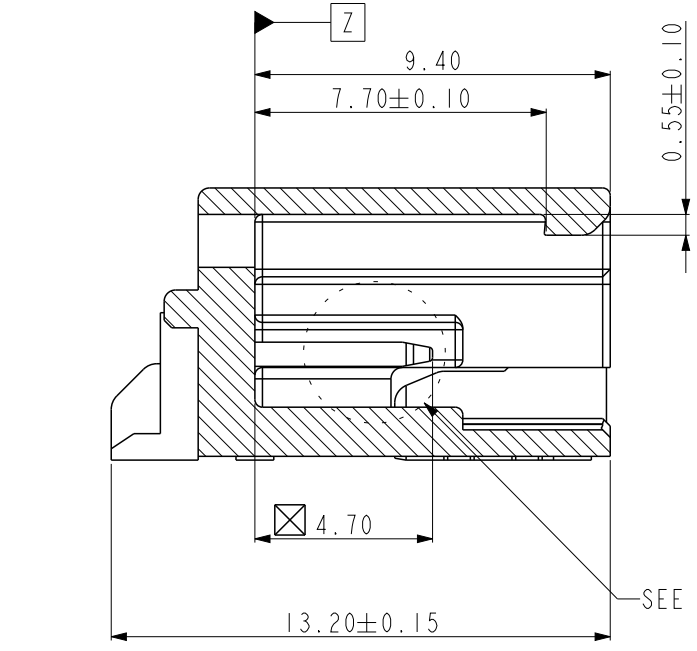
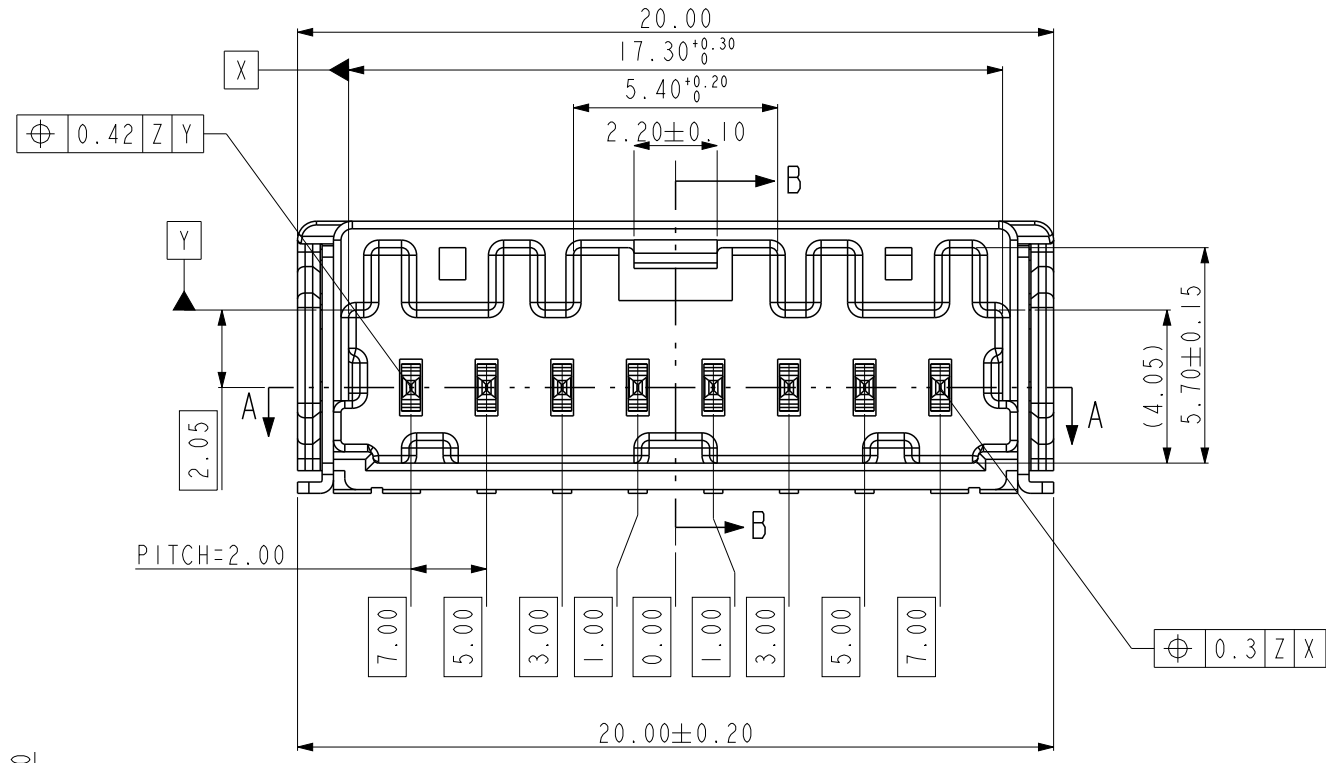
ISO VIEW  
SCALE 3:1



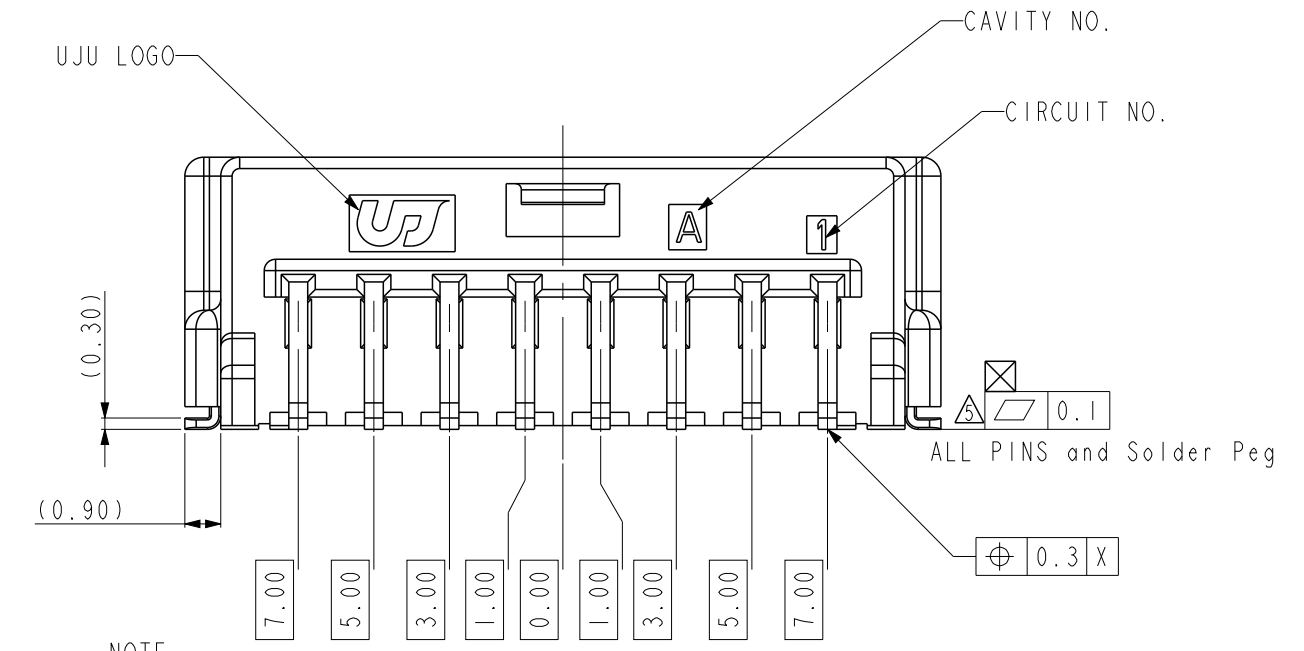
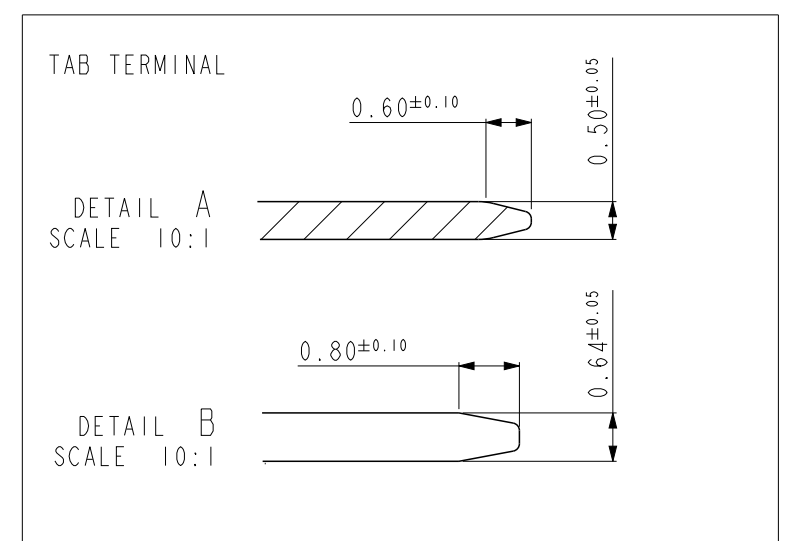
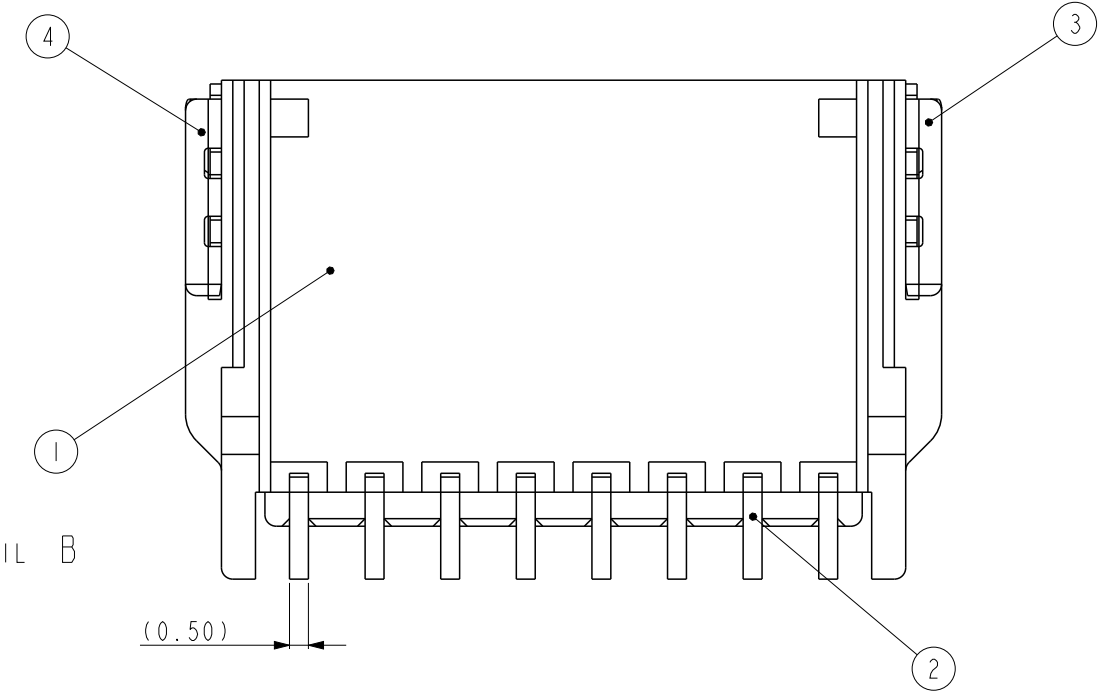
SEE DETAIL A



SECTION A-A



SECTION B-B

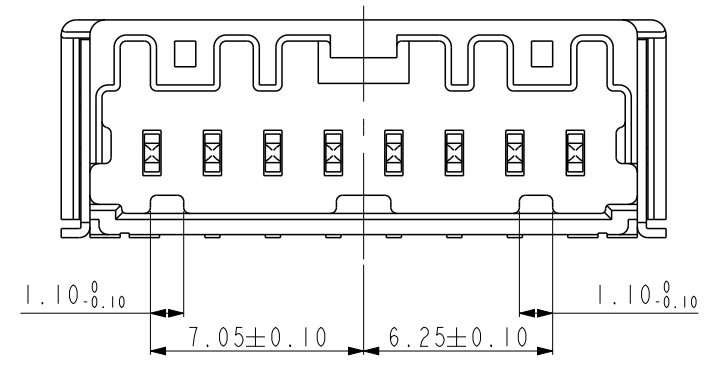


NOTE.

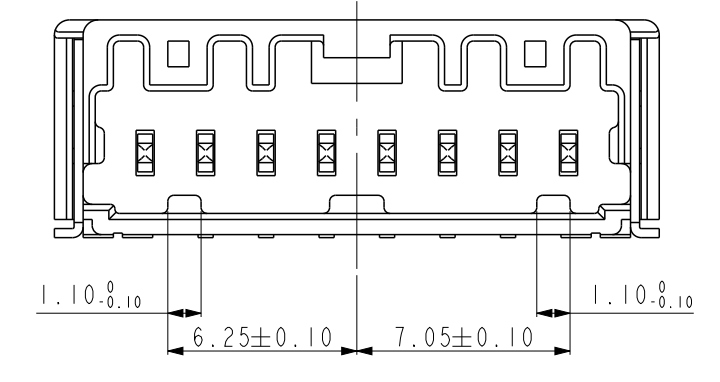
- GENERAL TOLERANCE : REFER TO DIN 16742 TG5 SPECIFICATION.
- BURR 0.3 MAX.
- NO CRACK
- ALL LETTERS SHALL BE CLEAR AND LEGIBLE
- MEASURING THE DIMENSIONS OF TAB TML AND SOLDER PEG.
- FINISH TAB TML AND SOLDER PEG  
TIN PLATING : 2.0-4.0um MATTE OVER NICKEL PLATING 0.8-2.0um MATTE  
Au PLATING MIN. 0.38um
- PACKING : EMBOSS TAPE
- FLAMMABILITY : UL94 - HB
- VACUM GRIP AREA FREE OF BURR AND FECTOR PINS. MAX Ø8.0mm

CODE A (NATURAL)

CODE B (BLACK)



SCALE 4:1



SCALE 4:1

NO	DESCRIPTION	MATERIAL	FINISH/COLOR	Q'TY
④	020 SMT SOLDER PEG-LEFT (H2T)	BRASS	POST-TIN	1
③	020 SMT SOLDER PEG-RIGHT (H2T)	BRASS	POST-TIN	1
②	020 SMT TAB TML(H2T)_Au	BRASS	POST-Au	8
①	020_D-SMT_8M_H-HSG_BK	PA9T-GF30	BLACK	1
①	020_D-SMT_8M_H-HSG_NR	PA9T-GF30	NATURAL	1

TOLERANCES UNLESS OTHERWISE SPECIFIED	UNIT MM
0	THIRD ANGLE PROJECTION
0.0	
0.00	
0.000	
0.0000	
ANGLES	
PRODUCT SPEC	APPLICATION SPEC
-	-

DRWN	KC.HAN
CHKD	SJ.LEE
APVD	CY.CHOI
MATERIAL	SEE TABLE
FINISH/COLOR	SEE TABLE
WEIGHT	-

(주)우주 일렉트로닉스 UJU Electronics co.,Ltd.	
NAME	
020_D-SMT_8M_H_ASSY_Au_G	
CUSTOMER	DRAWING NO
	KH2110114
LOC	RESTRICTED TO
-	-
SIZE	SCALE
A2	5:1
SHEET	REV
1 OF 1	A