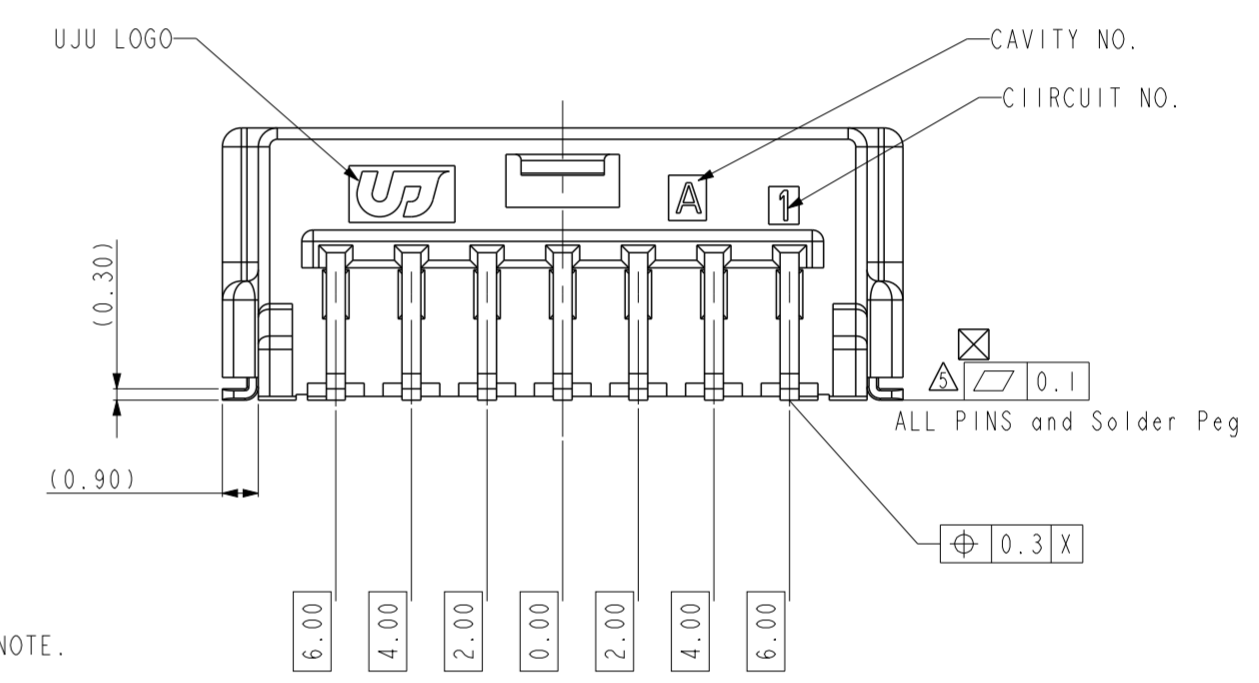
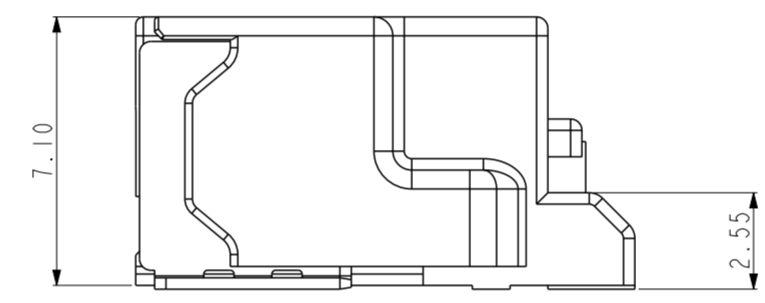
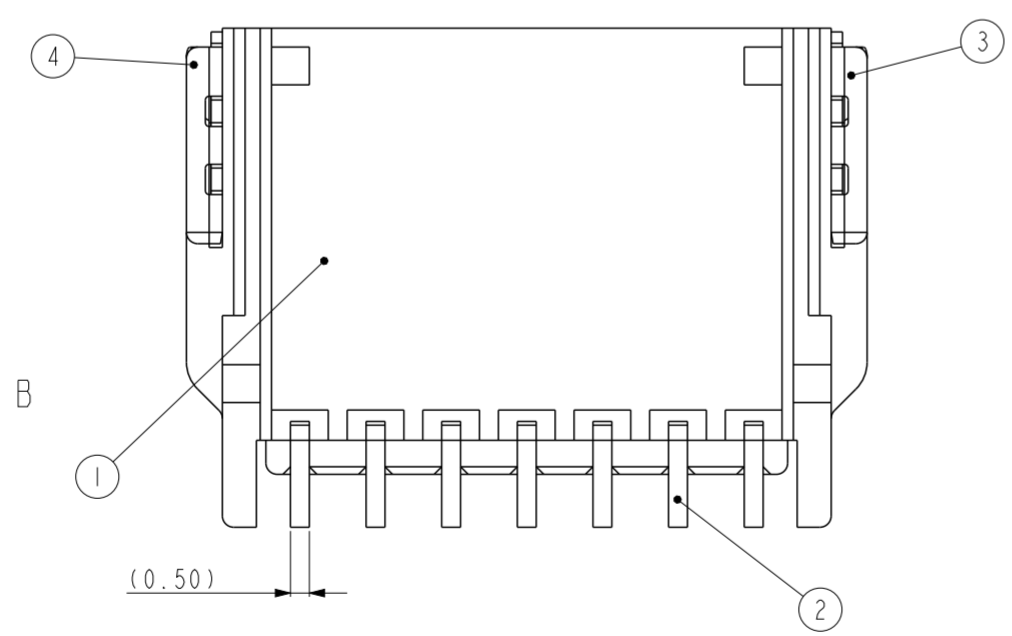
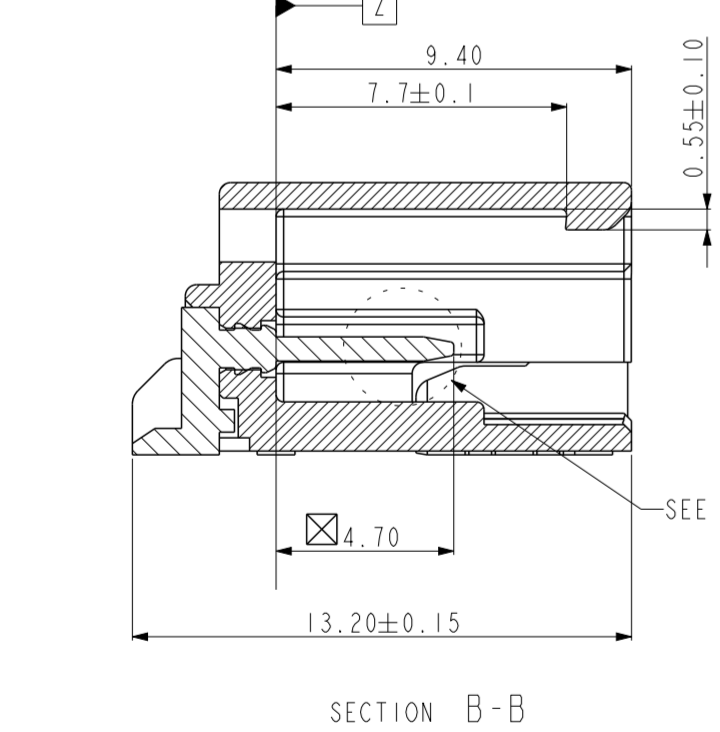
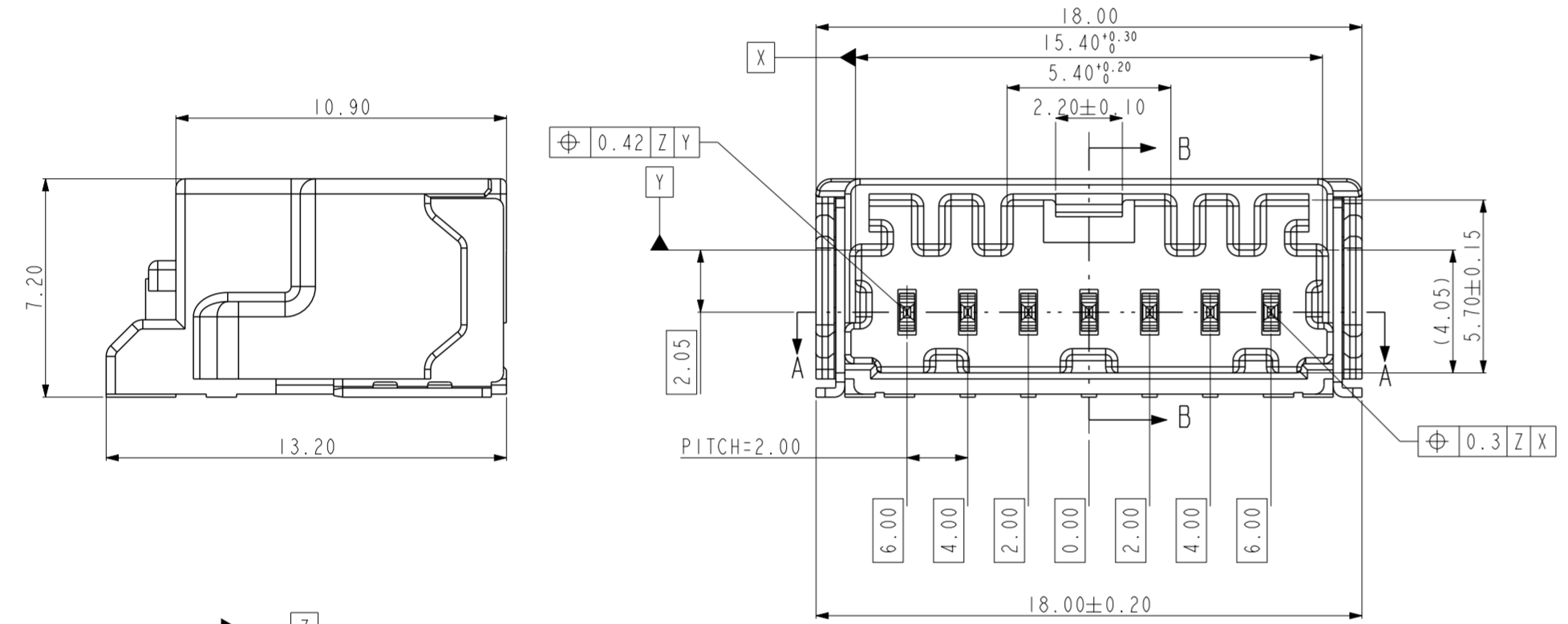
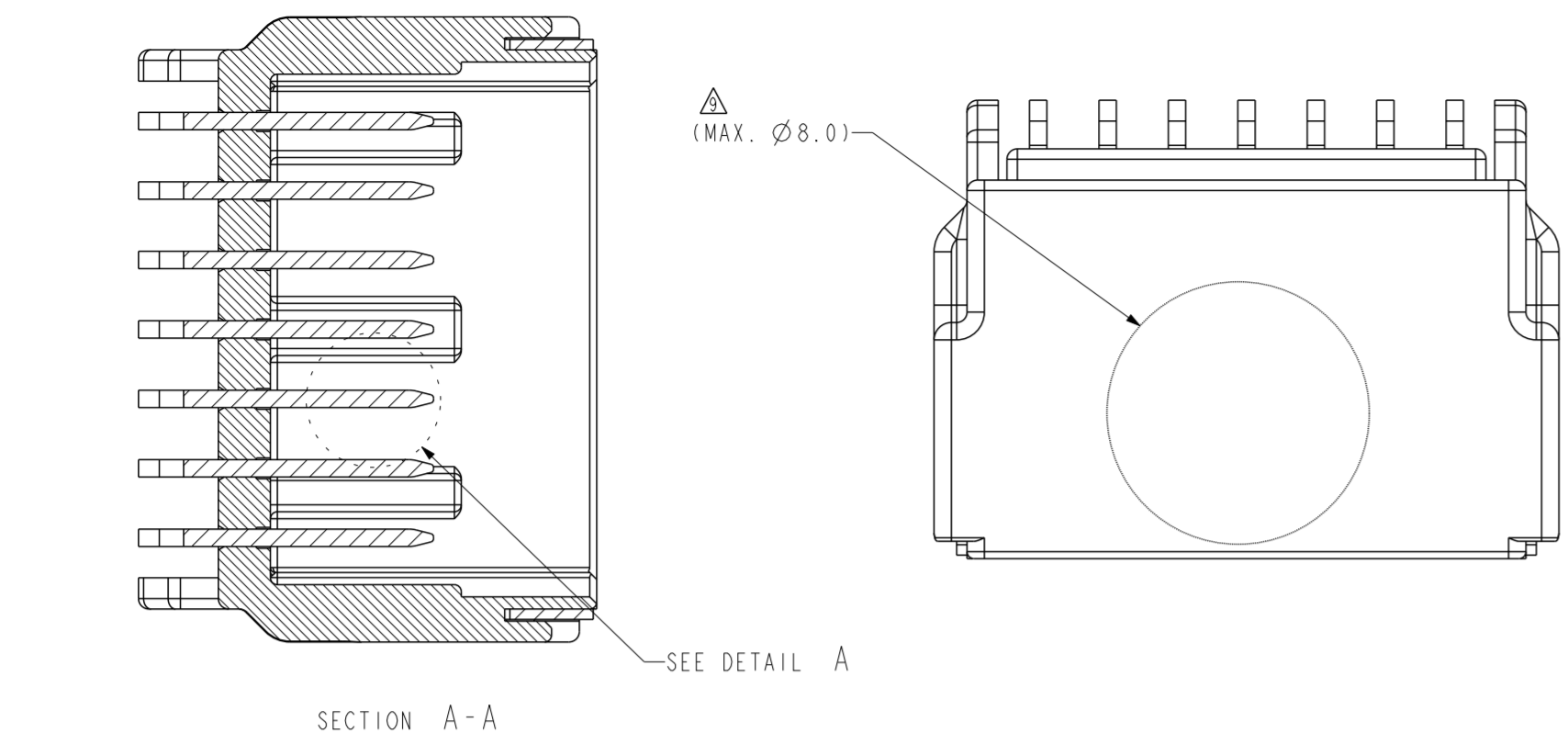
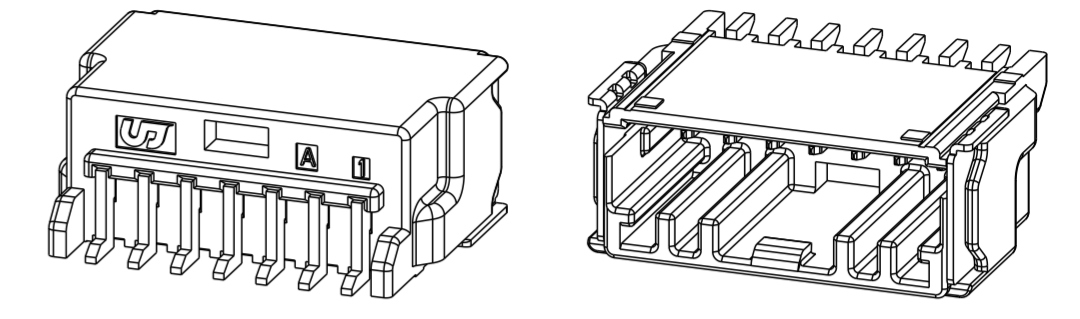
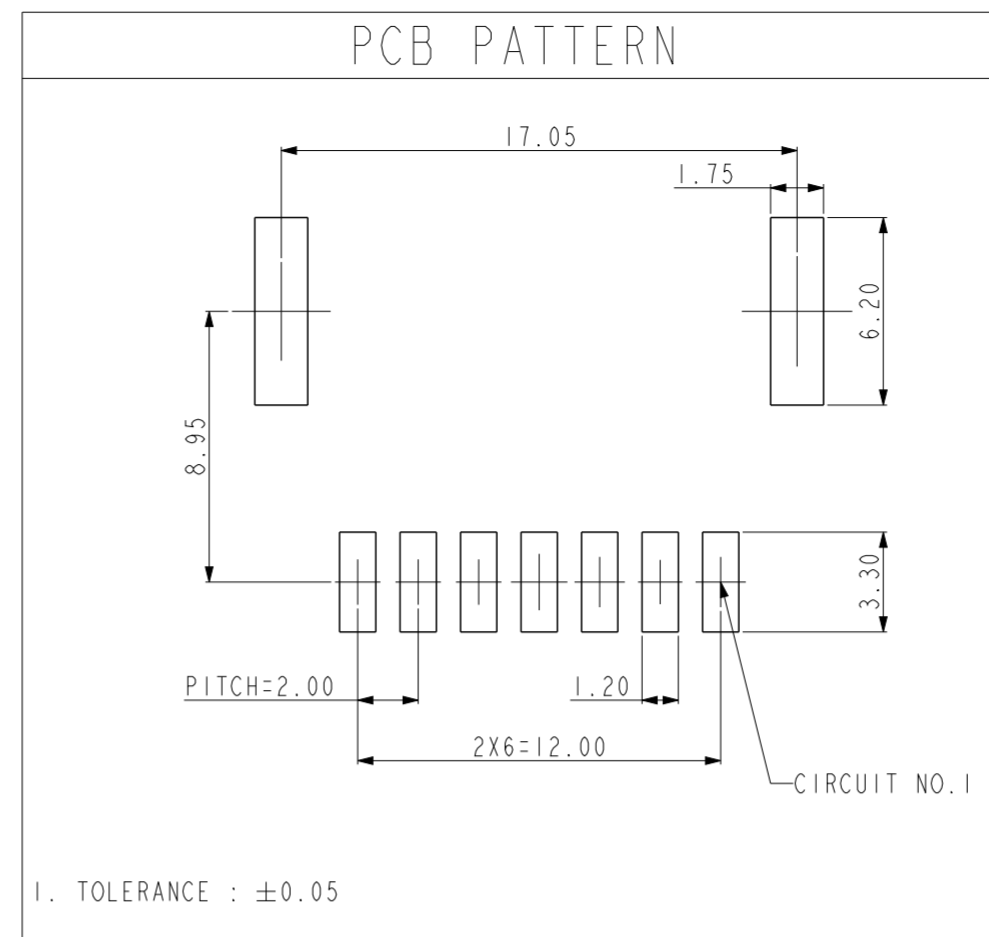
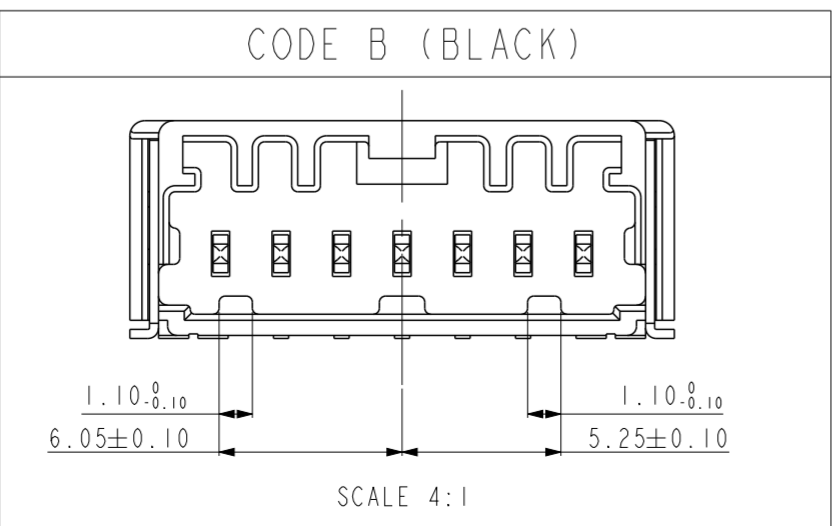
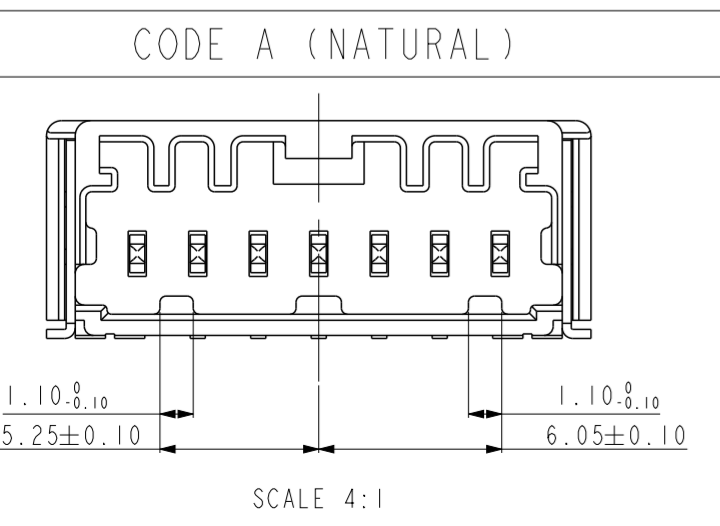
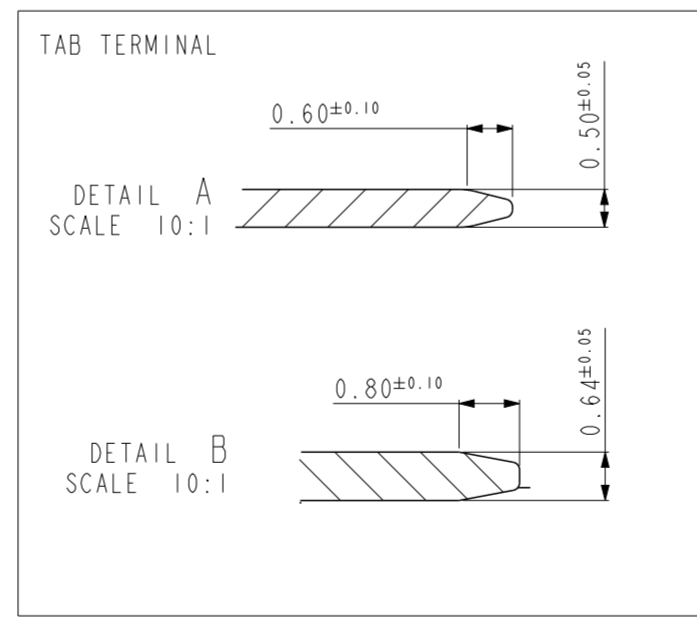


REV	REVISION RECORD	DATE	DRWN	CHKD	APVD
A	RELEASED (RD-2022-106)	11 AUG '22	KC	SJ	CY



- NOTE.
- GENERAL TOLERANCE : REFER TO DIN 16742 TG5 SPECIFICATION
  - BURR 0.3 MAX.
  - NO CRACK
  - ALL LETTERS SHALL BE CLEAR AND LEGIBLE
  - MEASURING THE DIMENSIONS OF TAB TML AND SOLDER PEG.
  - FINISH TAB TML AND SOLDER PEG  
TIN PLATING : 2.5-4.0um MATTE OVER NICKEL PLATING 1.0-2.0um MATTE  
Au PLATING MIN. 0.38um
  - PACKING : EMBOSS TAPE
  - FLAMMABILITY : UL94 - HB
  - VACUM GRIP AREA FREE OF BURR AND FECTOR PINS. MAX Ø8.0mm



NO	DESCRIPTION	MATERIAL	FINISH/COLOR	Q'TY
④	020 SMT SOLDER PEG-LEFT (H2T)	BRASS	POST-TIN	1
③	020 SMT SOLDER PEG-RIGHT (H2T)	BRASS	POST-TIN	1
②	020 SMT TAB TML (H2T)_Au	BRASS	POST-Au	7
①	020_D-SMT_7M_H-HSG_BK	PA9T GF30	BLACK	-
①	020_D-SMT_7M_H-HSG_NR	PA9T GF30	NATURAL	-

TOLERANCES UNLESS OTHERWISE SPECIFIED

0 ±  
0.0 ±  
0.00 ±  
0.000 ±  
0.0000 ±  
ANGLES ±

PRODUCT SPEC -

UNIT MM

THIRD ANGLE PROJECTION

APPLICATION SPEC -

DRWN	KC.HAN	(주)우주 일렉트로닉스 UJU Electronics co.,Ltd.					
CHKD	SJ.LEE						
APVD	CY.CHOI	NAME	020_D-SMT_7M_H-ASSY_Au_G				
MATERIAL	SEE TABLE	CUSTOMER	DRAWING NO				
FINISH/COLOR	SEE TABLE	DRAWING	KH2110113				
WEIGHT	-	LOC	RESTRICTED TO	SIZE	SCALE	SHEET	REV
-	-	-	-	A2	5:1	1 OF 1	A