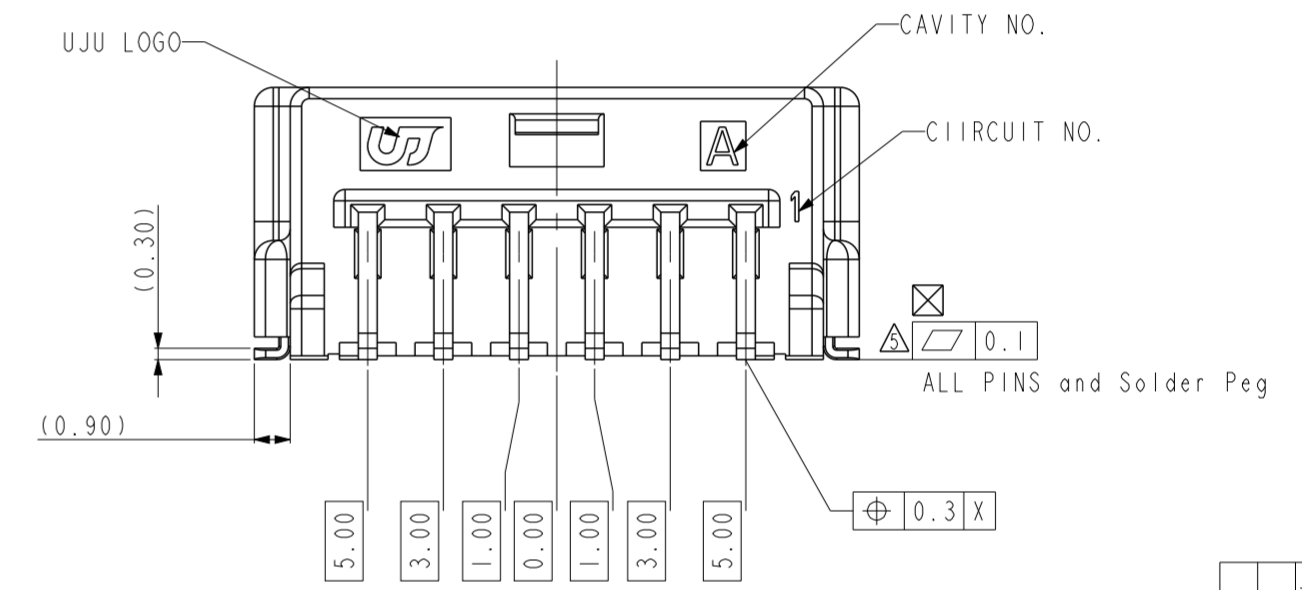
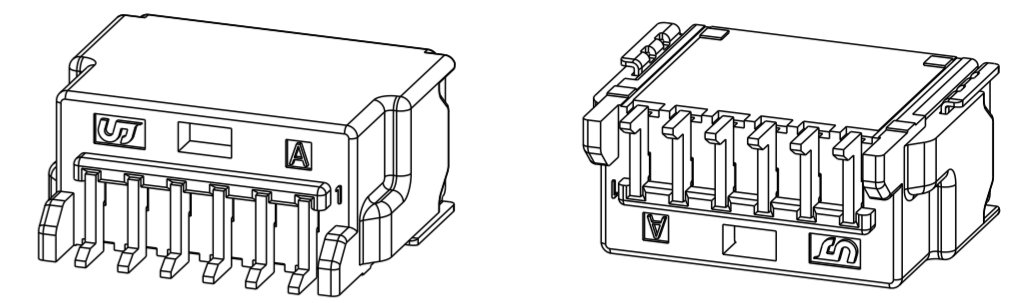
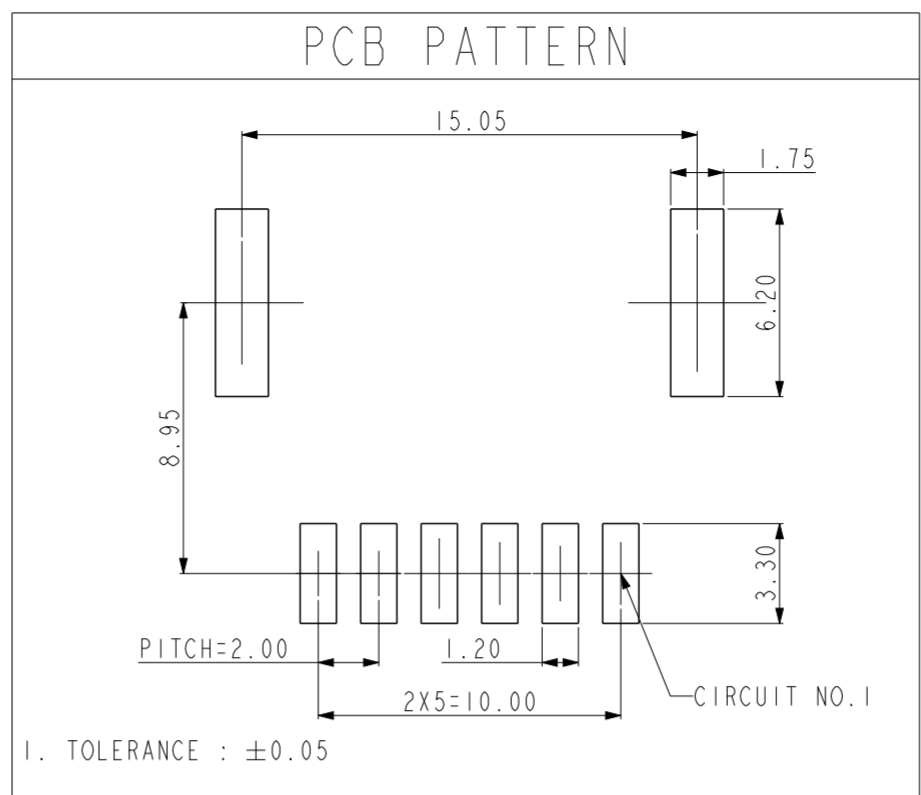
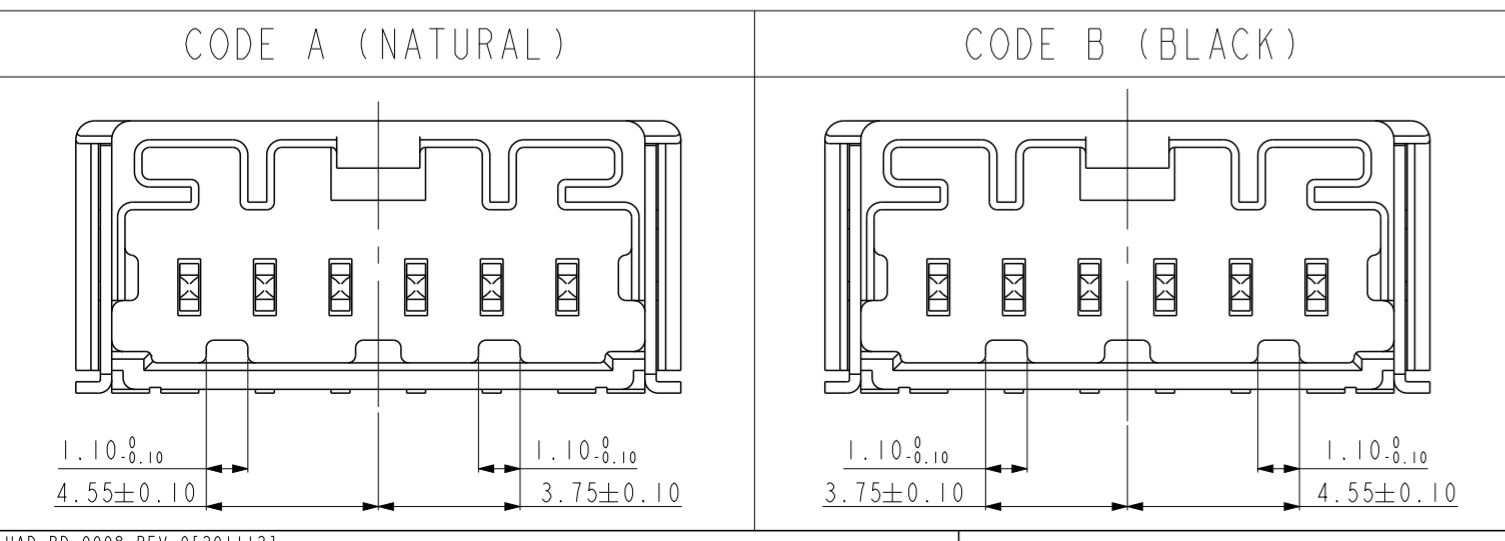
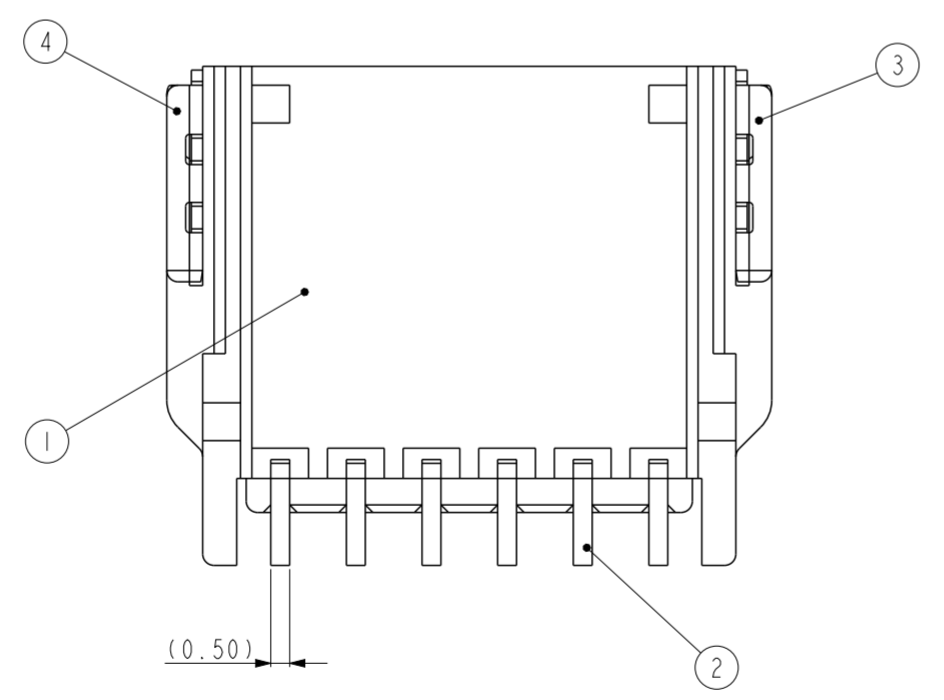
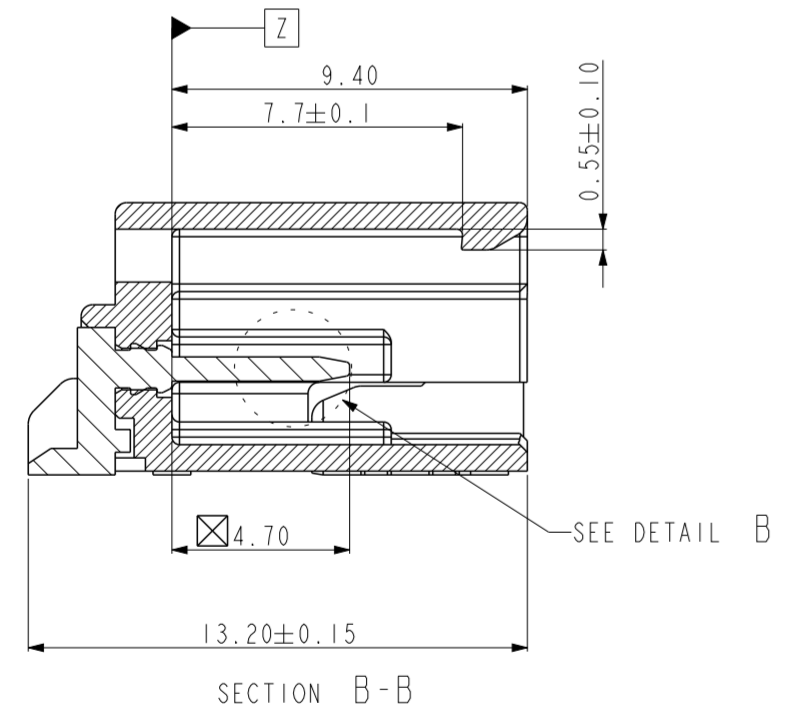
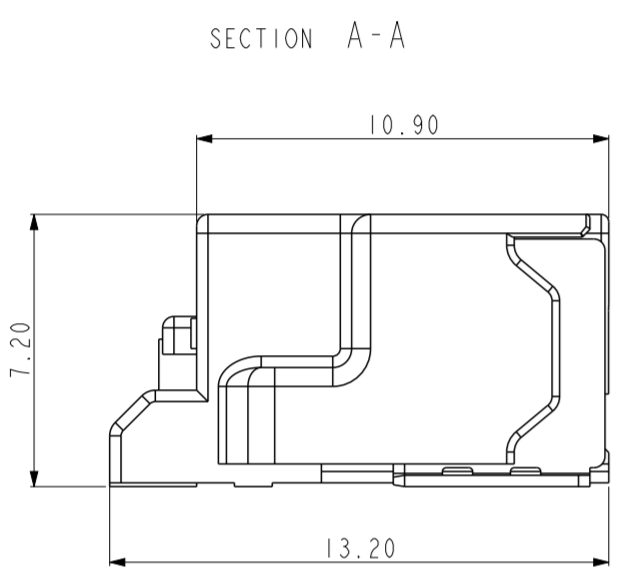
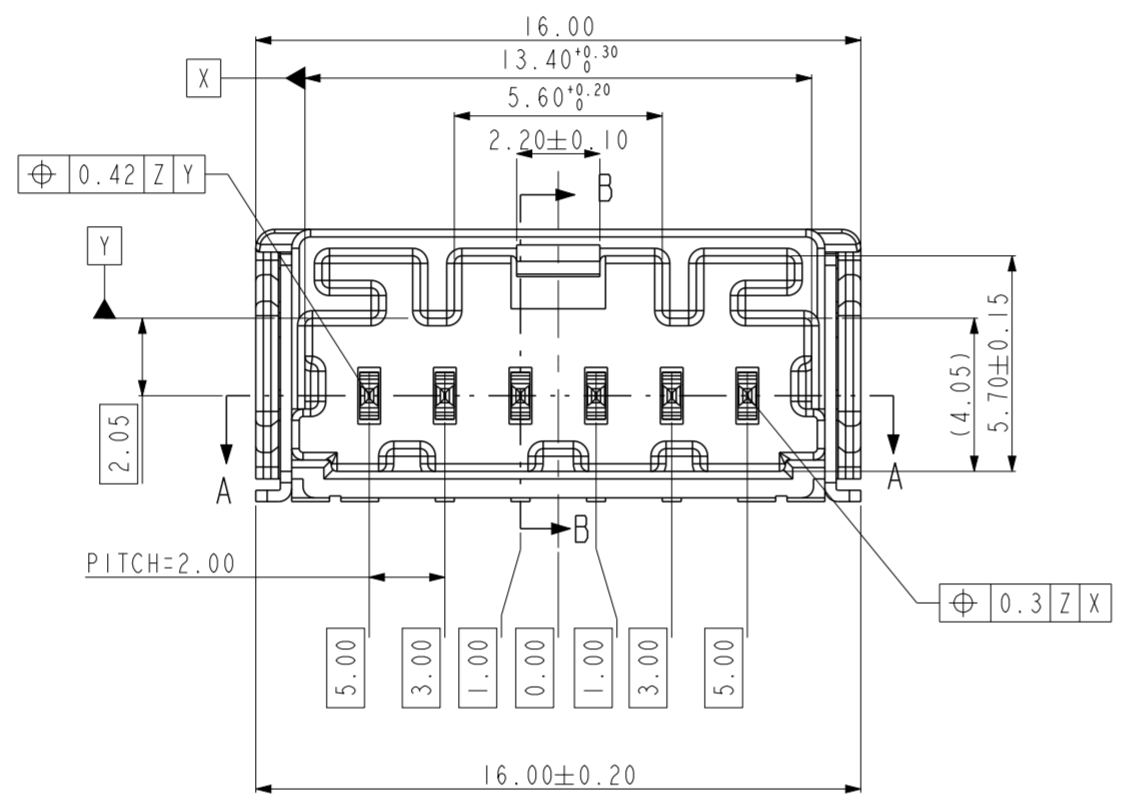
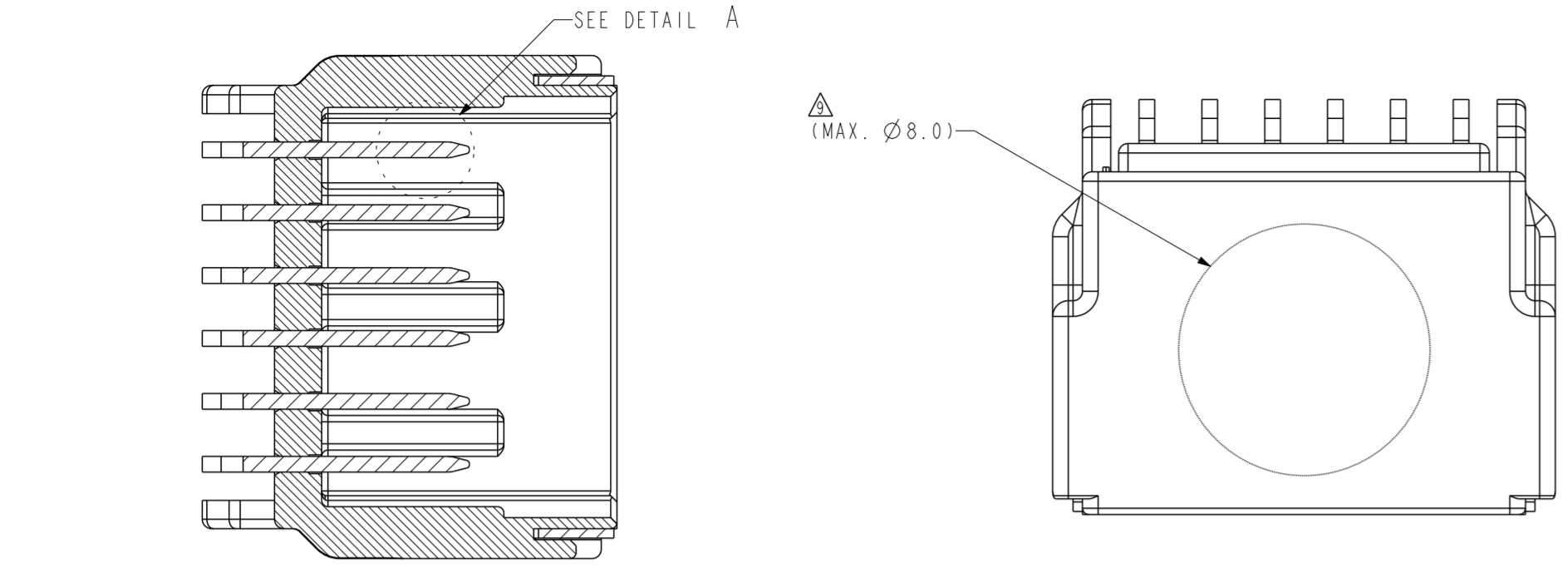
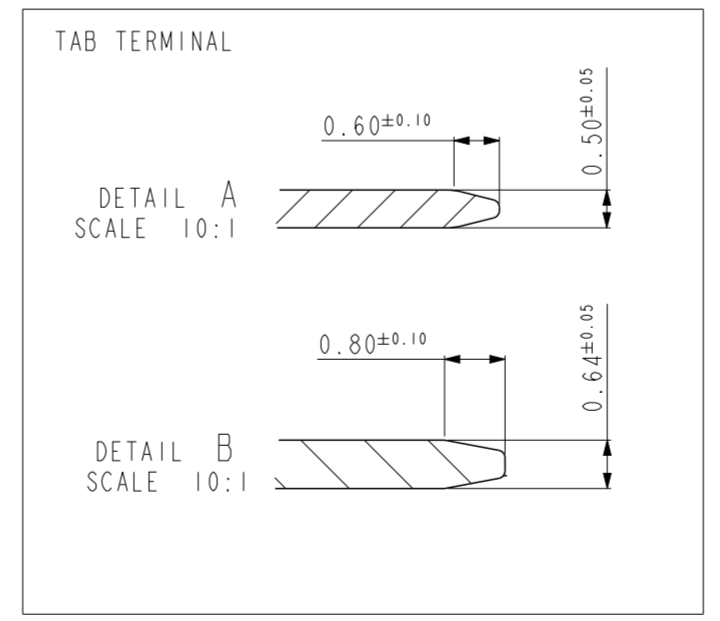


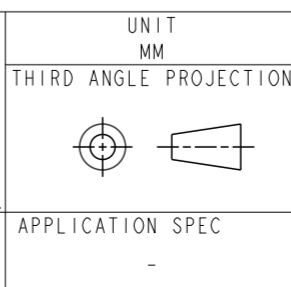
REV	REVISION RECORD	DATE	DRWN	CHKD	APVD
A	RELEASED (RD-2022-106)	11 AUG '22	KC	SJ	CY



- NOTE.
- GENERAL TOLERANCE : REFER TO DIN 16742 TG5 SPECIFICATION
 - BURR 0.3 MAX.
 - NO CRACK
 - ALL LETTERS SHALL BE CLEAR AND LEGIBLE
 - MEASURING THE DIMENSIONS OF TAB TML AND SOLDER PEG.
 - FINISH TAB TML AND SOLDER PEG
TIN PLATING : 2.5-4.0um MATTE OVER NICKEL PLATING 1.0-2.0um MATTE
Au PLATING MIN. 0.38um
 - PACKING : EMBOSS TAPE
 - FLAMMABILITY : UL94 - HB
 - VACUM GRIP AREA FREE OF BURR AND FECTOR PINS. MAX Ø8.0mm



TOLERANCES UNLESS OTHERWISE SPECIFIED	UNIT MM
0	±
0.0	±
0.00	±
0.000	±
0.0000	±
ANGLES	±
PRODUCT SPEC	-
APPLICATION SPEC	-



DRWN	KC.HAN	(주)우주 일렉트로닉스 UJU Electronics co.,Ltd.	
CHKD	SJ.LEE		
APVD	CY.CHOI	NAME	020_D-SMT_6M_H_ASSY_Au_G
MATERIAL	SEE TABLE	CUSTOMER	DRAWING NO
FINISH/COLOR	SEE TABLE	DRAWING	KH2110112
WEIGHT	-	LOC	RESTRICTED TO
SIZE	A2	SCALE	5:1
SHEET	1 OF 1	REV	A

ASSY DESCRIPTION	CODE	ASS'Y PART NO.	REV.
020_D-SMT_6M_H_ASSY_BK_Au_G	B	KH2110112-21	1
020_D-SMT_6M_H_ASSY_NR_Au_G	A	KH2110112-10	1