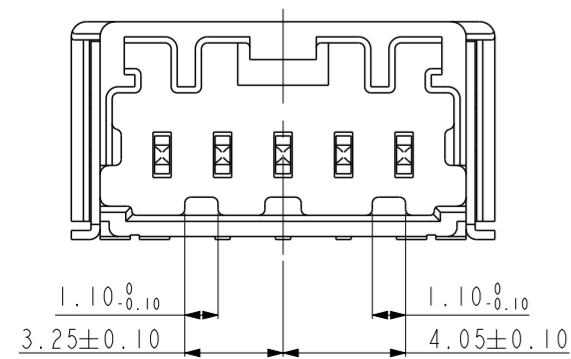
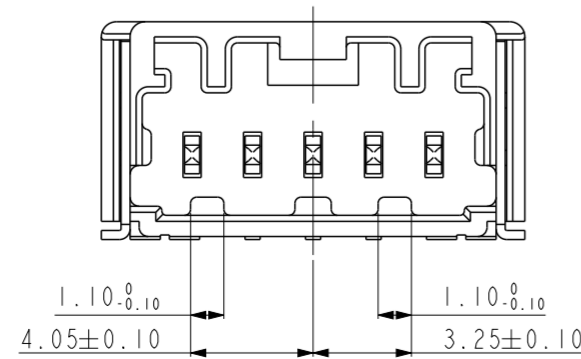


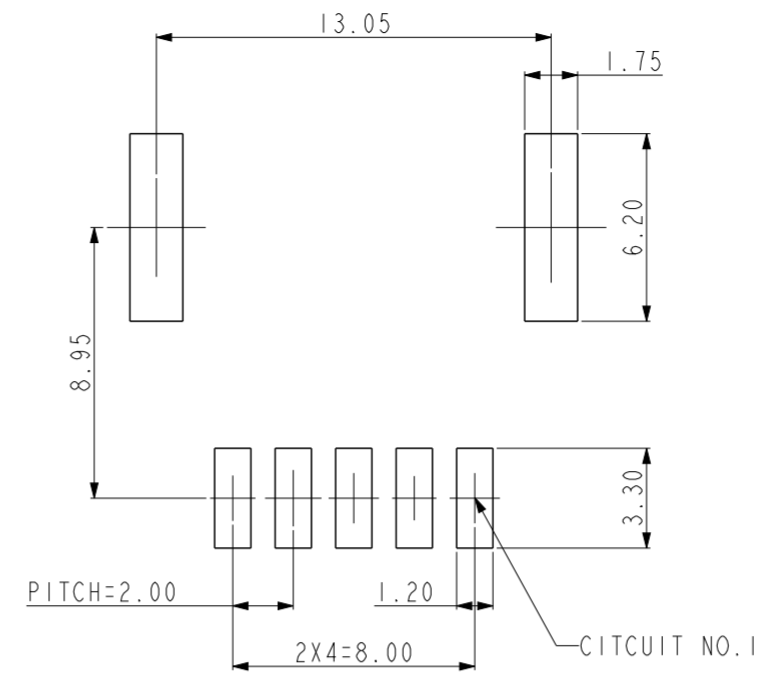
CODE A (NATURAL)



CODE B (BLACK)

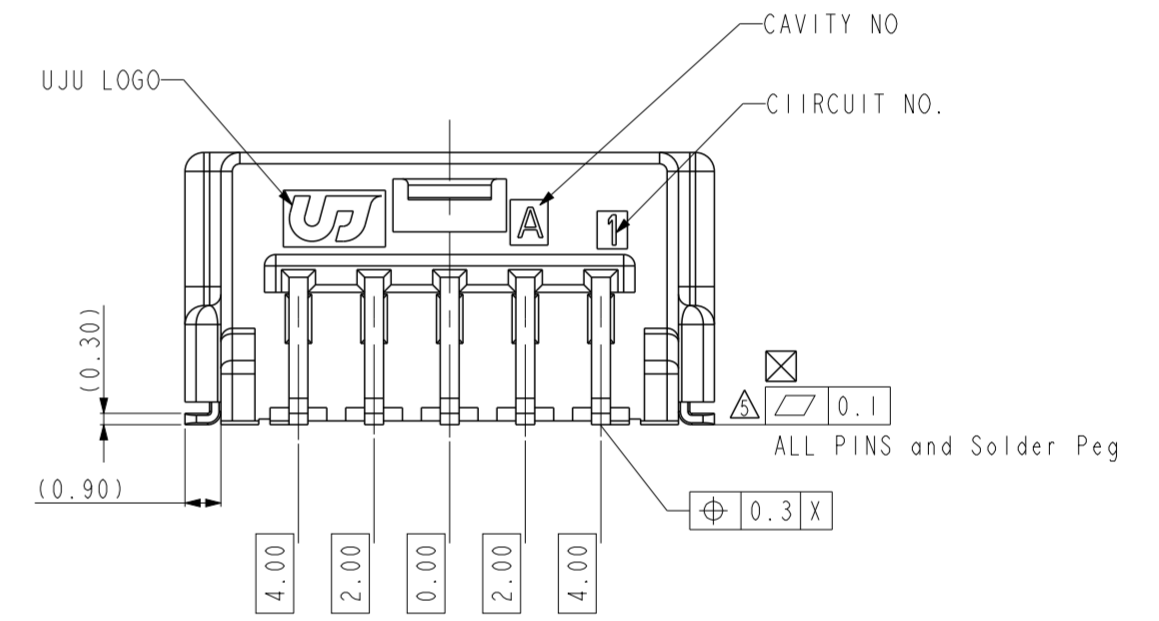
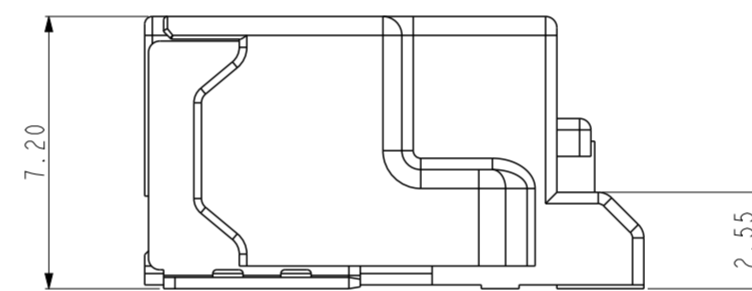
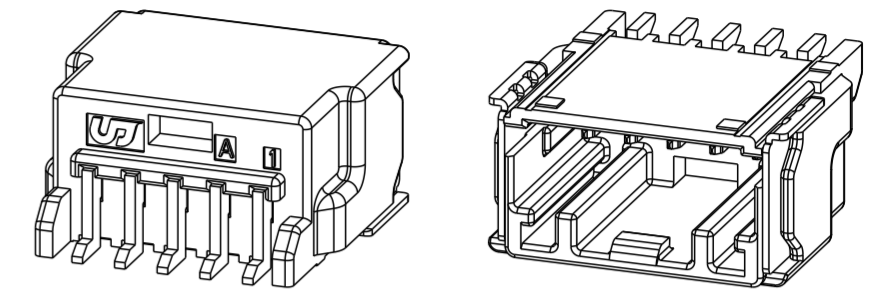


PCB PATTERN



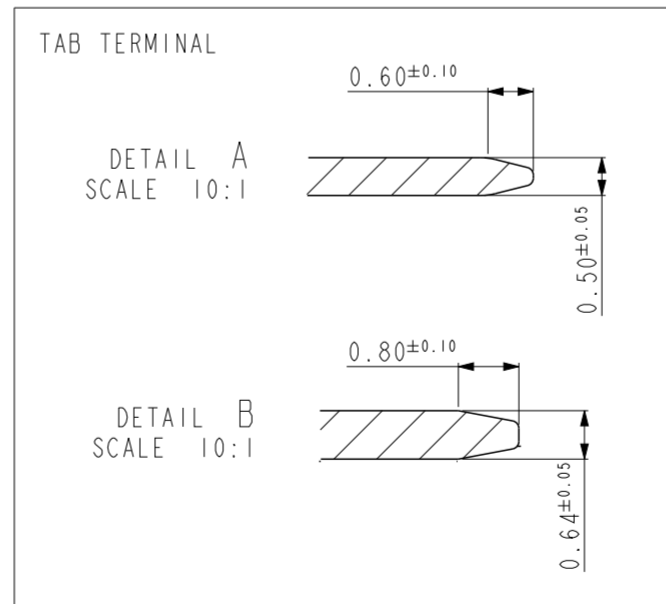
1. TOLERANCE : ±0.05

REV	REVISION RECORD	DATE	DRWN	CHKD	APVD
A	RELEASED (RD-2022-106)	11 AUG '22	KC	SJ	CY



NOTE.

- GENERAL TOLERANCE : REFER TO DIN 16742 TG5 SPECIFICATION.
- BURR 0.3 MAX.
- NO CRACK
- ALL LETTERS SHALL BE CLEAR AND LEGIBLE
- MEASURING THE DIMENSIONS OF TAB TML AND SOLDER PEG.
- FINISH TAB TML AND SOLDER PEG
TIN PLATING : 2.5-4.0um MATTE OVER NICKEL PLATING 1.0-2.0um MATTE
Au PLATING MIN. 0.38um
- PACKING : EMBOSS TAPE
- FLAMMABILITY : UL94 - HB
- VACUM GRIP AREA FREE OF BURR AND FACTOR PINS. MAX Ø8.0mm



NO	DESCRIPTION	MATERIAL	FINISH/COLOR	Q'TY
④	020 SMT SOLDER PEG-LEFT (H2T)	BRASS	POST-TIN	1
③	020 SMT SOLDER PEG-RIGHT (H2T)	BRASS	POST-TIN	1
②	020 SMT TAB TML (H2T)_Au	BRASS	POST-Au	5
①	020_D_SMT_5M_H_HSG_BK	PA9T GF30	BLACK	1
①	020_D_SMT_5M_H_HSG_NR	PA9T GF30	NATURAL	1

TOLERANCES UNLESS OTHERWISE SPECIFIED	UNIT MM	DRWN	KC.HAN					
		CHKD	S.J.LEE					
THIRD ANGLE PROJECTION	APVD	MATERIAL	CY.CHOI					
		FINISH/COLOR	SEE TABLE					
PRODUCT SPEC	APPLICATION SPEC	WEIGHT	LOC	RESTRICTED TO	SIZE	SCALE	SHEET	REV
-	-	-	-	-	A2	5:1	1 OF 1	A



NAME: 020_D_SMT_5M_H_ASSY_Au_G

DRAWING NO: KH2110111