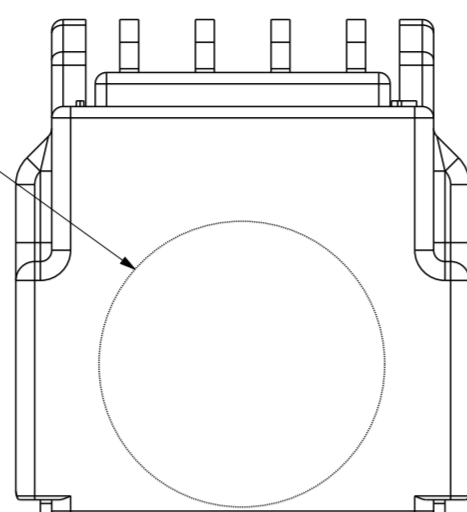


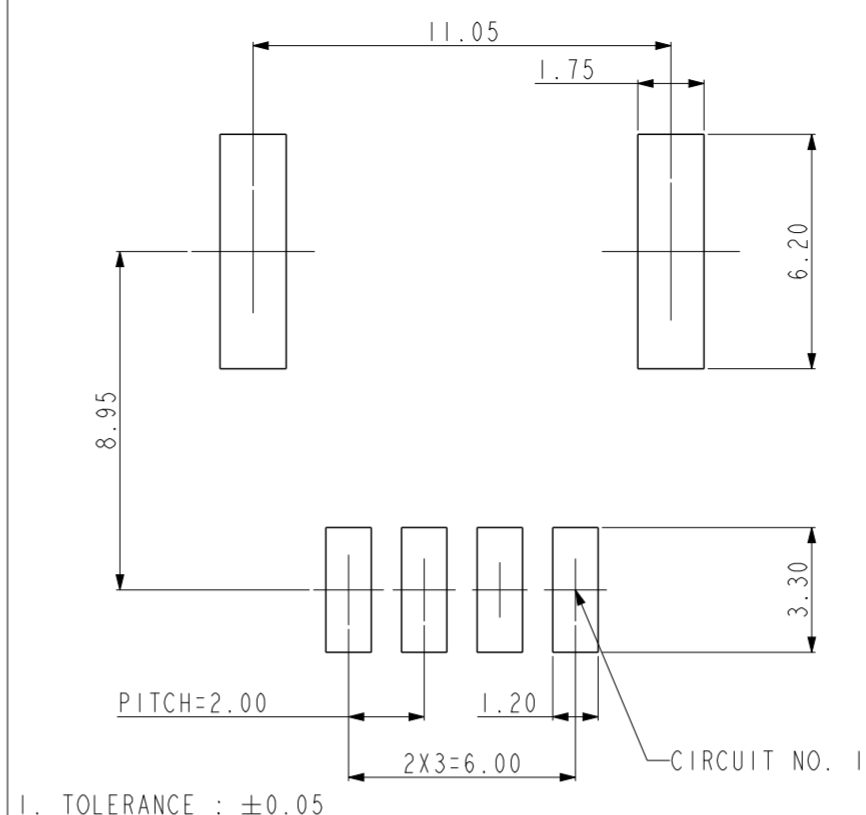
SECTION A-A

(MAX. Ø8.0)

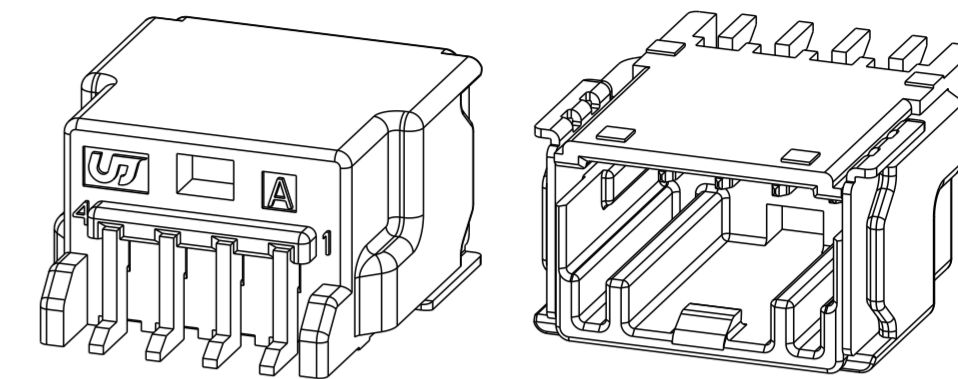
SEE DETAIL A



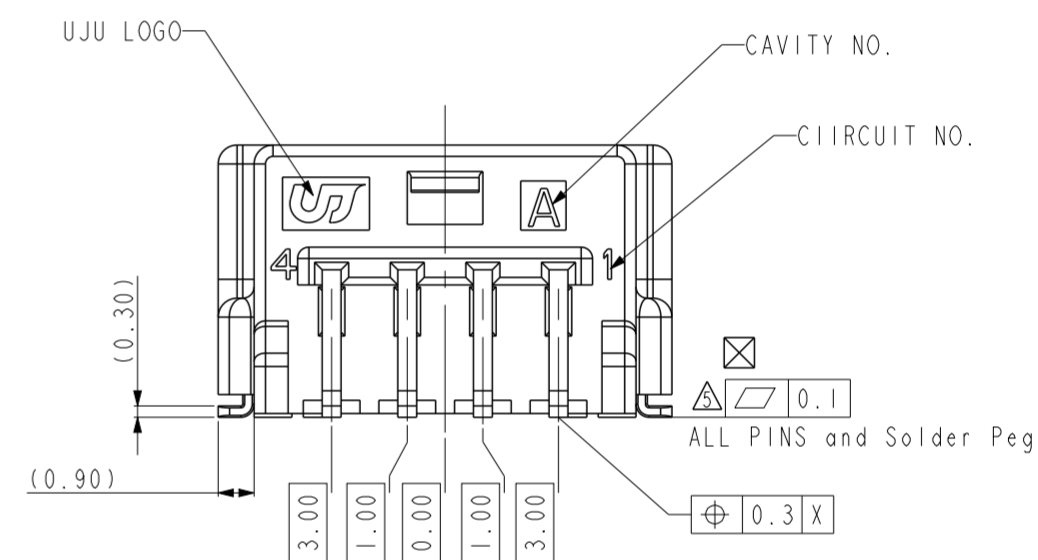
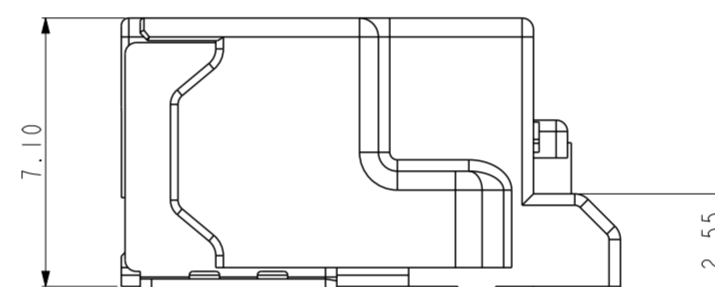
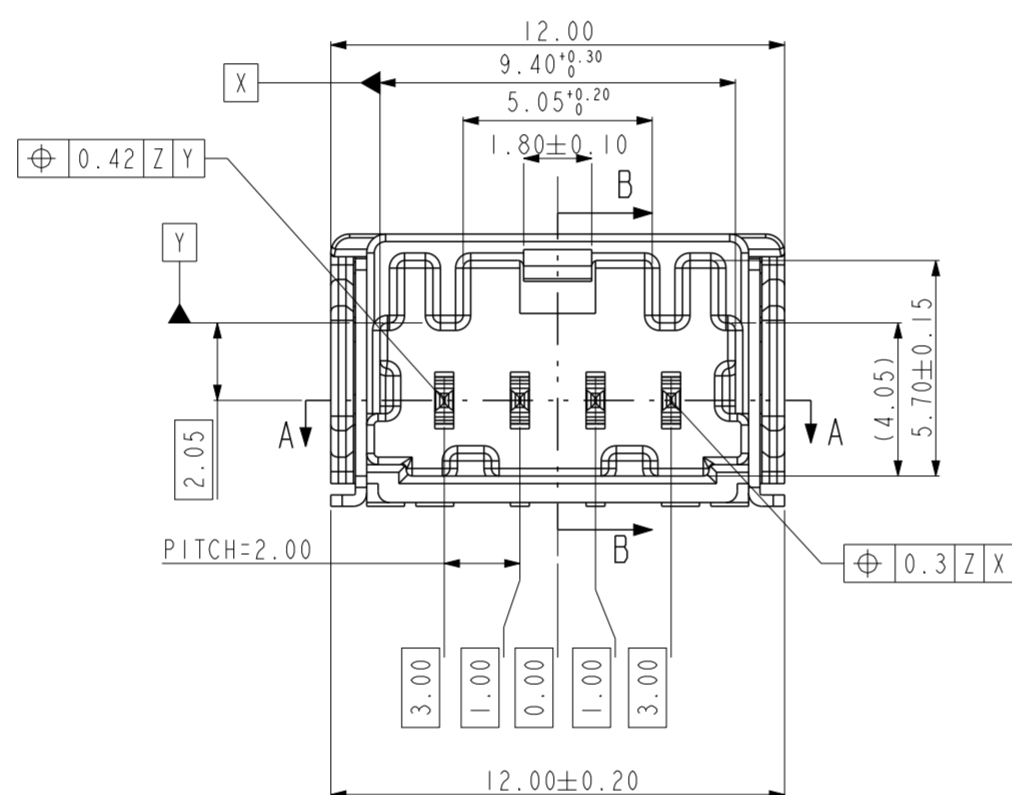
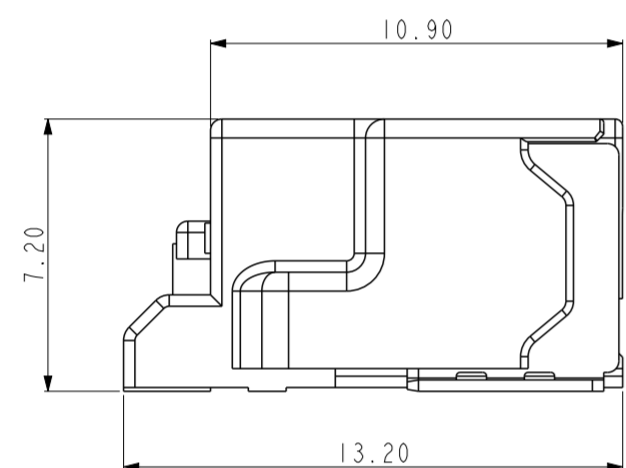
PCB PATTERN



REV	REVISION RECORD	DATE	DRWN	CHKD	APVD
A	RELEASED (RD-2022-106)	11 AUG '22	KC	SJ	CY



ISO VIEW
SCALE 4:1

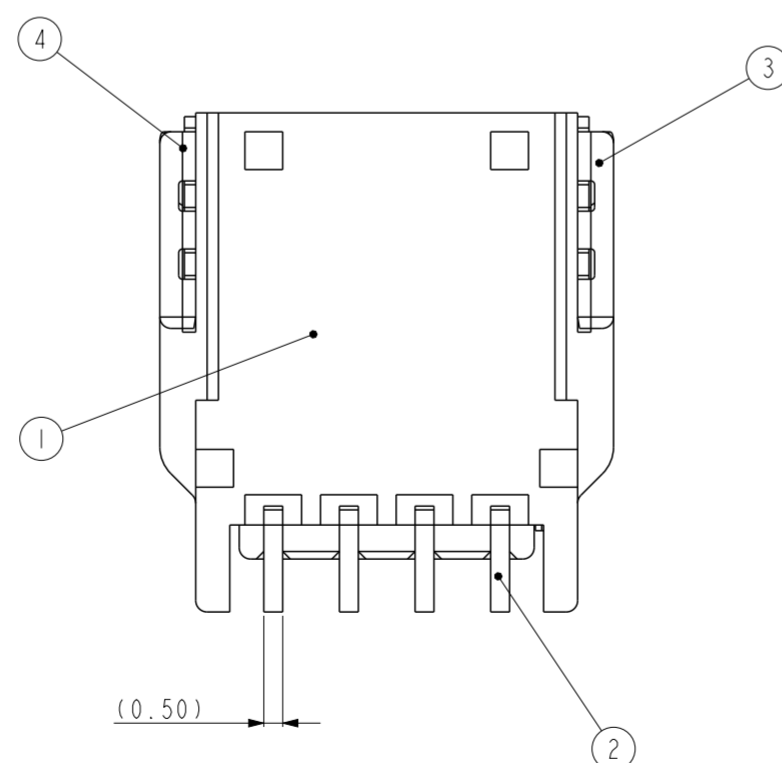
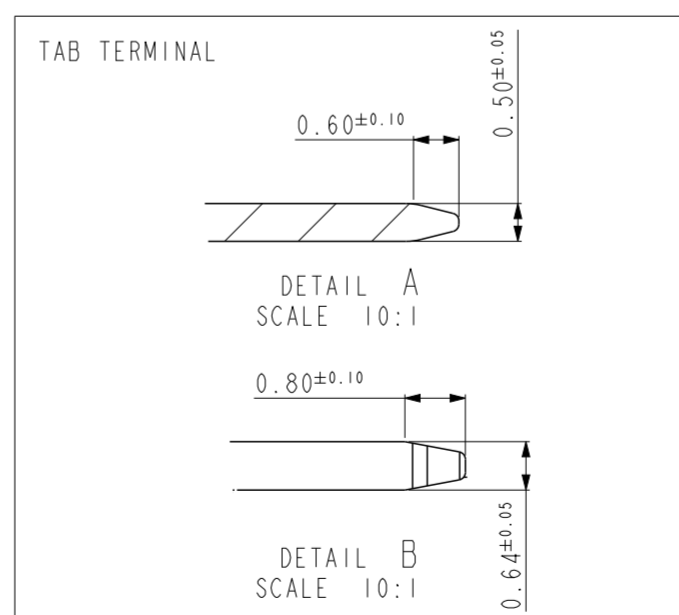


NOTE.

- GENERAL TOLERANCE : REFER TO DIN 16742 T65 SPECIFICATION.
- BURR 0.3 MAX.
- NO CRACK
- ALL LETTERS SHALL BE CLEAR AND LEGIBLE
- MEASURING THE DIMENSIONS OF TAB TML AND SOLDER PEG.
- FINISH TAB TML AND SOLDER PEG
TIN PLATING : 2.5~4.0um MATTE OVER NICKEL PLATING 1.0~2.0um MATTE
Au PLATING MIN. 0.38um
- PACKING : EMBOSS TAPE
- FLAMMABILITY : UL94 - HB
- VACUM GRIP AREA FREE OF BURR AND FECTOR PINS. MAX Ø8.0mm

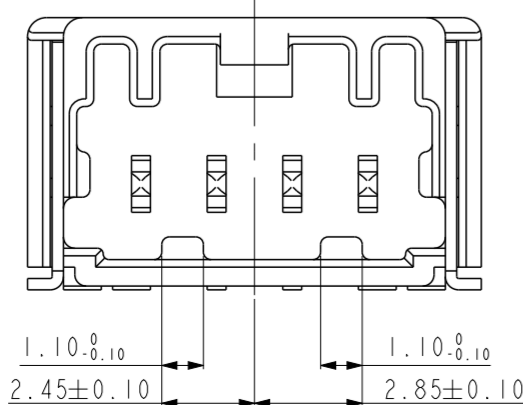
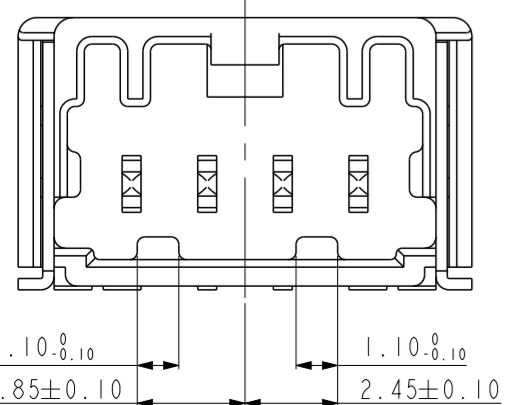
NO	DESCRIPTION	MATERIAL	FINISH/COLOR	Q'TY
④	020 SMT SOLDER PEG-LEFT (HZT)	BRASS	POST-TIN	1
③	020 SMT SOLDER PEG-RIGHT (HZT)	BRASS	POST-TIN	1
②	020 SMT TAB TML (HZT)_Au	BRASS	POST-Au	4
①	020_D-SMT_4M_H-HSG_BK	PA9T GF30	BLACK	1
①	020_D-SMT_4M_H-HSG_NR	PA9T GF30	NATURAL	1

DRWN	KC.HAN	(주)우주 일렉트로닉스 UJU Electronics co.,Ltd.					
CHKD	SJ.LEE						
APVD	CY.CHOI	NAME	020_D-SMT_4M_H_ASSY_Au_G				
MATERIAL	SEE TABLE	CUSTOMER	DRAWING				
FINISH/COLOR	SEE TABLE	DRAWING NO	KH2110110				
WEIGHT	-	LOC	RESTRICTED TO	SIZE	SCALE	SHEET	REV
PRODUCT SPEC	-	-	-	A2	5:1	1 OF 1	A



CODE A (NATURAL)

CODE B (BLACK)



D

C

B

A