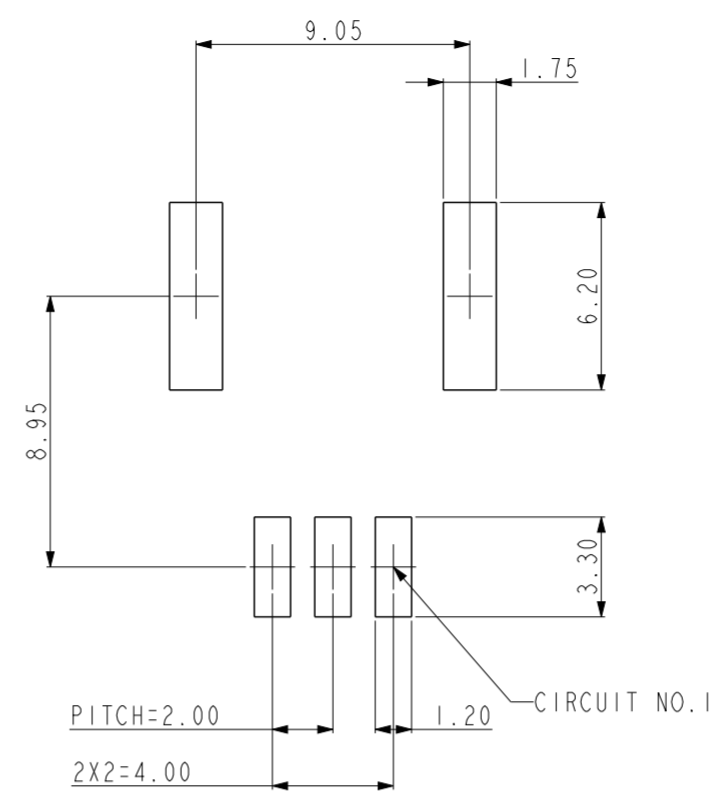
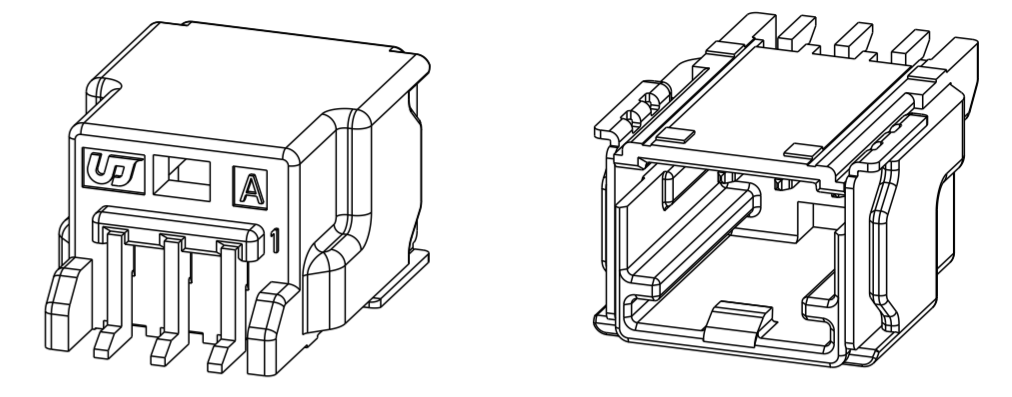


REV	REVISION RECORD	DATE	DRWN	CHKD	APVD
A	RELEASED (RD-2022-106)	11 AUG '22	KC	SJ	CY

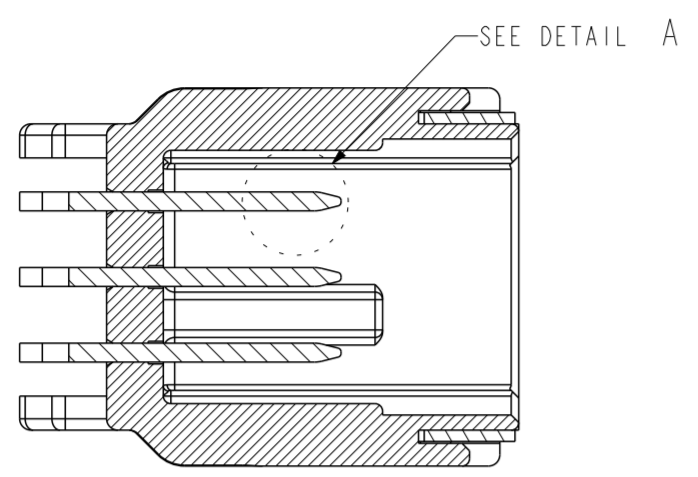
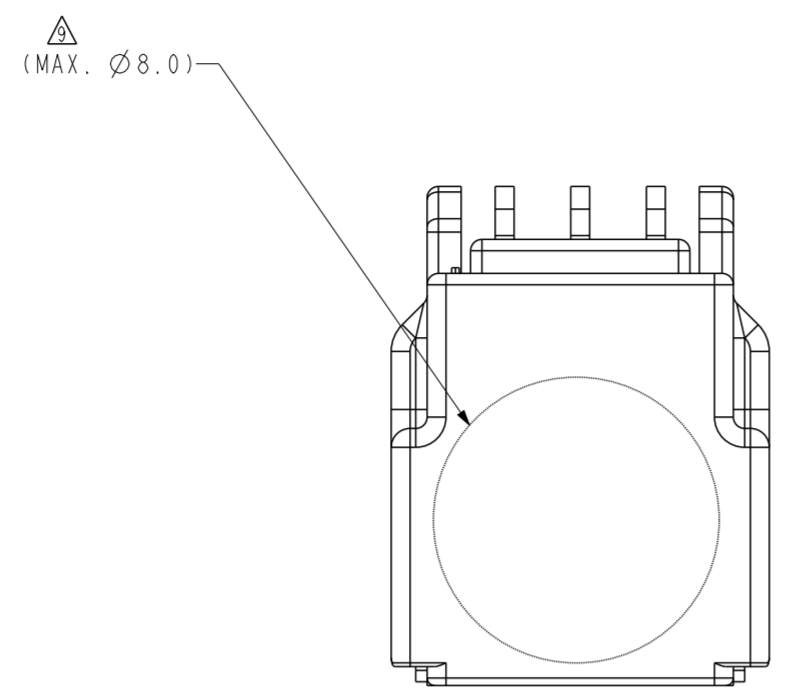
PCB PATTERN



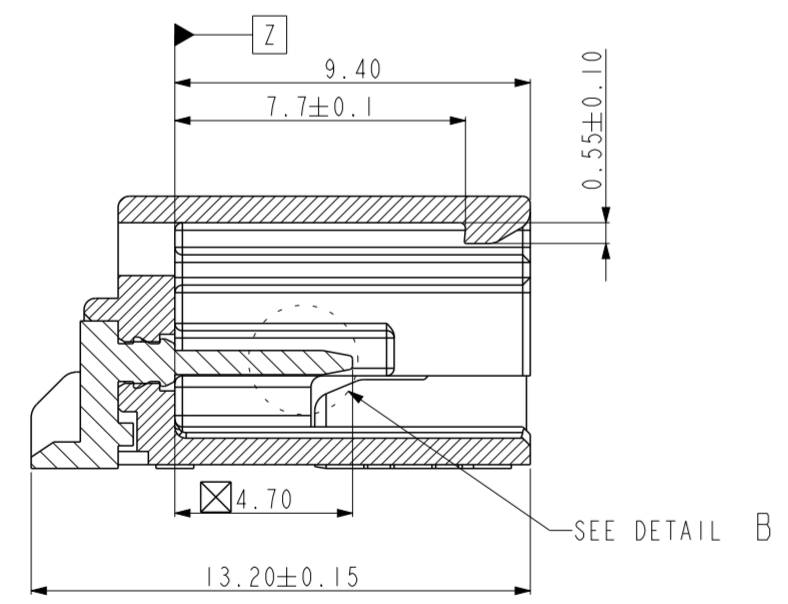
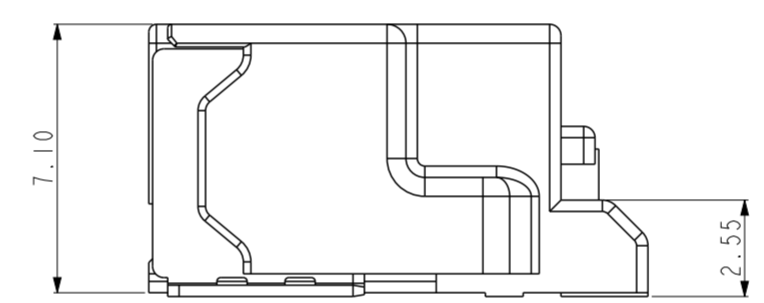
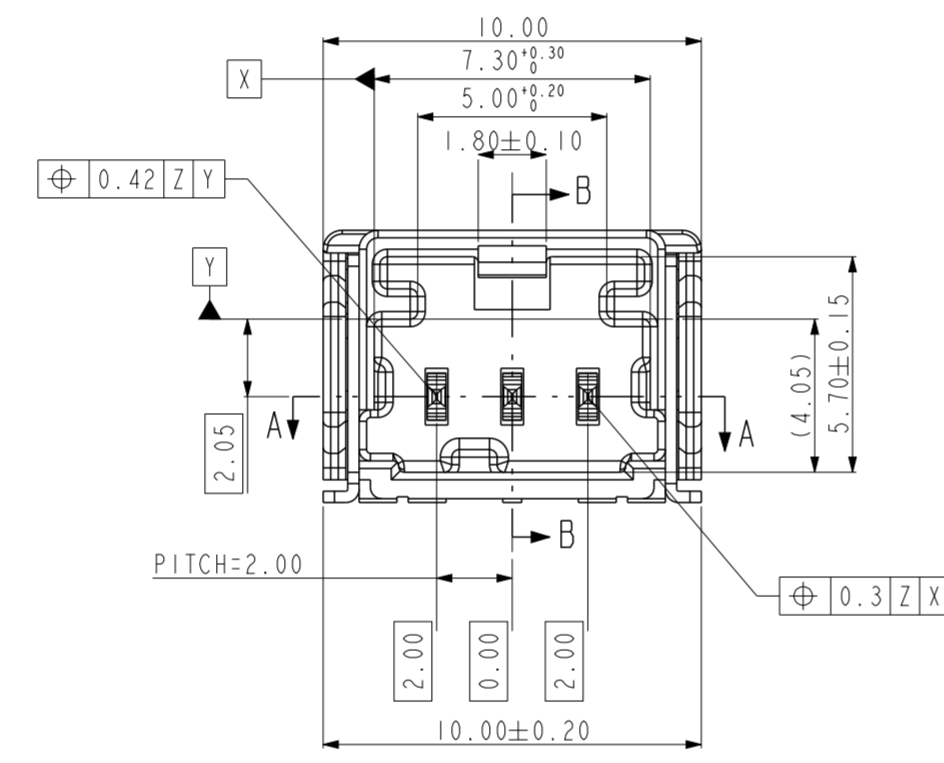
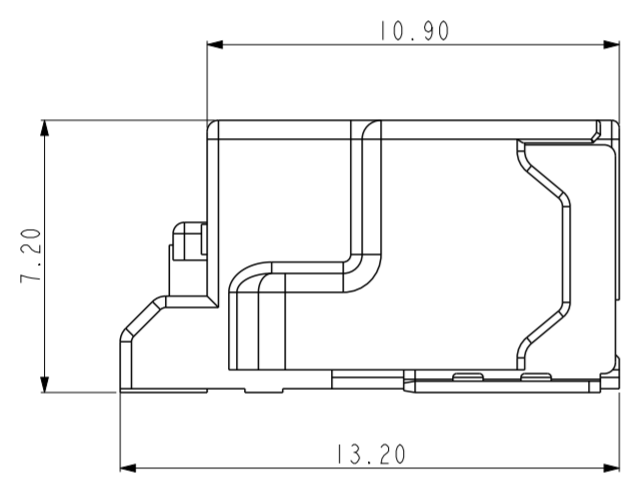
1. TOLERANCE : ±0.05



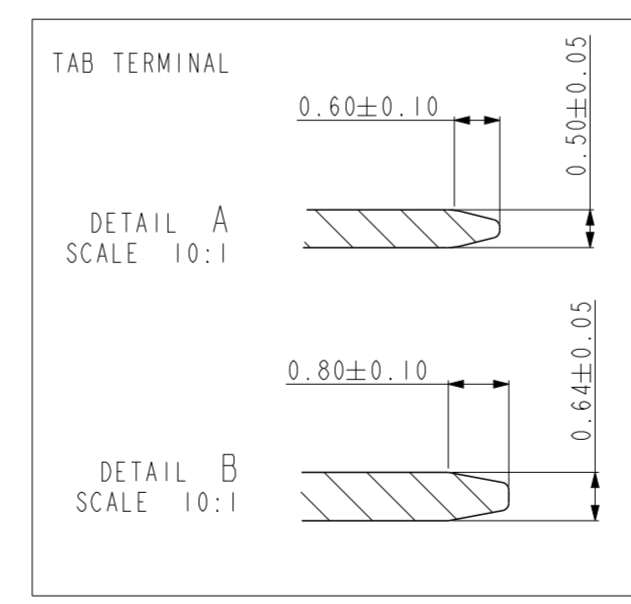
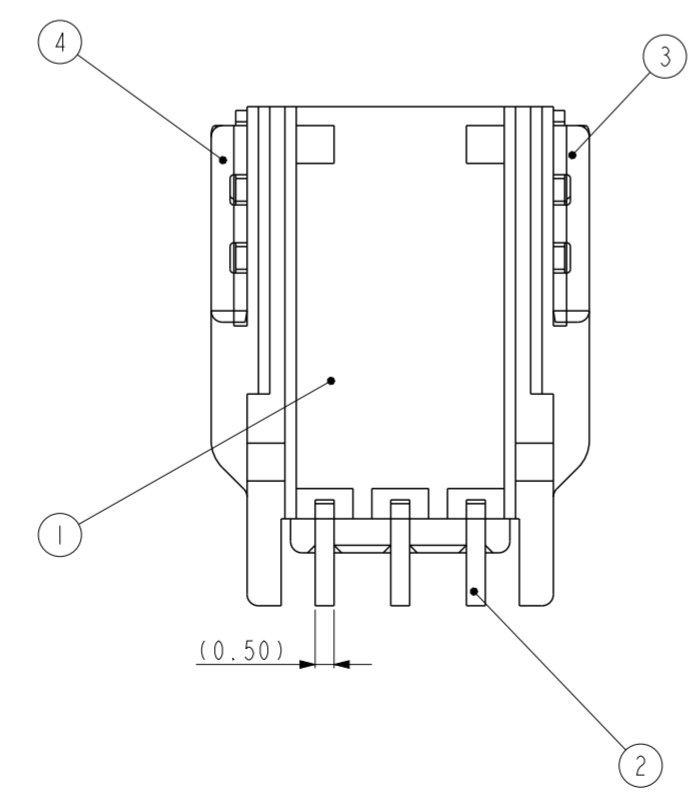
ISO VIEW
SCALE 4:1



SECTION A-A

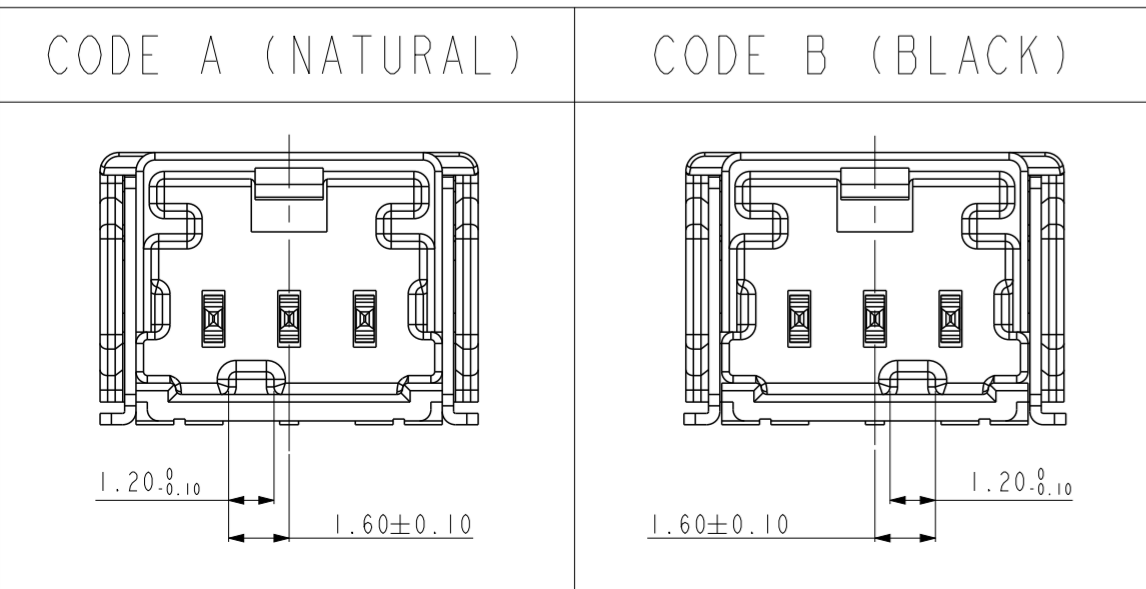


SECTION B-B



NOTE.

- GENERAL TOLERANCE : REFER TO DINI6742 TG5 SPECIFICATION
- BURR 0.3 MAX.
- NO CRACK
- ALL LETTERS SHALL BE CLEAR AND LEGIBLE
- MEASURING THE DIMENSIONS OF TAB TML AND SOLDER PEG.
- FINISH TAB TML AND SOLDER PEG
TIN PLATING : 2.5~4.0um MATTE OVER NICKEL PLATING 1.0~2.0um MATTE
Au PLATING MIN. 0.38um
- PACKING : EMBOSS TAPE
- FLAMMABILITY : UL94 - HB
- VACUM GRIP AREA FREE OF BURR AND FECTOR PINS. MAX Ø8.0mm



D

C

B

A

DRWN	KC.HAN	(주)우주 일렉트로닉스 UJU Electronics co.,Ltd.			
CHKD	SJ.LEE				
APVD	CY.CHOI	NAME	020_D-SMT_3M_H_ASSY_Au_G		
MATERIAL	SEE TABLE	CUSTOMER	DRAWING NO		
FINISH/COLOR	SEE TABLE	DRAWING	KH2110109		
WEIGHT	-	LOC	RESTRICTED TO	SIZE	SCALE
PRODUCT SPEC	-	-	-	A2	5:1
				SHEET	REV
				1 OF 1	A

CODE	ASSY PART NO	REV
020_D-SMT_3M_H_ASSY-BK-Au-G	B	1
020_D-SMT_3M_H_ASSY-NR-Au-G	A	1