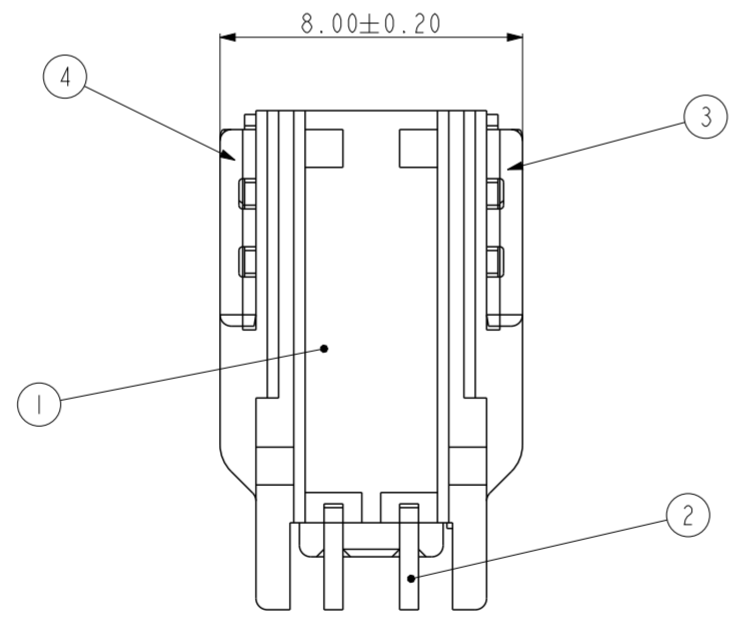
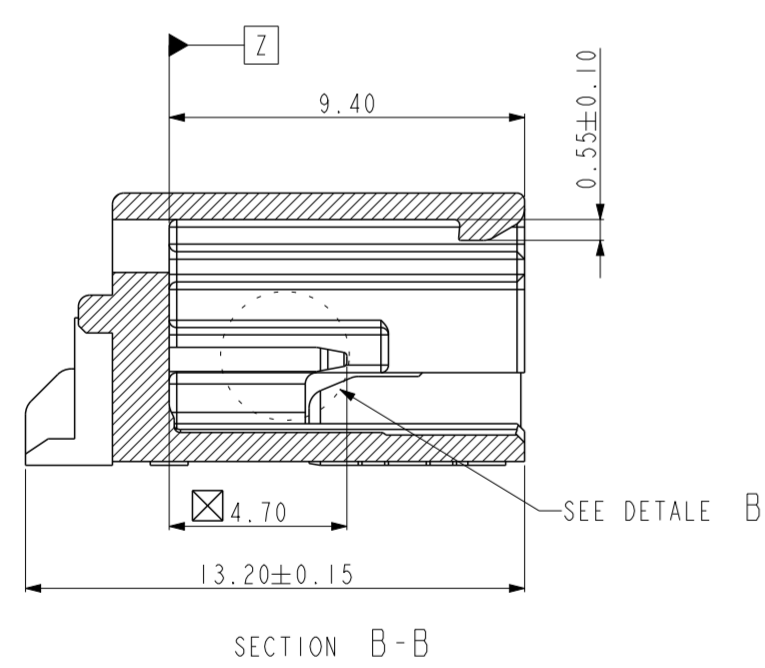
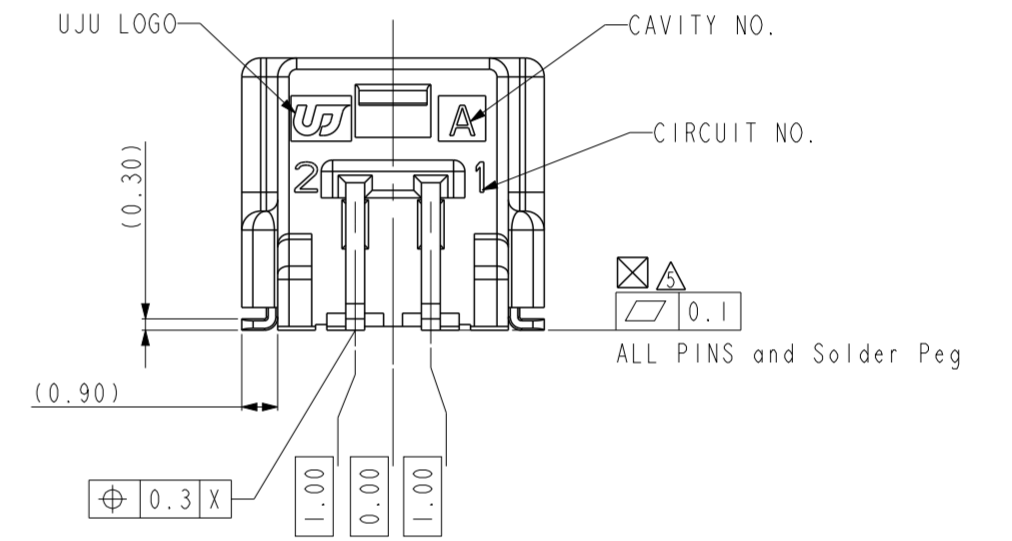
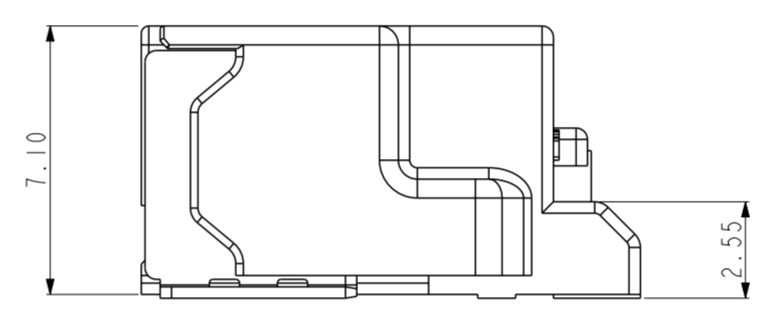
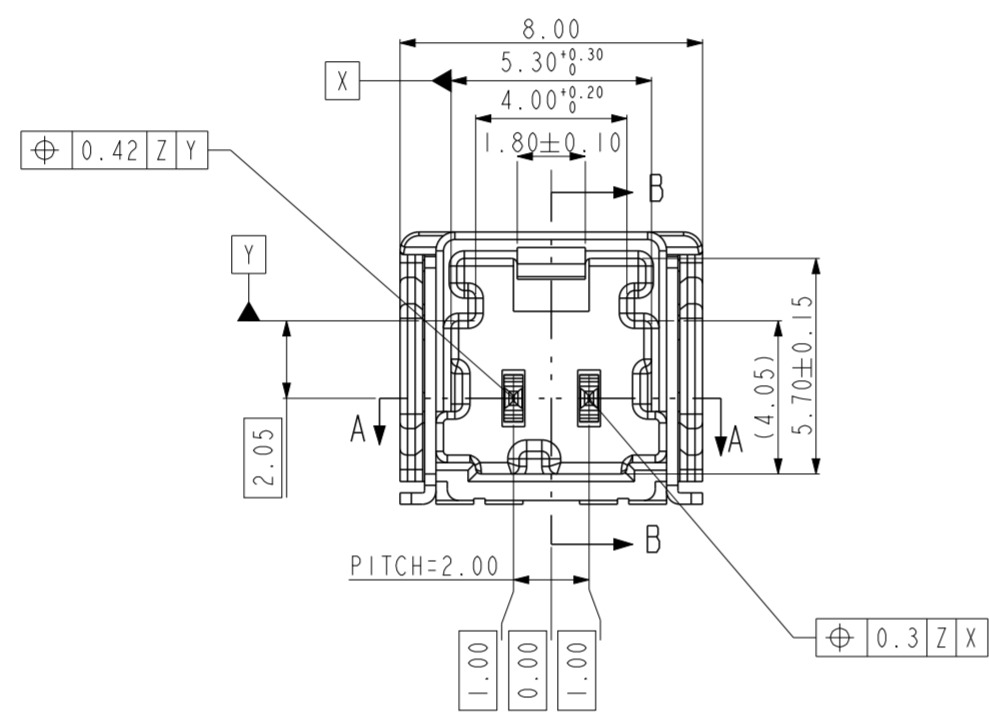
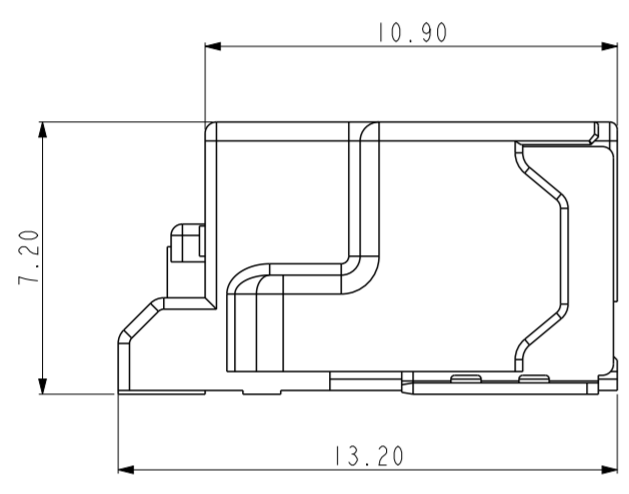
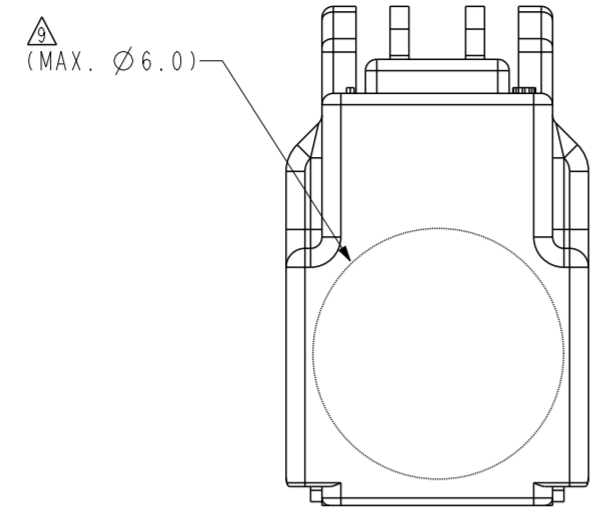
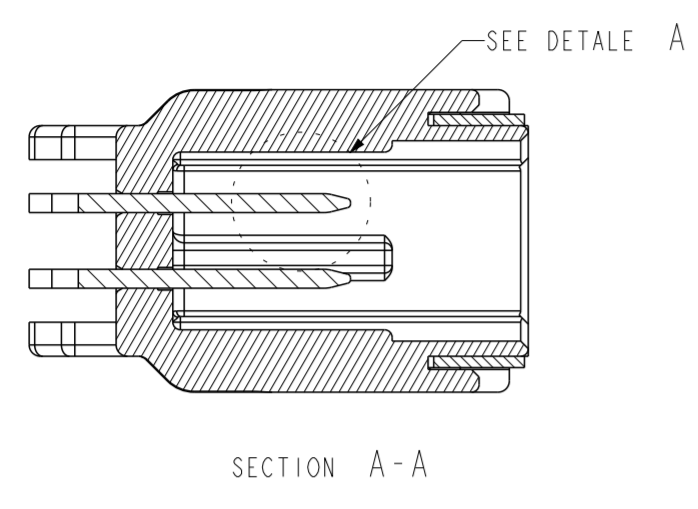
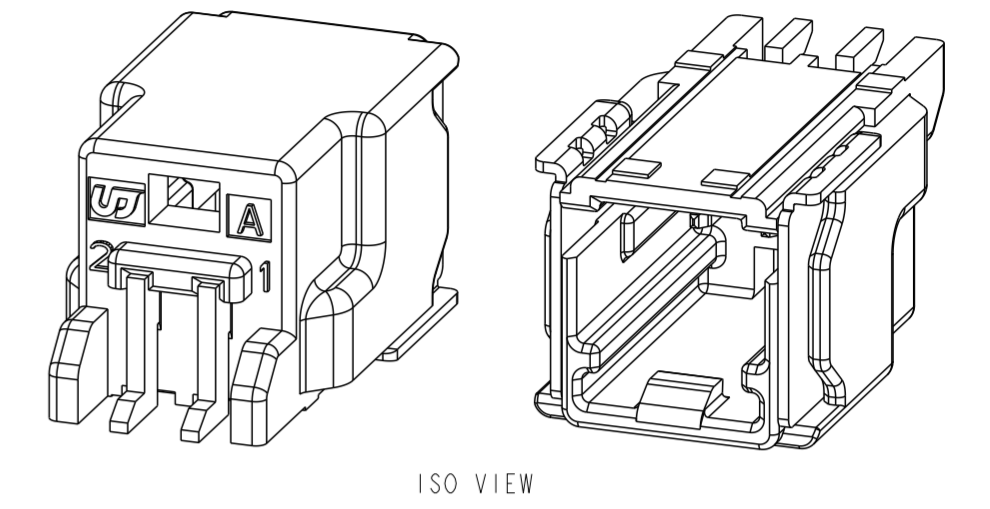
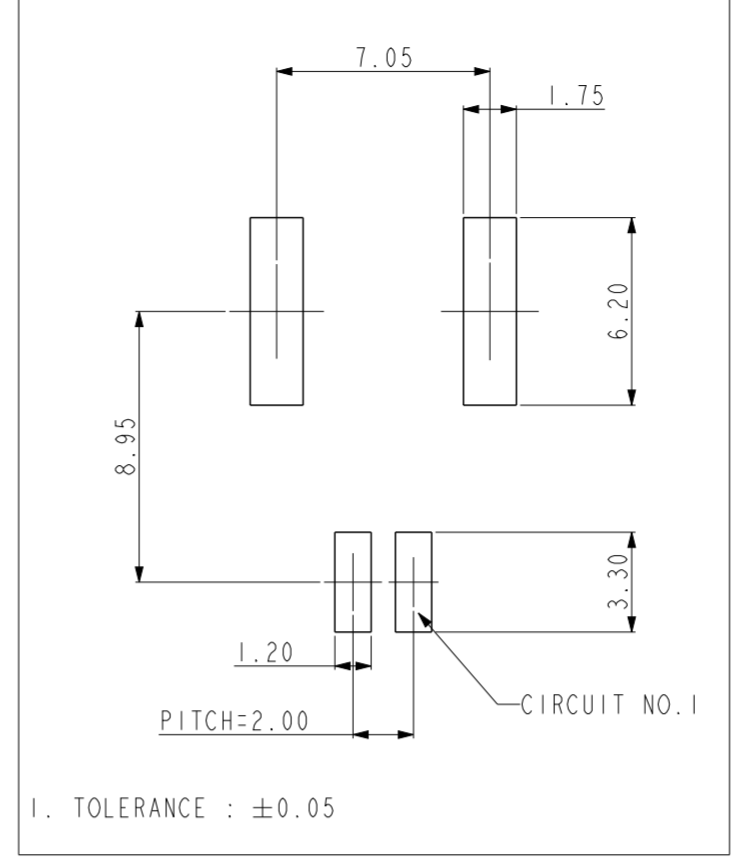


REV	REVISION RECORD	DATE	DRWN	CHKD	APVD
A	RELEASED (RD-2022-106)	11 AUG '22	KC	SJ	CY

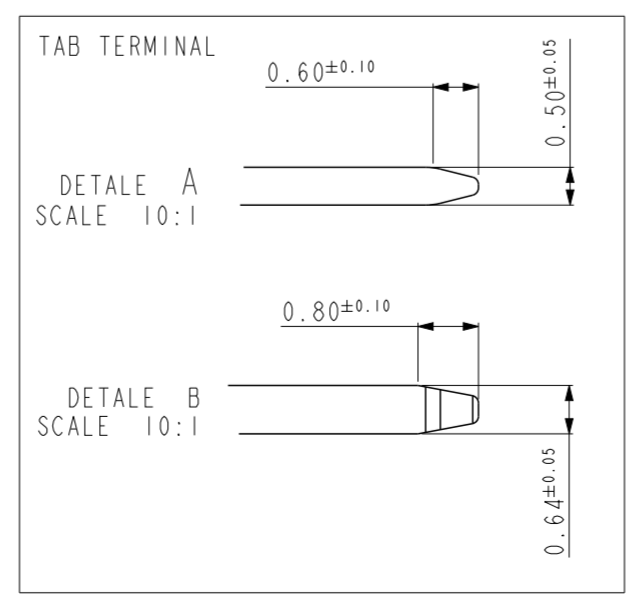
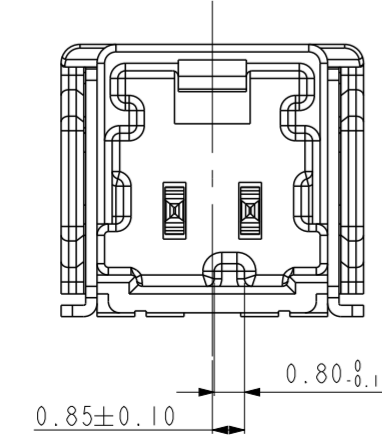
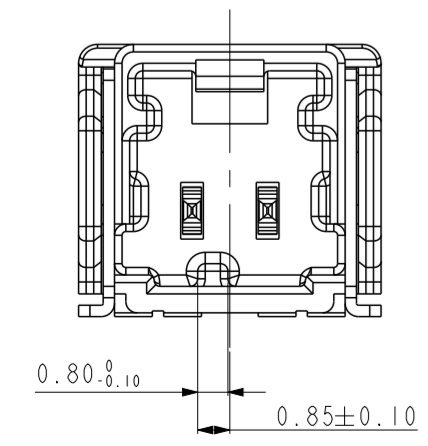
PCB PATTERN



- NOTE.
- GENERAL TOLERANCE : REFER TO DINI6742 TG5 SEPCIFICATION.
  - BURR 0.3 MAX.
  - NO CRACK
  - ALL LETTERS SHALL BE CLEAR AND LEGIBLE
  - MEASURING THE DIMENSIONS OF TAB TML AND SOLDER PEG.
  - FINISH TAB TML AND SOLDER PEG  
TIN PLATING : 2.5~4.0um MATTE OVER NICKEL PLATING 1.0~2.0um MATTE  
Au PLATING MIN. 0.38um
  - PACKING : EMBOSS TAPE
  - FLAMMABILITY : UL94 - HB
  - VACUM GRIP AREA FREE OF BURR AND FECTOR PINS. MAX Ø6.0mm

CODE A (NATURAL)

CODE B (BLACK)



NO	DESCRIPTION	MATERIAL	FINISH/COLOR	Q'TY
④	020 SMT SOLDER PEG-LEFT (H2T)	BRASS	POST-TIN	1
③	020 SMT SOLDER PEG-RIGHT (H2T)	BRASS	POST-TIN	1
②	020 SMT TAB TML(H2T)_Au	BRASS	POST-Au	2
①	020_D-SMT_2M_H-HSG_BK	PA9T GF30	BLACK	1
①	020_D-SMT_2M_H-HSG_NR	PA9T GF30	NATURAL	1

DRWN	KC.HAN	(주)우주 일렉트로닉스 UJU Electronics co.,Ltd.						
CHKD	SJ.LEE							
APVD	CY.CHOI	NAME	020_D-SMT_2M_H_ASSY_Au_G					
MATERIAL	SEE TABLE	CUSTOMER	DRAWING NO					
FINISH/COLOR	SEE TABLE	DRAWING	KH2110108					
PRODUCT SPEC	-	WEIGHT	LOC	RESTRICTED TO	SIZE	SCALE	SHEET	REV
			-	-	A2	5:1	1 OF 1	A