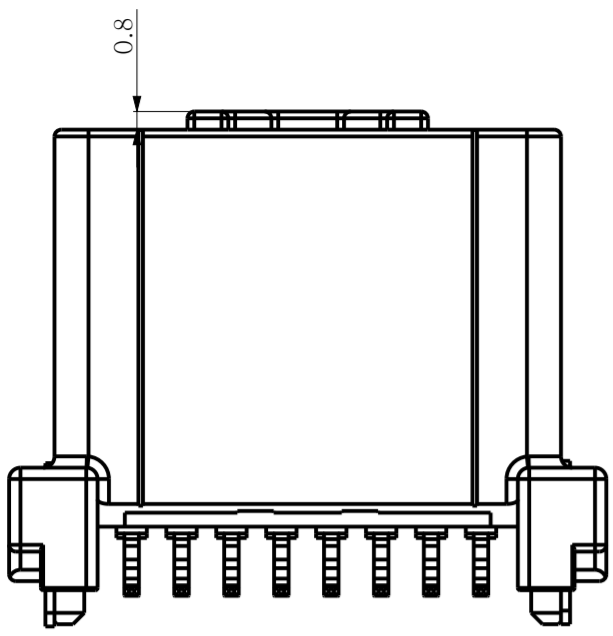
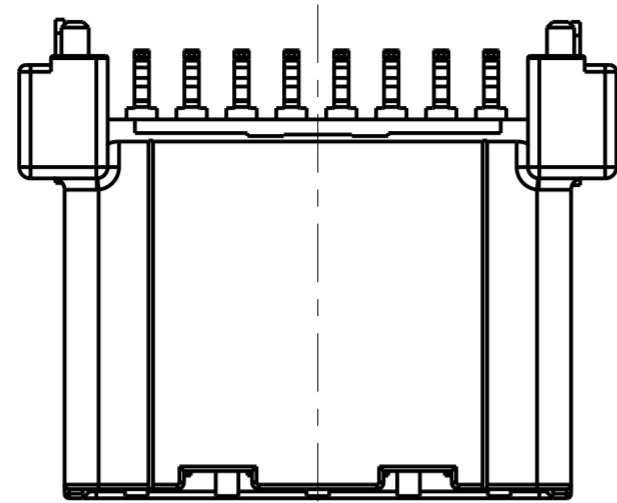


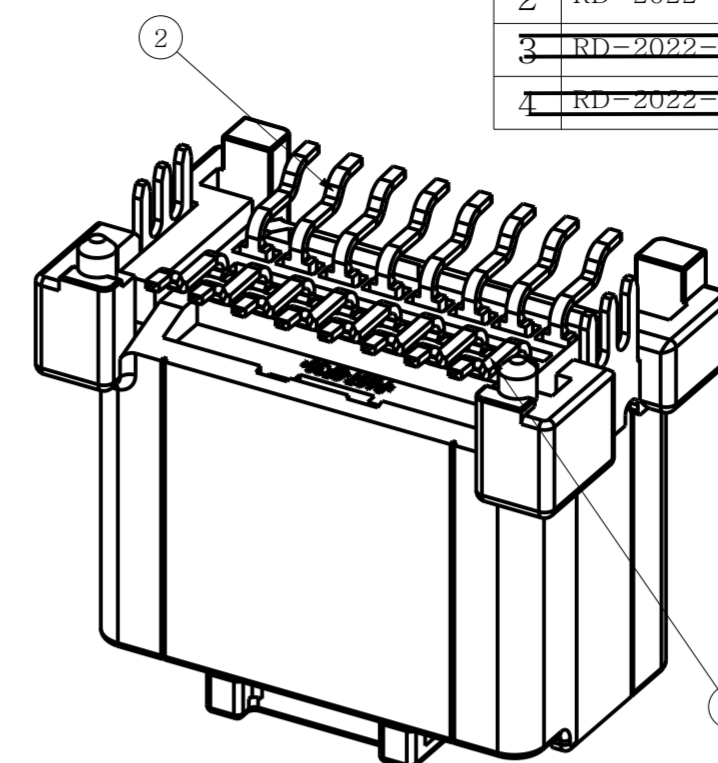
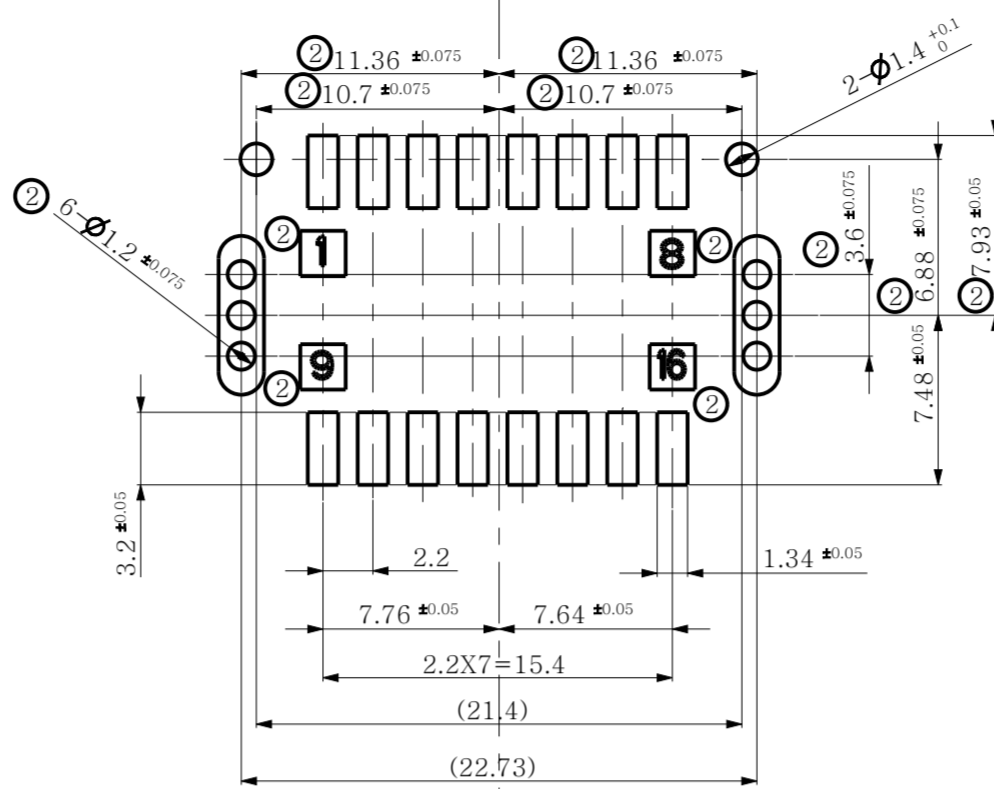
REV	REVISION RECORD	DATE	DRWN	CHKD	APVD
1	ENGINEERING CONTROLLED	03.NOV'21	JH	KH	CY
2	RD-2022-050 (고객 요청에 의한 PCB 치수 추가)	13APR'22	JH	SJ	CY
3	RD-2022-090 (고객 요청에 의한 타차 제거)	08.JUL'22	JH	SJ	CY
4	RD-2022-109 (고객 요청에 의한 KEY CODE 추가)	19.AUG'22	JH	SJ	CY



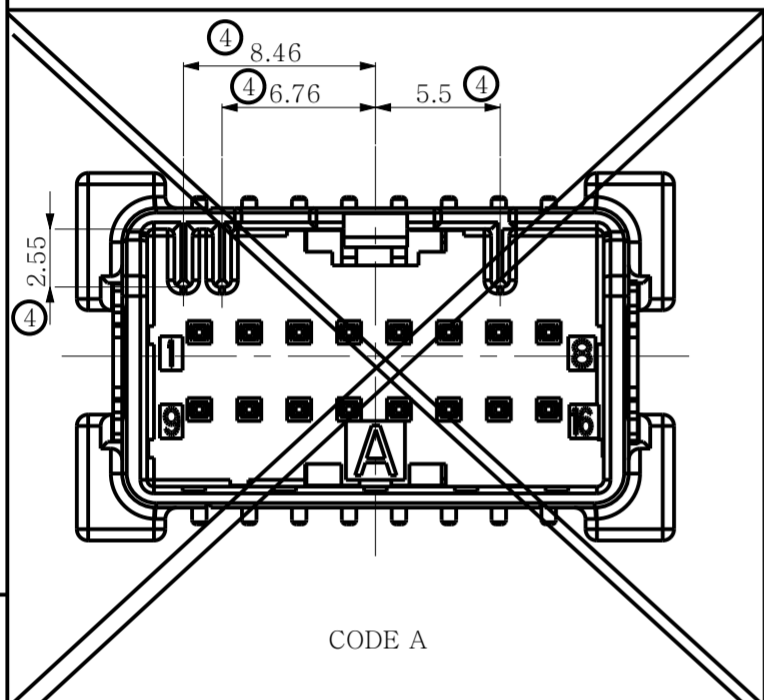
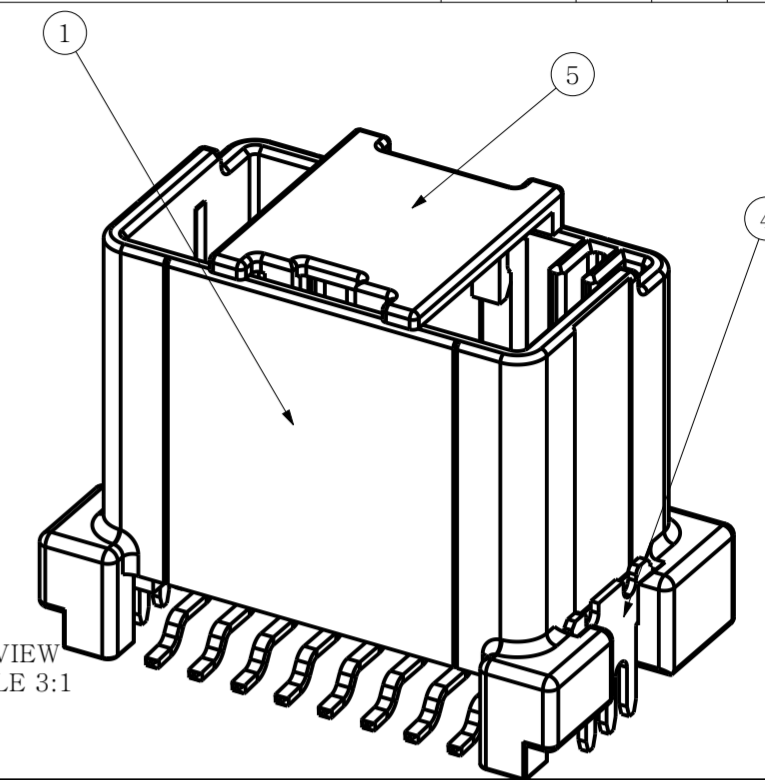
WITH COVER



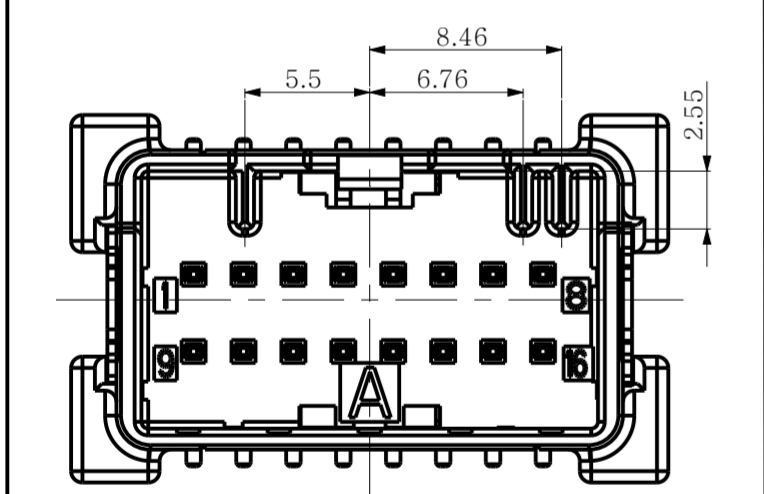
### PCB PATTERN



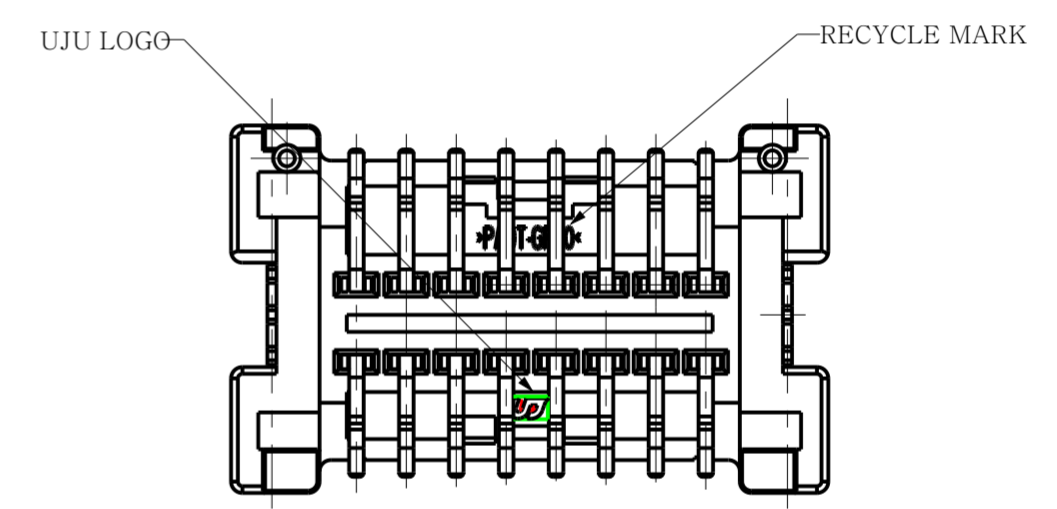
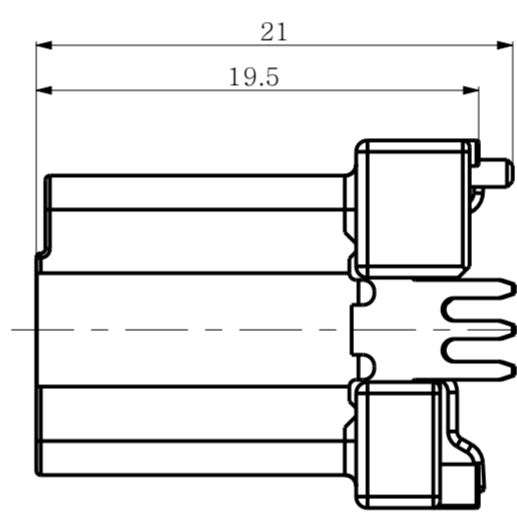
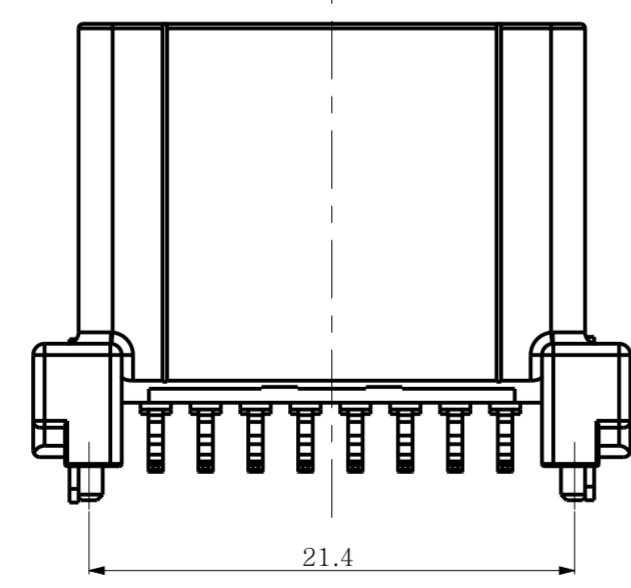
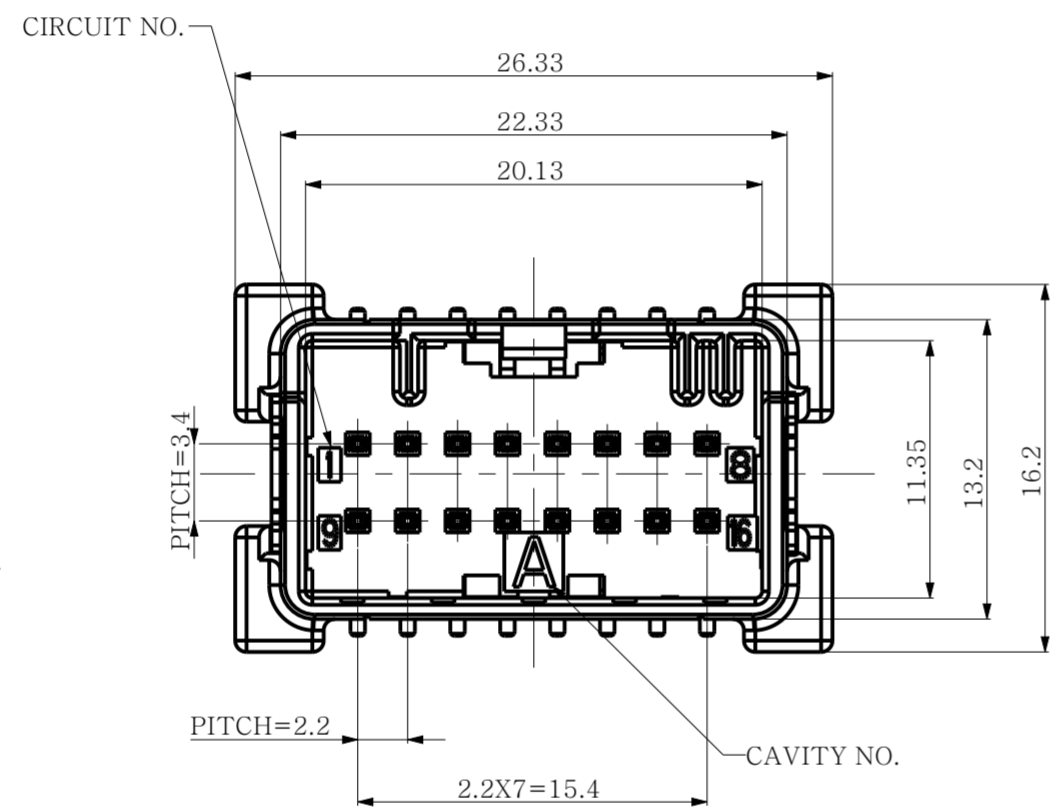
ISO VIEW  
SCALE 3:1



CODE A



CODE B



- NOTE
- General Tolerance : SEE TABLE TOLERANCE
  - HSG DESCRIPTION : SEE TABLE-1
  - MATERIAL
    - HDR HSG : PA9T-GF30
    - SOLDER PEG : COPPER ALLOY (POST-TIN)
    - TAB TML : COPPER ALLOY (POST-TIN)

TABLE-1

NO.	DESCRIPTION	PART NO.	CODE	MATERIAL	FINISH/COLOR	Q'TY
5	025_IL_SMT_COVER	KM2000070-20	-	PA9T-GF30	BLACK	1
4	TH_SMT_V_SOLDER PEG	KM2000069-20	-	BRASS	POST-TIN	2
3	025_IL_SMT_V_TAB(L)	KM2000068-20	-	BRASS	POST-TIN	8
2	025_IL_SMT_V_TAB(S)	KM2000067-20	-	BRASS	POST-TIN	8
1	025_IL_SMT_16M_V_HSG	KM2100105-21	-	PA9T-GF30	BLACK	1
		KM2100105-10	-		NATURAL	1

TOLERANCE							
10MAX	30MAX	50MAX	70MAX	100MAX	120MAX	250MAX	250VR
±0.15	±0.20	±0.30	±0.40	±0.50	±0.75	±0.9	±1.4
ANGLE	±0.5도						

TOLERANCES UNLESS OTHERWISE SPECIFIED	UNIT MM	THIRD ANGLE PROJECTION
0		
0.0		
0.00		
0.000		
0.0000		
ANGLES		
PRODUCT SPEC	APPLICATION SPEC	WEIGHT

DRWN	JH.RYU	 (주)우주일렉트로닉스 UJU Electronics co.,Ltd.	NAME			
CHKD	KH.PARK		025_IL_SMT_16M_V_ASSY			
APVD	CY.CHOI		CUSTOMER DRAWING			
MATERIAL		DRAWING NO.		KH2100104		
FINISH/COLOR		RESTRICTED TO		SIZE	SCALE	
SEE TABLE-1		LOC		A2	3:1	
SEE TABLE-1		SHEET		1 OF 1	REV	
		REV		4		