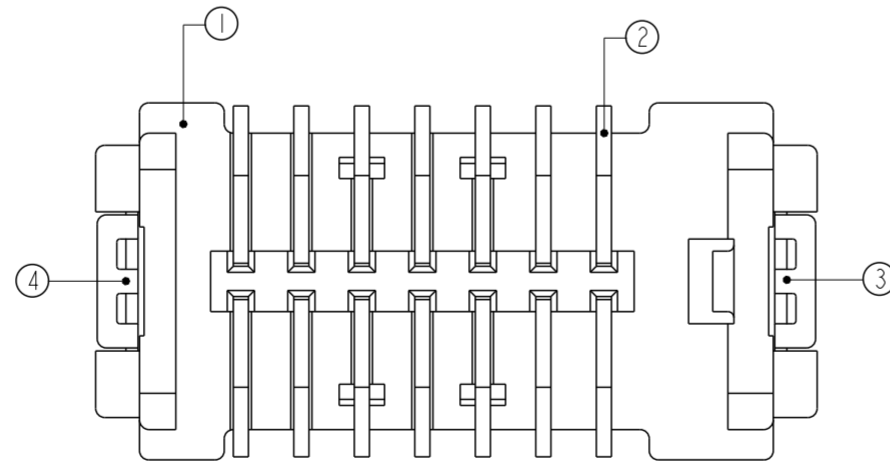
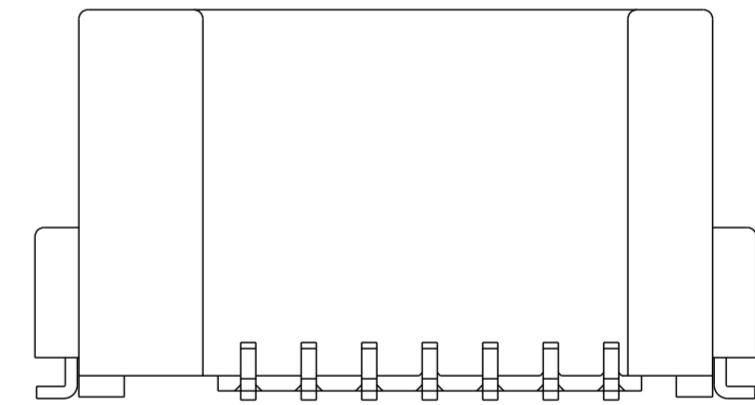
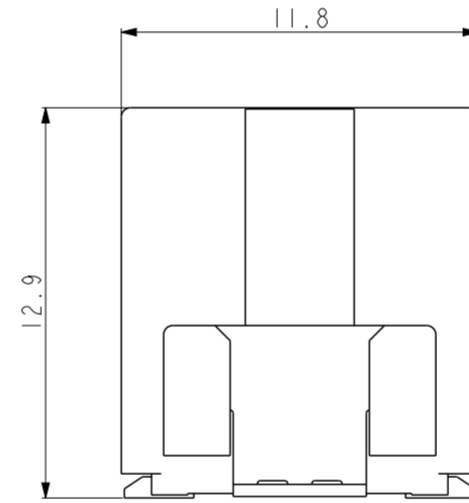
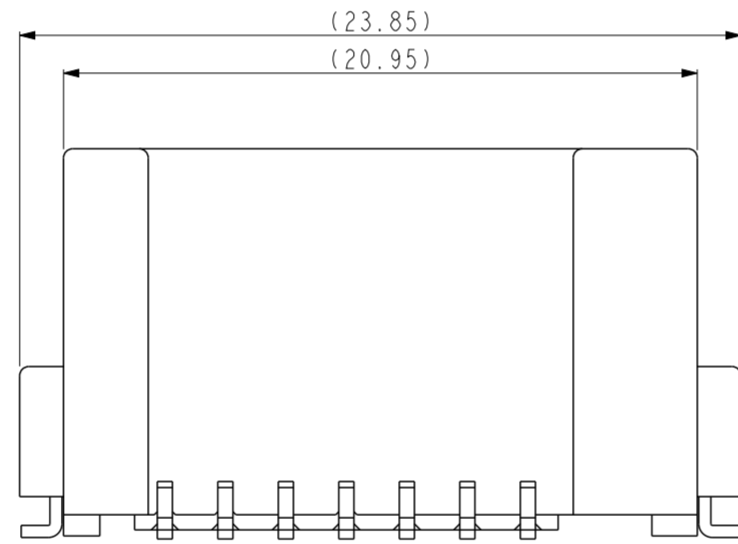
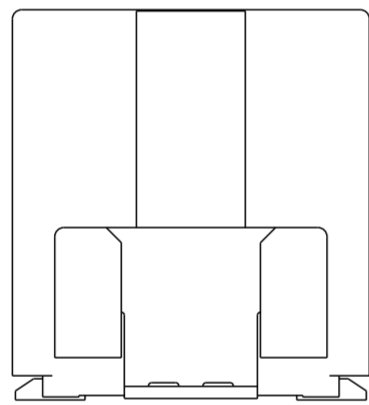
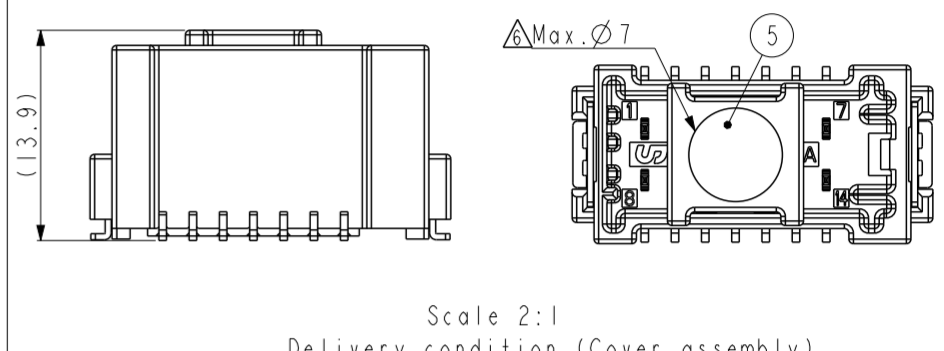
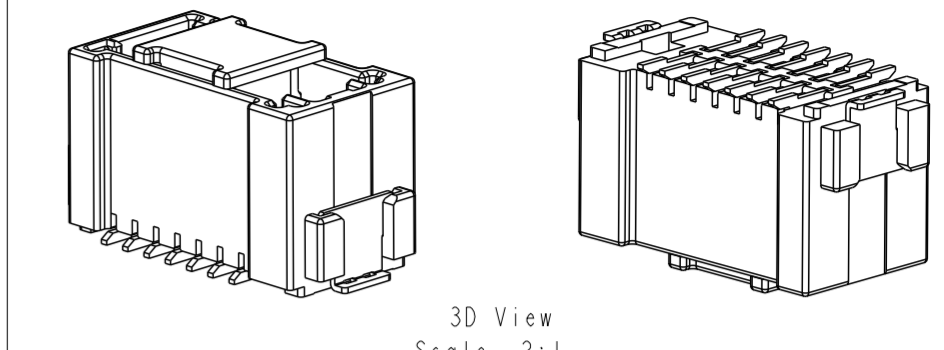
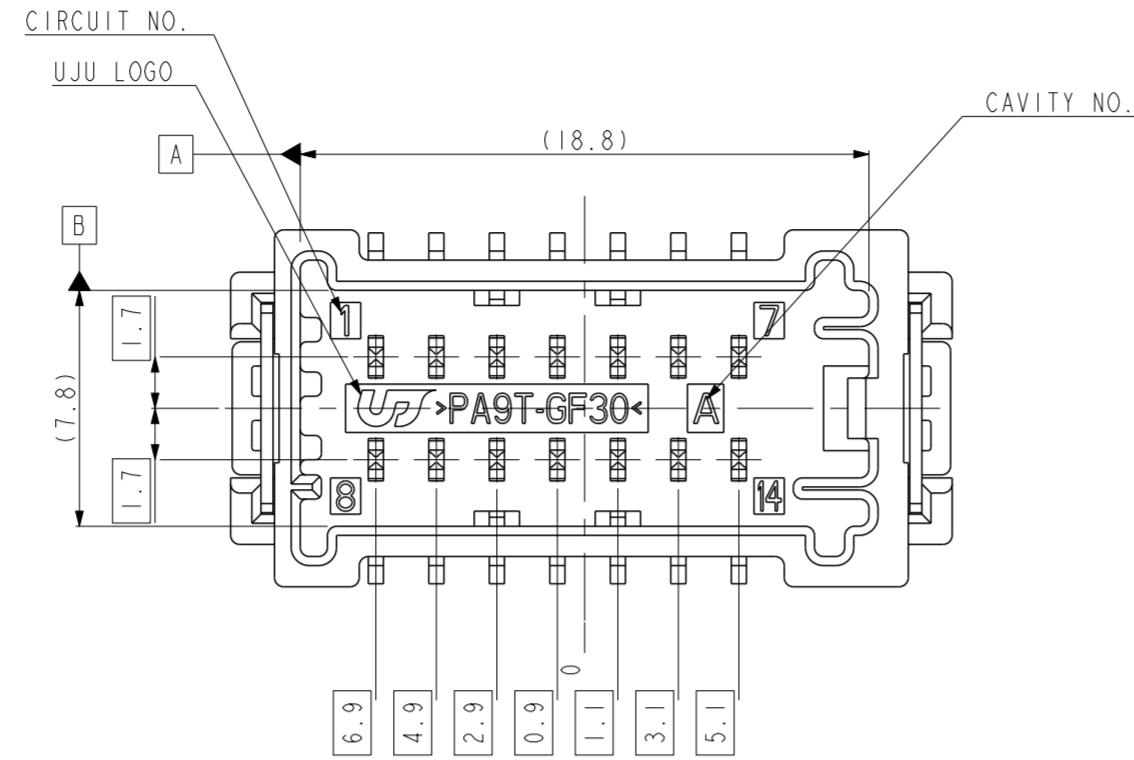
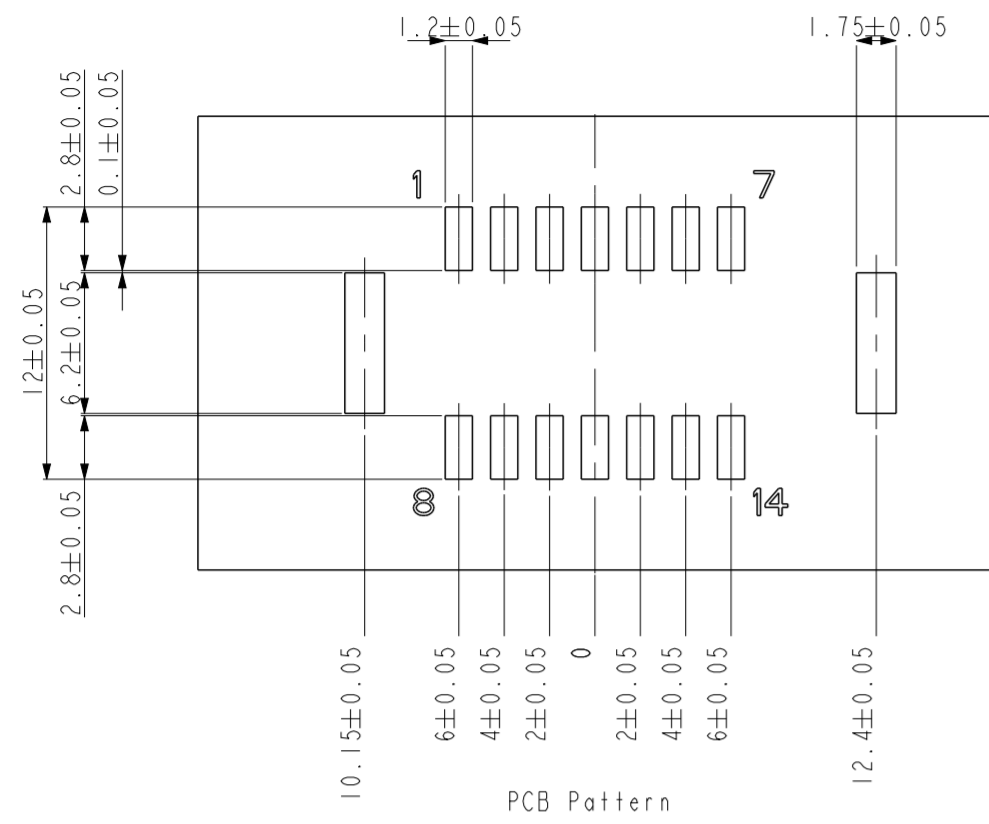
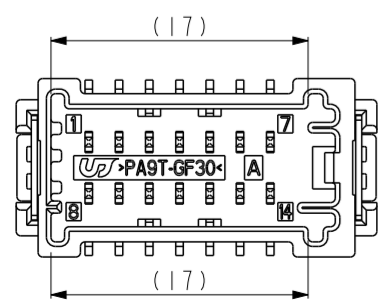


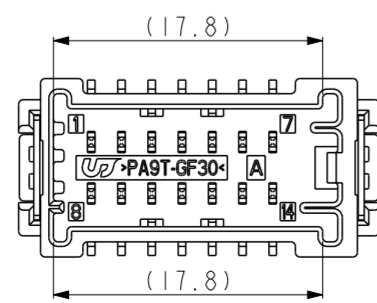
REV	REVISION RECORD	DATE	DRWN	CHKD	APVD
A	RELEASED (RD-2022-105)	05 AUG '22	KC	SJ	CY



- Note-
- General Tolerance : ±0.30
  - Burr Max.0.3
  - No crack
  - All letters shall be clear and legible.
  - Packing : Emboss tape
- △ Vacuum grip area free of burr and factor pins, Max.Ø7.0



Code A (Natural)  
Scale 2:1



Code B (Black)  
Scale 2:1

Description	Part No.	Code
020_D_TR_SMT_I4M_V_ASSY_BK	KH2100078-21	B
020_D_TR_SMT_I4M_V_ASSY_NR	KH2100078-10	A

No.	Description	Material	Finish/Color	Q'TY
5	020_D_TR_SMT_COVER	PA9T-GF30	Black	1
4	025_SMT_V_SPeg_L	Copper alloy	Post-Sn	1
3	025_SMT_V_SPeg_R	Copper alloy	Post-Sn	1
2	020_SMT_V_Tab	Copper alloy	Post-Sn	14
1	020_D_TR_SMT_I4M_V_HSG_BK	PA9T-GF30	Black	-
	020_D_TR_SMT_I4M_V_HSG_NR	PA9T-GF30	Natural	1

DRWN	KC.HAN	(주)우주 일렉트로닉스 UJU Electronics co.,Ltd.	NAME			
CHKD	SJ.LEE		020_D_TR_SMT_I4M_V_ASSY			
APVD	CY.CHOI		CUSTOMER DRAWING		DRAWING NO	
MATERIAL		SEE TABLE		KH2100078		
FINISH/COLOR		SEE TABLE		LOC	RESTRICTED TO	
WEIGHT		SIZE	SCALE	SHEET	REV	
PRODUCT SPEC		A2	4:1	1 OF 1	A	

TOLERANCES UNLESS OTHERWISE SPECIFIED	UNIT MM
0	THIRD ANGLE PROJECTION
0.0	
0.00	
0.000	
0.0000	
ANGLES	
PRODUCT SPEC	APPLICATION SPEC