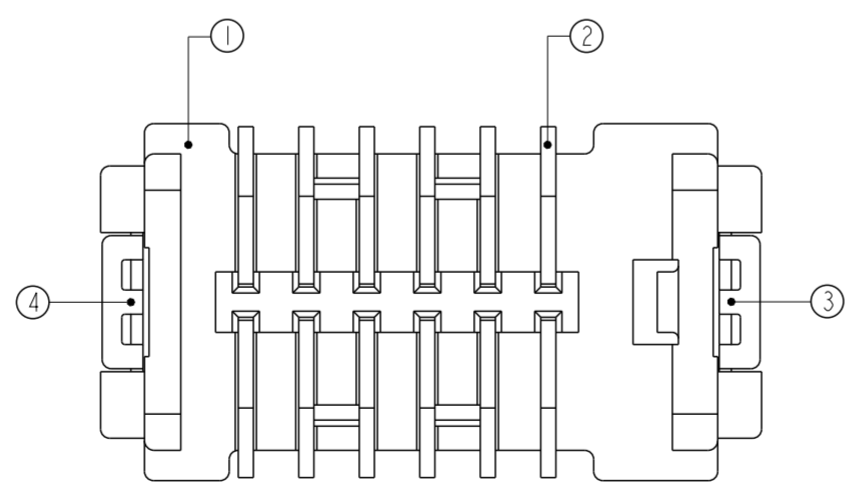
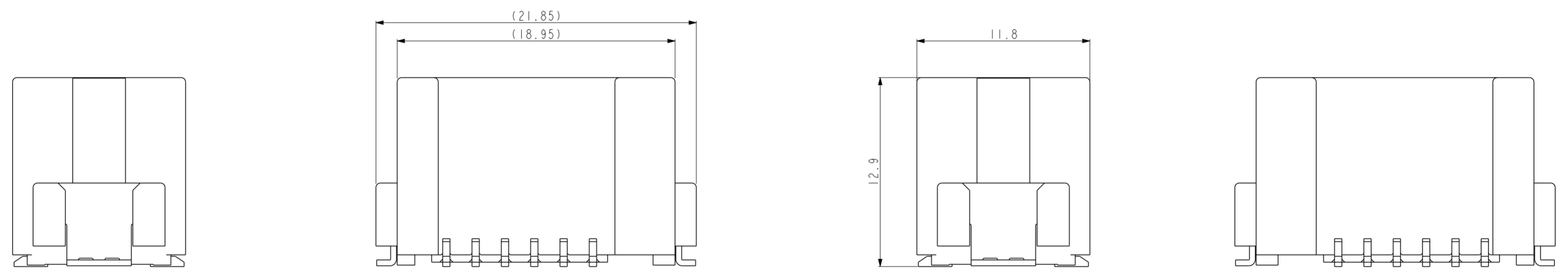
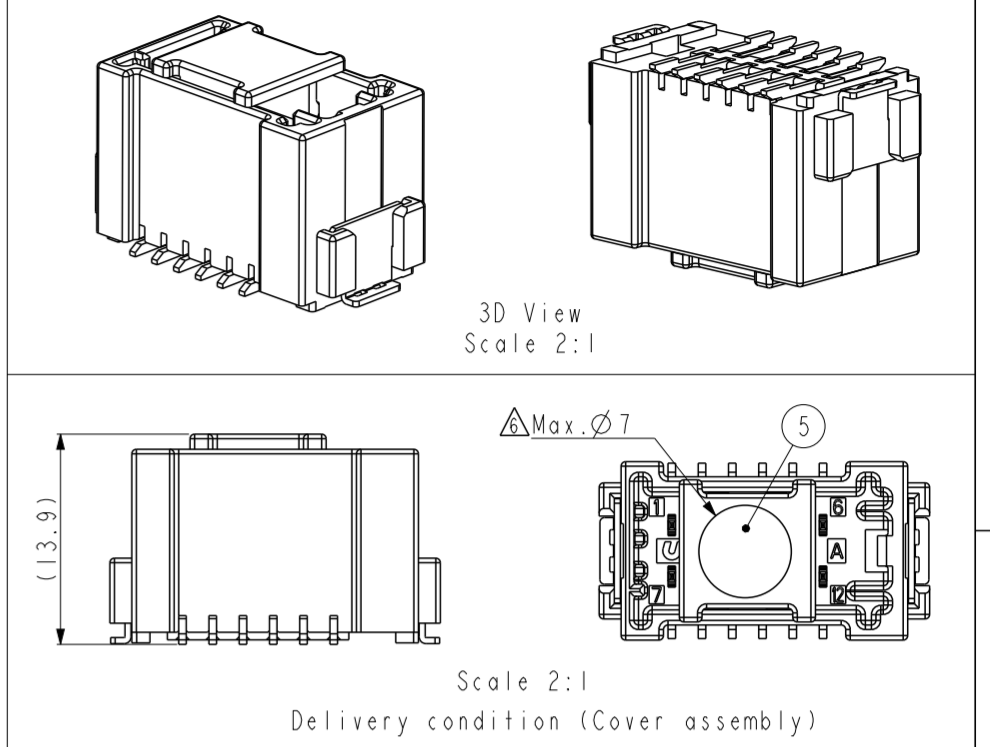
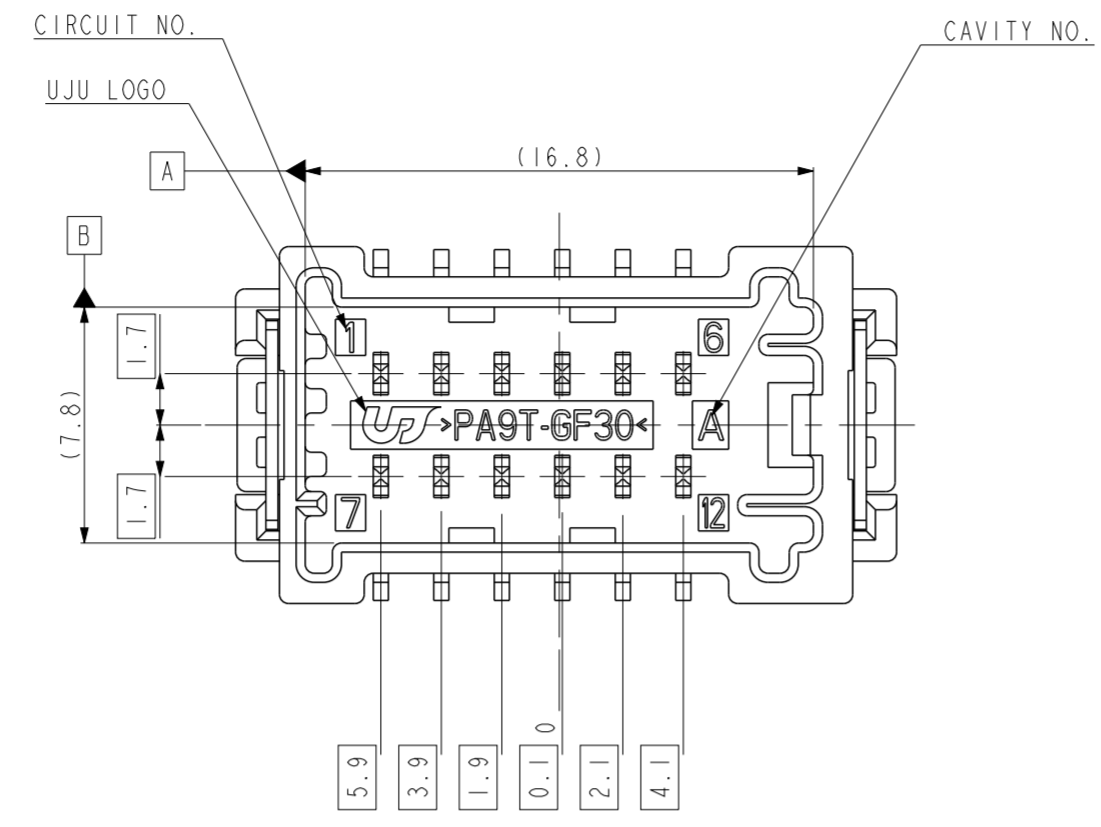
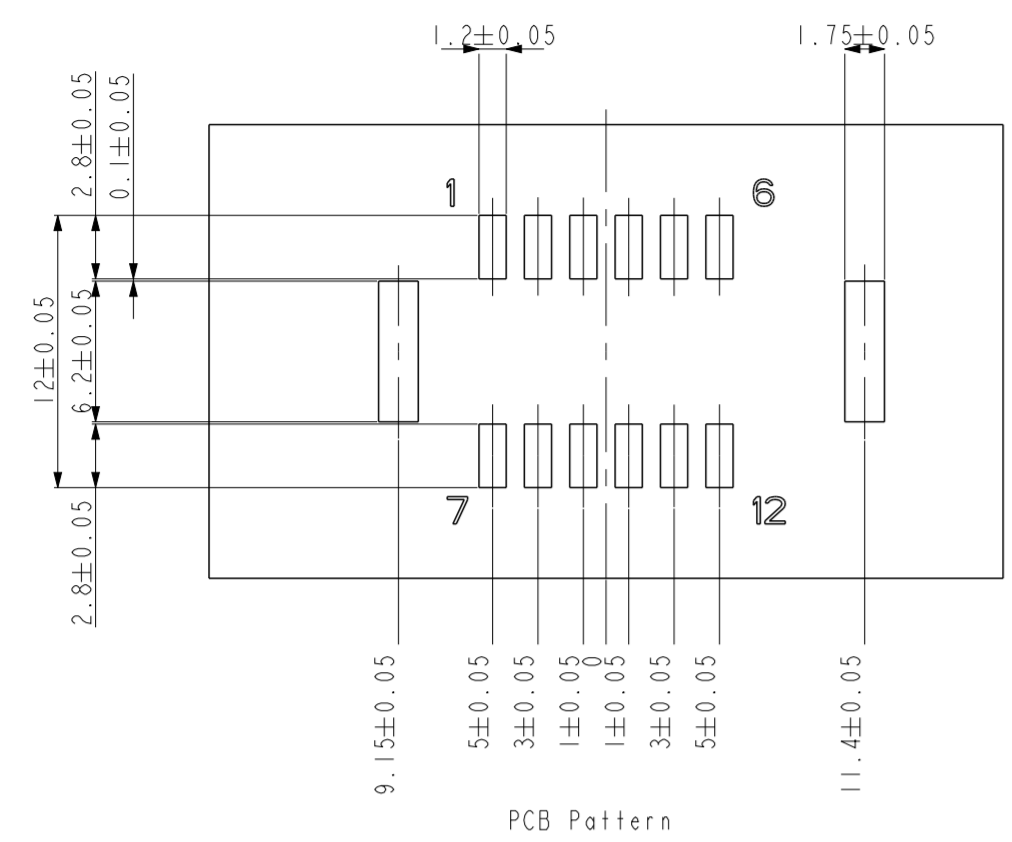
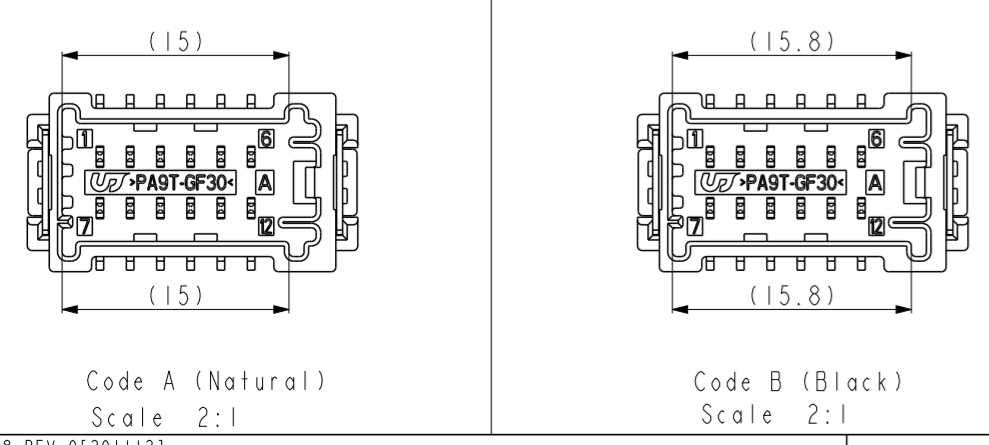


REV	REVISION RECORD	DATE	DRWN	CHKD	APVD
A	RELEASED (RD-2022-105)	05 AUG '22	KC	SJ	CY



NOTE.
 1. General tolerance : ±0.30
 2. Burr Max.0.3
 3. No crack
 4. All letters shall be clear and legible.
 5. Packing : Emboss tape
 △ Vacuum grip area free of burr and factor pins, Max.Ø7.0



No.	Description	Material	Finish/Color	Q'ty
5	020_D_TR_SMT_COVER	PA9T-GF30	Black	1
4	025_SMT_V_SPeg_L	Copper alloy	Post-Sn	1
3	025_SMT_V_SPeg_R	Copper alloy	Post-Sn	1
2	020_SMT_V_Tab	Copper alloy	Post-Sn	12
1	020_D_TR_SMT_I2M_V_HSG_BK	PA9T-GF30	Black	-
	020_D_TR_SMT_I2M_V_HSG_NR	PA9T-GF30	Natural	1

Description		Part No.	Code
020_D_TR_SMT_I2M_V_ASSY_BK		KH2100076-21	B
020_D_TR_SMT_I2M_V_ASSY_NR		KH2100076-10	A

DRWN	KC.HAN	(주)우주일렉트로닉스 UJU Electronics co.,Ltd.	NAME	
CHKD	SJ.LEE		020_D_TR_SMT_I2M_V_ASSY	
APVD	CY.CHOI		CUSTOMER DRAWING	DRAWING NO
MATERIAL		SEE TABLE	KH2100076	
FINISH/COLOR		SEE TABLE	LOC	RESTRICTED TO
WEIGHT			SIZE	SCALE
PRODUCT SPEC		APPLICATION SPEC	A2	4:1
			SHEET	REV
			1 OF 1	A