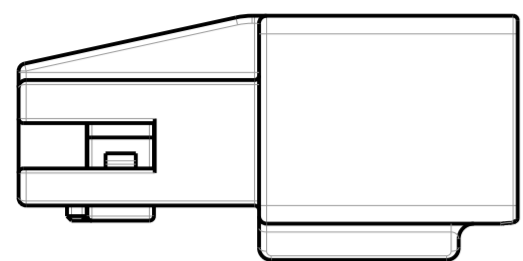
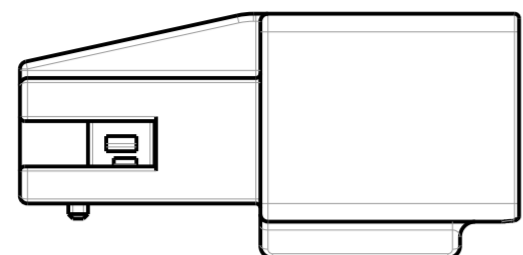


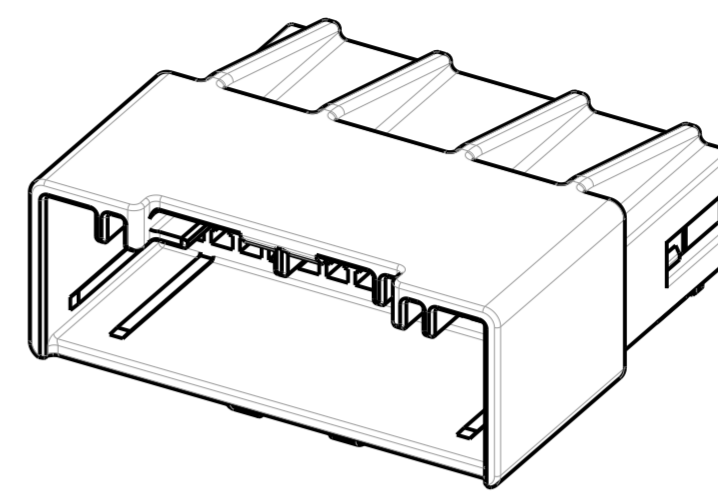
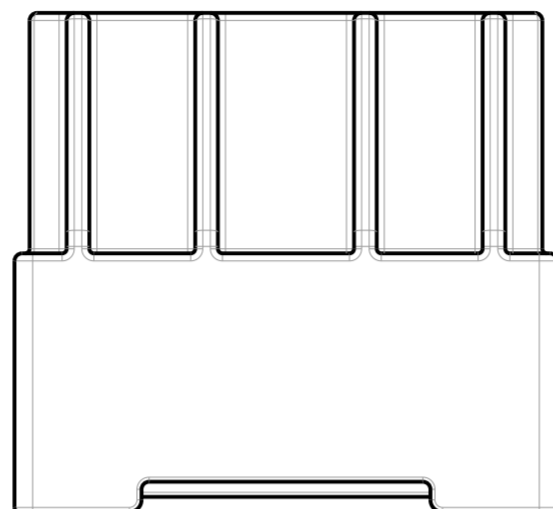
TPA LOCKING POSITION



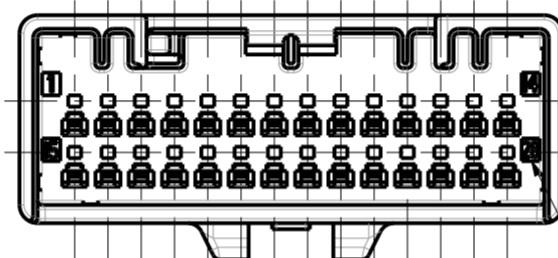
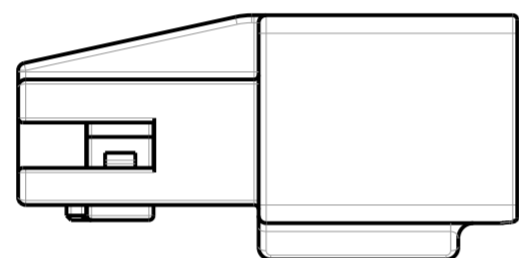
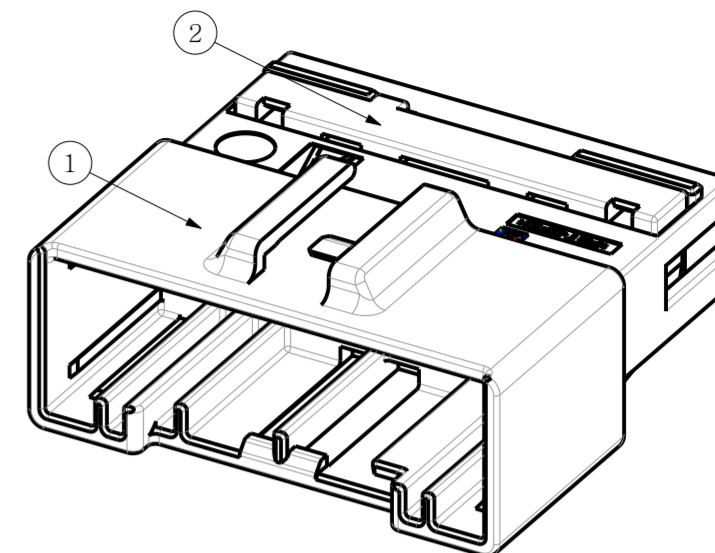
1st LOCK POSITION
(DELIVERY SHAPE FOR CUSTOMER)



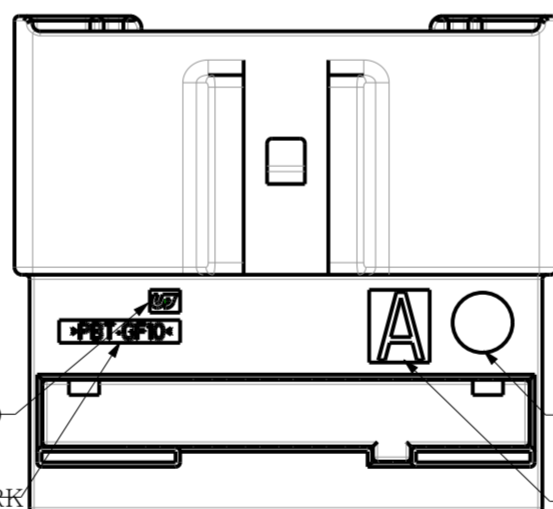
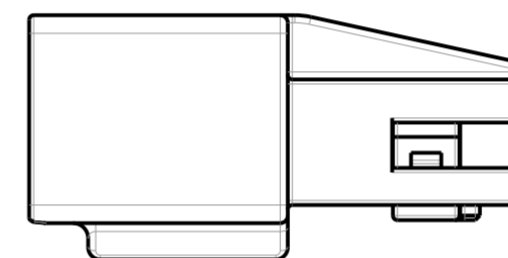
2nd LOCK POSITION



ISO VIEW



CIRCUIT NO.



UJU LOGO
RECYCLE MARK

DATE MARK (MM/YY)
CAVITY NO.

NOTE

1. GENERAL TOLERANCE : SEE TABLE TOLERANCE
2. DELIVERY CONDITION : TPA FIRST LOCK POSITION
3. HSG DESCRIPTION : SEE TABLE-1
4. APPLICABLE RECEPTACLE TERMINAL : SEE TABLE-2
5. REFERENCE MATING CONNECTOR IS KH2100055

TOLERANCE

| 10MAX | 30MAX | 50MAX | 70MAX | 100MAX | 120MAX | 250MAX | 250VR | ANGLE |
|--------|--------|--------|--------|--------|--------|--------|-------|--------|
| ± 0.15 | ± 0.20 | ± 0.30 | ± 0.40 | ± 0.50 | ± 0.75 | ± 0.9 | ± 1.4 | ± 0.5° |

TABLE-1

| DESCRIPTION | PART NO. | CODE | MATERIAL | FINISH/COLOR |
|--------------------|--------------|------|----------|--------------|
| 025_IL_28M_ASSY_NR | KH2100058-10 | - | PBT-GF10 | NATURAL |
| 025_IL_28M_ASSY_BK | KH2100058-20 | - | PBT-GF10 | BLACK |

TABLE-2

| DESCRIPTION | PART NO. | WIRE RANGE | MATERIAL | FINISH |
|--------------------------|--------------|--------------|--------------|---------|
| 025_IL_MALE_TERMINAL (M) | KH2000017-21 | 0.3 ~ 0.5 SQ | COPPER ALLOY | PRE-TIN |

| NO. | DESCRIPTION | PART NO. | CODE | MATERIAL | FINISH/COLOR | Q'TY |
|-----|-------------------|--------------|------|----------|--------------|------|
| 2 | 025_IL_28M_TPA_GR | KM2100060-30 | - | PBT-GF10 | GRAY | 1 |
| 1 | 025_IL_28M_HSG_NR | KM2100059-10 | - | PBT-GF10 | NATURAL | 1 |
| | 025_IL_28M_HSG_BK | KM2100059-20 | - | PBT-GF10 | BLACK | 1 |

| ASSY DESCRIPTION | ASSY PART NO. | CODE |
|--------------------|---------------|------|
| 025_IL_28M_ASSY_NR | KH2100058-10 | - |
| 025_IL_28M_ASSY_BK | KH2100058-20 | - |

| REV | REVISION RECORD | DATE | DRWN | CHKD | APVD |
|-----|------------------------|-----------|------|------|------|
| 1 | ENGINEERING CONTROLLED | 17.JUN'21 | SJ | KH | CY |

| | | | | | |
|--------------------------------------------------------------------------------------------------------------------|-----------------------------------|--------------|------------------------------------------|--------------|-------|
| TOLERANCES UNLESS OTHERWISE SPECIFIED 0 ± 0.0 ± 0.00 ± 0.000 ± 0.0000 ± ANGLES ± PRODUCT SPEC | UNIT MM THIRD ANGLE PROJECTION | DRWN SJ.LEE | (주)우주 일렉트로닉스 UJU Electronics co.,Ltd. | | |
| | | CHKD KH.PARK | | | |
| | | APVD CY.CHOI | | | |
| MATERIAL SEE TABLE | NAME 025_IL_28M_ASSY | | | | |
| FINISH/COLOR SEE TABLE | CUSTOMER DRAWING | | | | |
| WEIGHT | DRAWING NO. KH2100058 | | | | |
| APPLICATION SPEC | LOC RESTRICTED TO | SIZE A2 | SCALE 2:1 | SHEET 1 OF 1 | REV 1 |