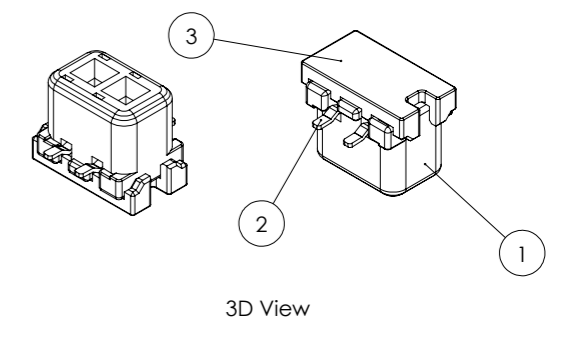
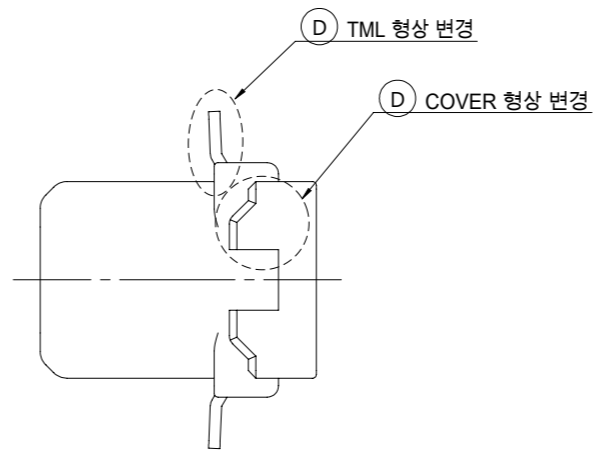
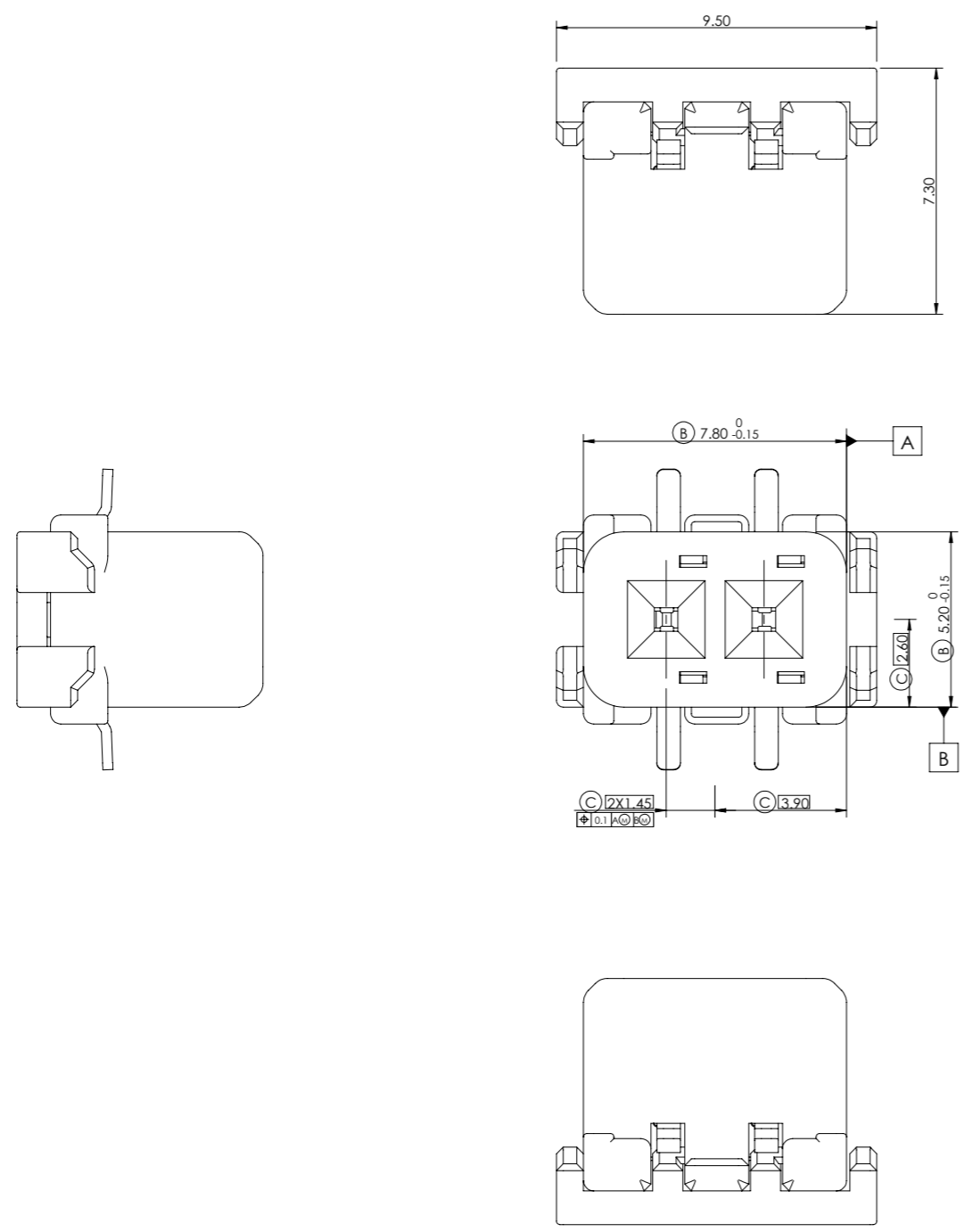
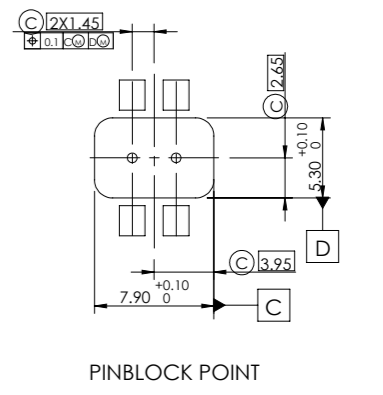
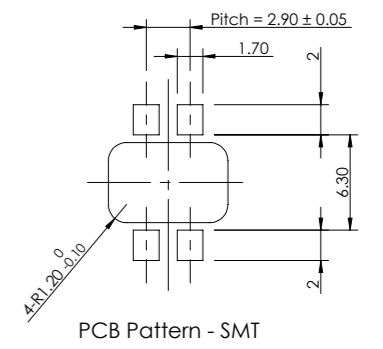


REV	REVISION RECORD	DATE	DRWN	CHKD	APVD
A	ENGINEERING RELEASED	18 MAR '21	WJ	KH	CY
B	REVISED(RD-2021-064) PCB 매칭부 공차 변경	13 MAY '21	WJ	KH	CY
C	REVISED(RD-2021-090) 진위치 정보 추가	22 JUN '21	WJ	KH	CY
D	REVISED(RD-2022-015) 쇼트볼량으로 인한 COVER,TML 형상변경	07 FEB '22	WJ	KH	CY



PCB PATTERN



- Note-
1. General Tolerance : See Blow
 2. Burr side is not permitted.
 3. No crack

No.	Description	Part No.	Material	Finish / Color	Q'ty
3	025_BTP_SMT_V_COVER	KM2000031-20	LCP-GF30(E130i)	Post-Tin	1
2	025_BTP_SMT_V_TML_POT_B	KM2000030-21	PMC26R-H	Post-Tin	3
1	025_BTP_SMT_2F_V_HSG	KM2000045-20	LCP-GF30(E130i)	Black	1

KH2000044-20
Ass'y Part No.

GENERAL TOLERANCE									
	10MAX	30MAX	50MAX	70MAX	100MAX	120MAX	250MAX	250VR	ANGLE
A	±0.15	±0.2	±0.3	±0.4	±0.5	±0.75	±0.9	±1.4	±30'

TOLERANCES UNLESS OTHERWISE SPECIFIED		UNIT MM	THIRD ANGLE PROJECTION	DRWN WJ. CHO	 (주)우주 일렉트로닉스 UJU Electronics co.,Ltd.
0 ±				CHKD KH. PARK	
0.0 ±				APVD CY. CHOI	
0.00 ±				MATERIAL SEE TABLE	NAME 025_BTP_SMT_2F_V_ASSY
0.000 ±				FINISH/COLOR SEE TABLE	CUSTOMER
0.0000 ±					DRAWING NO KH2000044
ANGLES ±					DRAWING
PRODUCT SPEC		APPLICATION SPEC	WEIGHT	LOC	RESTRICTED TO
				SIZE A3	SCALE 5:1
				SHEET 1 OF 1	REV A