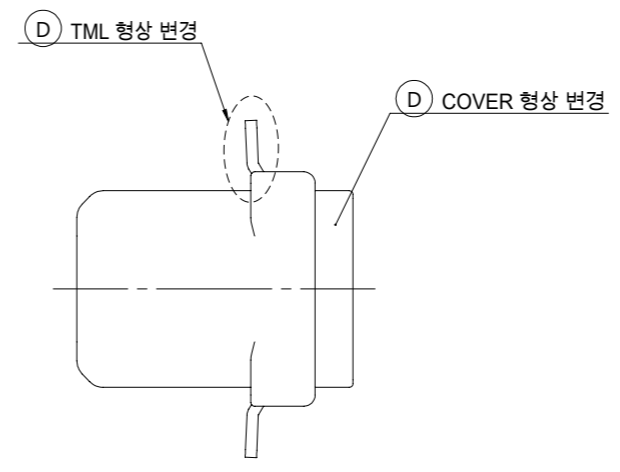
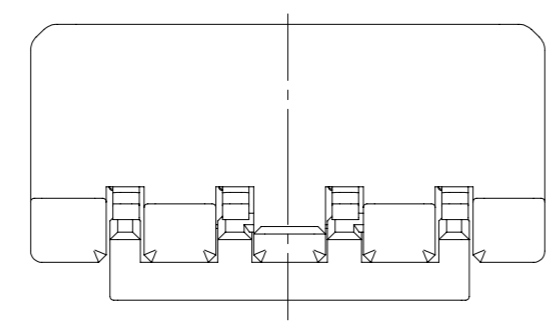
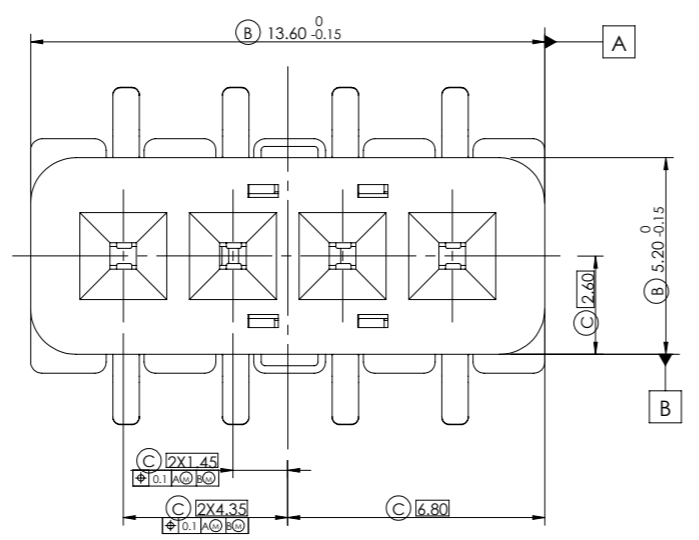
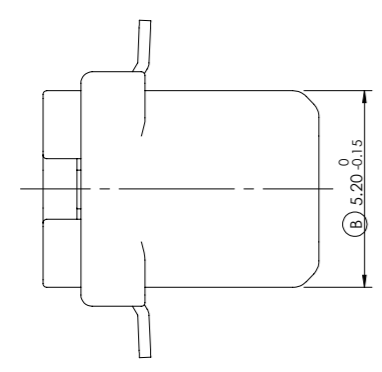
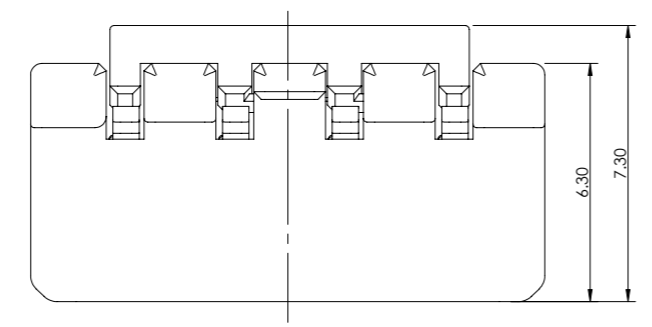
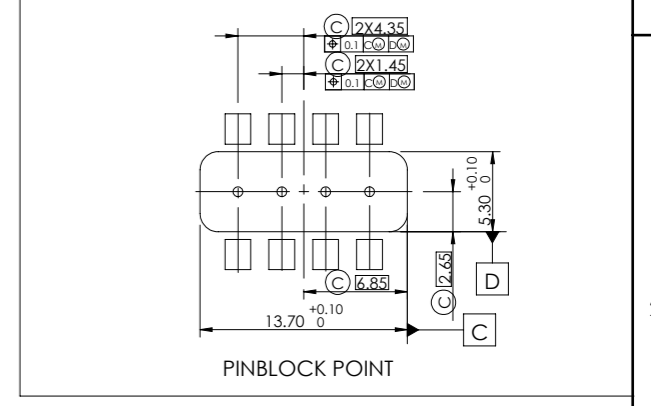
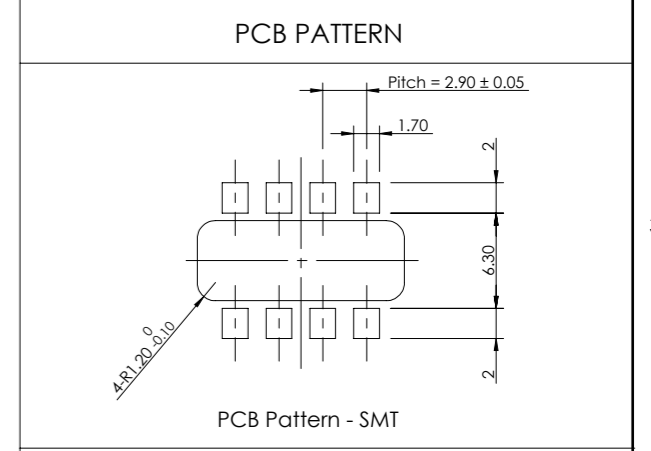
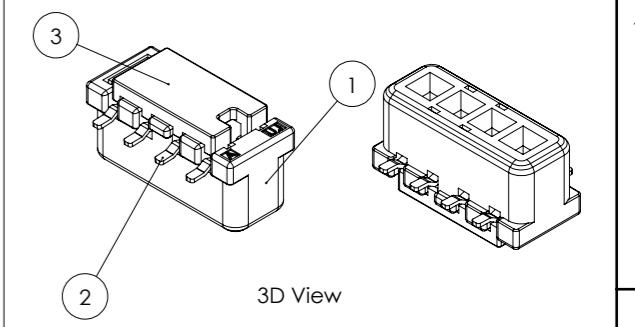


REV	REVISION RECORD	DATE	DRWN	CHKD	APVD
A	ENGINEERING RELEASED	18 MAR '21	WJ	KH	CY
B	REVISED(RD-2021-064) PCB 매칭부 공차 변경	13 MAY '21	WJ	KH	CY
C	REVISED(RD-2021-090) 진위치 정보 추가	22 JUN '21	WJ	KH	CY
D	REVISED(RD-2022-015) 소프트웨어로 인한 COVER,TML 형상변경	07 FEB '22	WJ	KH	CY



- Note-
- General Tolerance : See Blow
 - Burr side is not permitted.
 - No crack

No.	Description	Part No.	Material	Finish / Color	Q'ty
3	025_BTP_SMT_V_COVER	KM2000031-20	LCP-GF30(E130i)	Post-Tin	1
2	025_BTP_SMT_V_TML_POT_B	KM2000030-21	PMC26R-H	Post-Tin	3
1	025_BTP_SMT_4F_V_HSG	KM2000029-20	LCP-GF30(E130i)	Black	1

KH2000028-20
Ass'y Part No.

GENERAL TOLERANCE								ANGLE	
10MAX	30MAX	50MAX	70MAX	100MAX	120MAX	250MAX	250VR		
A	±0.15	±0.2	±0.3	±0.4	±0.5	±0.75	±0.9	±1.4	±30'

TOLERANCES UNLESS OTHERWISE SPECIFIED		UNIT MM	THIRD ANGLE PROJECTION		DRWN WJ. CHO	(주)우주일렉트로닉스 UJU Electronics co.,Ltd.	
0	±				CHKD KH. PARK		
0.0	±				APVD CY. CHOI	NAME 025_BTP_SMT_4F_V_ASSY	
0.00	±				MATERIAL	SEE TABLE	
0.000	±				FINISH/COLOR	SEE TABLE	
0.0000	±				WEIGHT		
ANGLES	±					CUSTOMER DRAWING NO KH2000028	
PRODUCT SPEC		APPLICATION SPEC				LOC	RESTRICTED TO
						SIZE	SCALE
						A3	5:1
						SHEET	1 OF 1
						REV	A