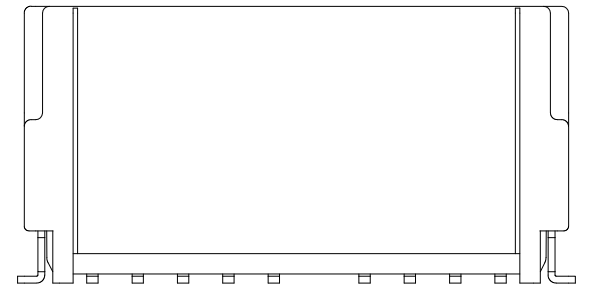
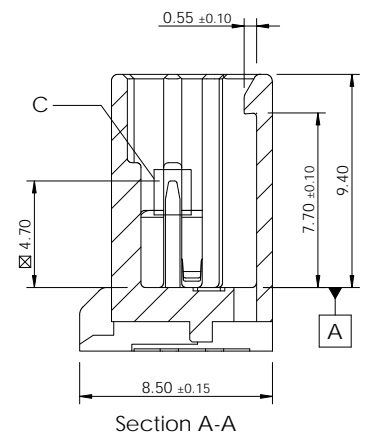
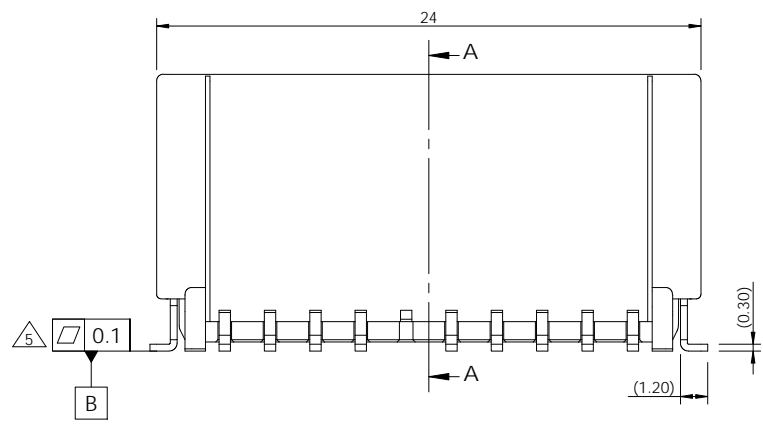
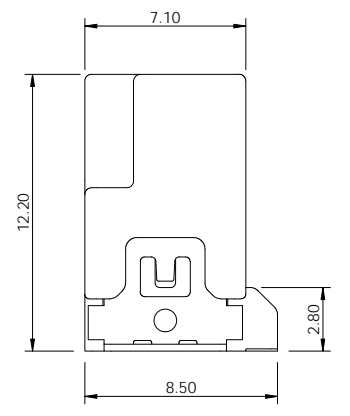
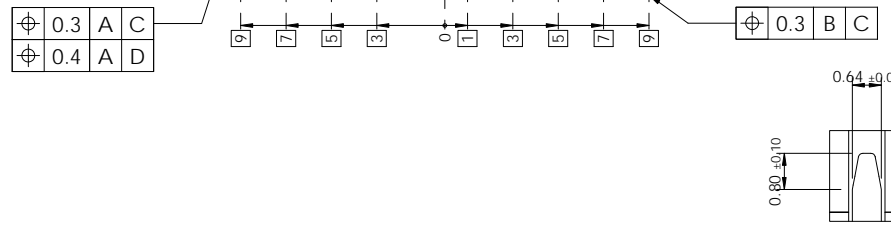
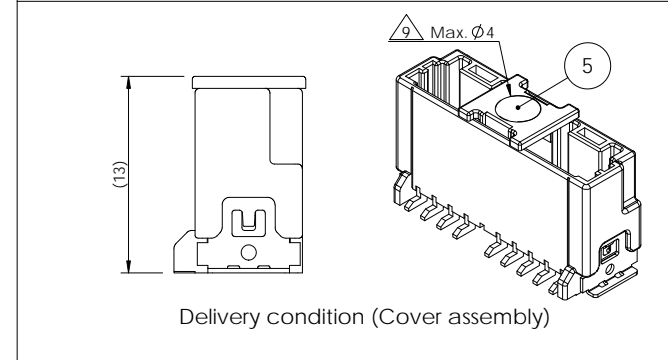
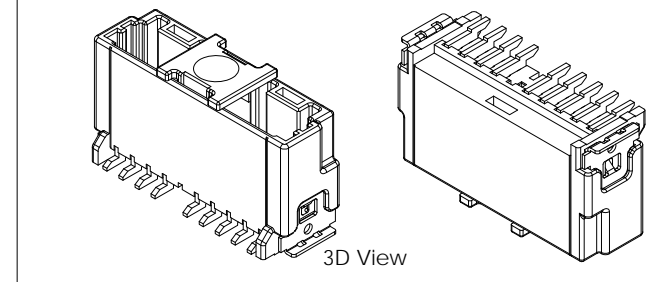
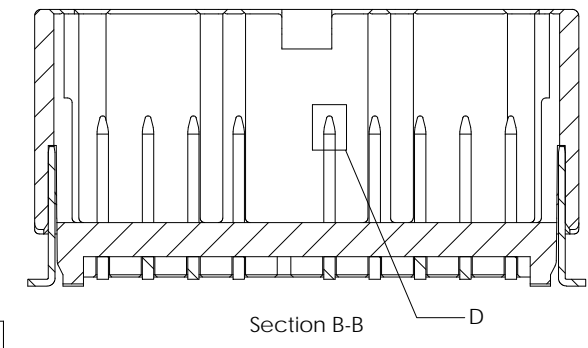
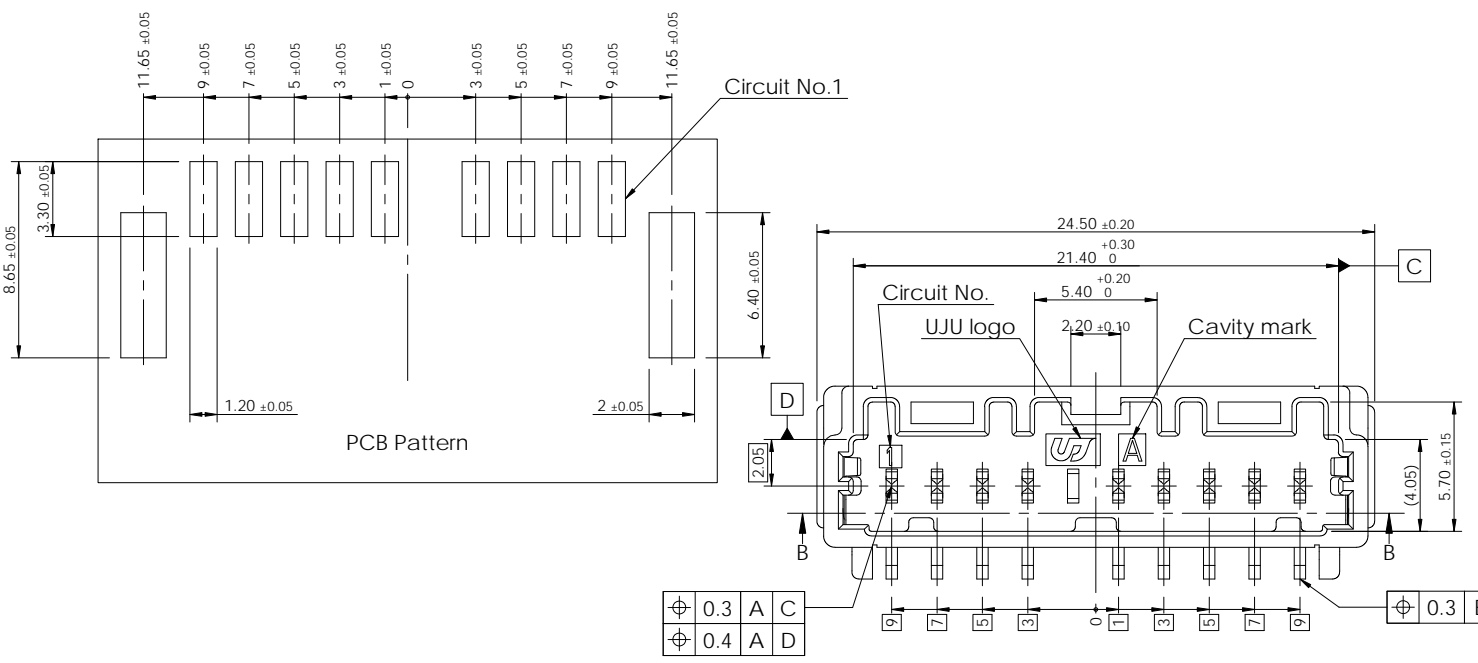
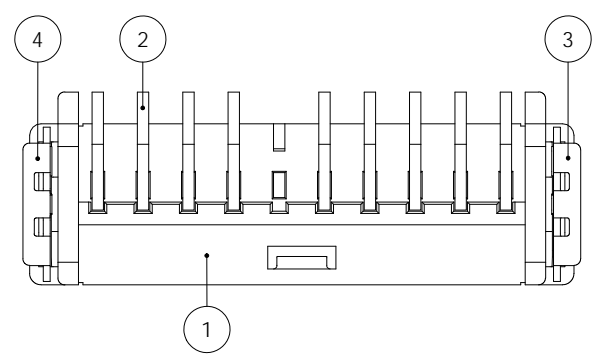
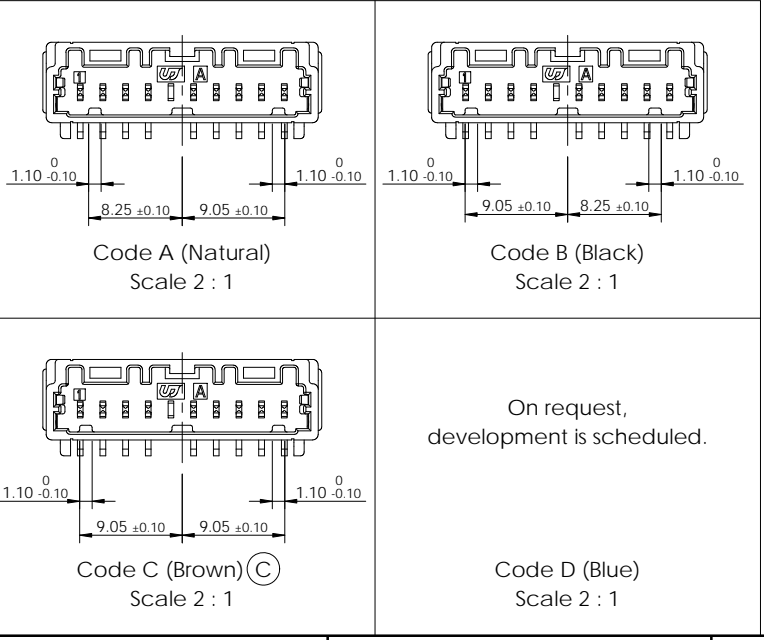


REV	REVISION RECORD	DATE	DRWN	CHKD	APVD
A	RELEASED (RD-2020-100)	08 JUL '20	JK	KH	CY
B	CHANGED (RD-2020-137)	20 OCT '20	JK	KH	CY
C	CHANGED (RD-2022-138)	07 NOV '22	JK	SJ	CY



Code	Part No.	Description
D		020_D_C_SMT_9M_V_ASSY_BL_G
C	KH1910062-42	020_D_C_SMT_9M_V_ASSY_BR_G
B	KH1910062-21	020_D_C_SMT_9M_V_ASSY_BK_G
A	KH1910062-10	020_D_C_SMT_9M_V_ASSY_NR_G



- Note-
- General tolerance : Refer to DIN 16742 TG5 specification.
 - Burr Max.0.3
 - No crack
 - All letters shall be clear and legible.
 - Measuring the dimensions of Tab TML and Solder Peg.
 - Finish Tab TML and Solder Peg
- Sn plating 2.5~4.0µm (matte) over Ni 1.0~2.0µm
 - Packing : Emboss tape
 - Flammability : UL94-HB
 - Vacum grip area free of burr and factor pins, Max.Ø4.0
 - Matching part
- KH1910023 (020_D_C_9F_ASSY_G)

No.	Description	Material	Finish / Color	Q'ty
5	020_D_SMT_Cover_BK	LCP (E471i)	Black	1 1 1 1
4	020 SMT Solder Peg VTC-L	Copper alloy	Post-Sn	1 1 1 1
3	020 SMT Solder Peg VTC-R	Copper alloy	Post-Sn	1 1 1 1
2	020 SMT Tab TML VTC	Copper alloy	Post-Sn	9 9 9 9
1	020_D_SMT_10M_V_HSG_BL	PA9T-GF30	Blue	1 - - -
	020_D_SMT_10M_V_HSG_BR	PA9T-GF30	Brown	- 1 - -
	020_D_SMT_10M_V_HSG_BK	PA9T-GF30	Black	- - 1 -
	020_D_SMT_10M_V_HSG_NR	PA9T-GF30	Natural	- - - 1

DRWN JK. HWANG	 (주)우주일렉트로닉스 UJU Electronics co.,Ltd.	NAME		020_D_C_SMT_9M_V_ASSY_G	
CHKD SJ. LEE		MATERIAL		SEE TABLE	
APVD CY. CHOI	FINISH/COLOR		SEE TABLE		DRAWING NO KH1910062
PRODUCT SPEC	APPLICATION SPEC	WEIGHT	LOC	RESTRICTED TO	
TOLERANCES UNLESS OTHERWISE SPECIFIED		UNIT MM	THIRD ANGLE PROJECTION		SCALE 3:1
0 ±	0.0 ±	0.00 ±	0.000 ±	0.0000 ±	SHEET 1 of 1
ANGLES ±	APPLICABLE		REV C		