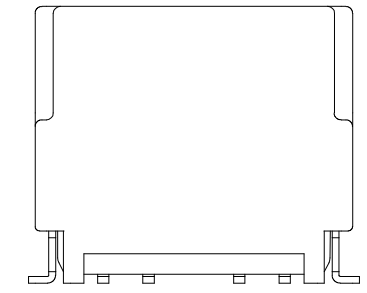
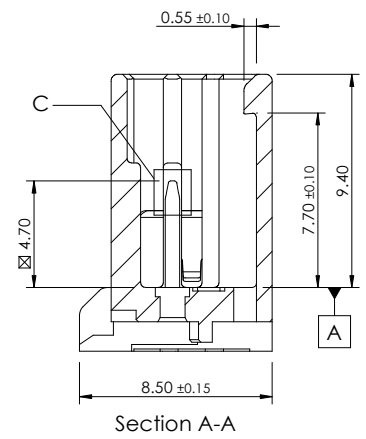
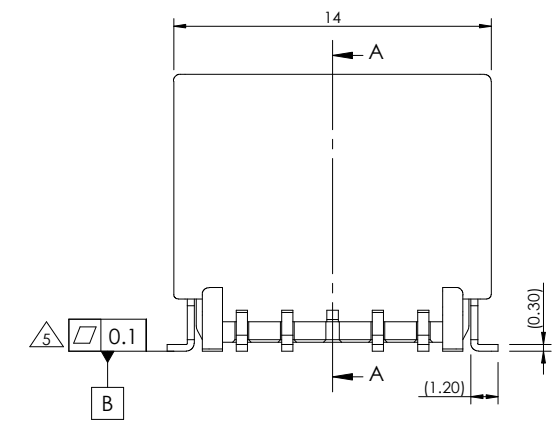
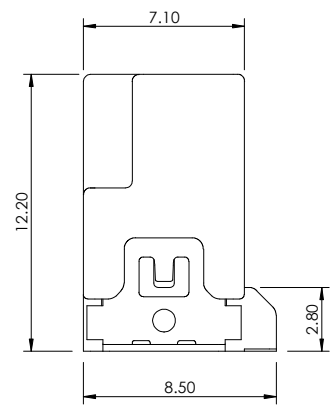
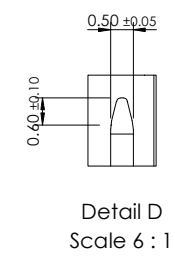
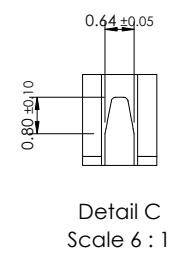
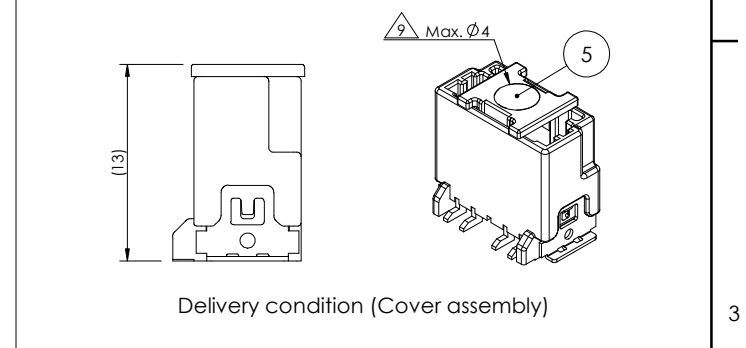
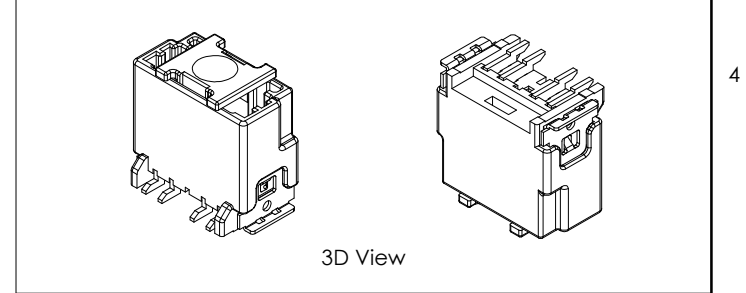
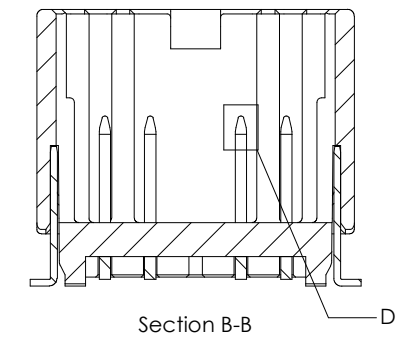
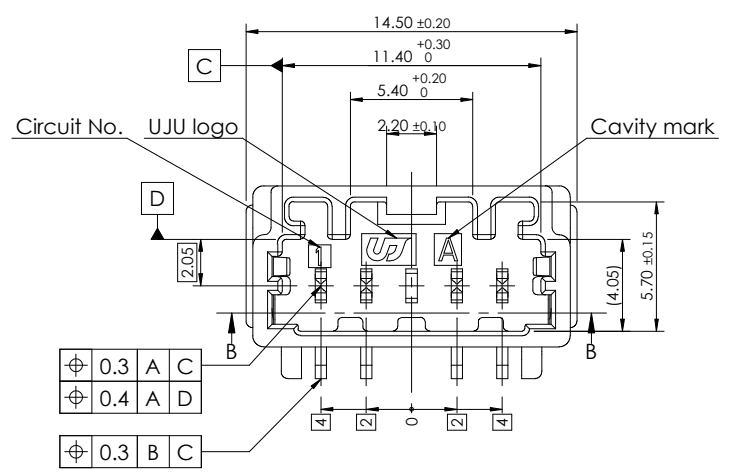
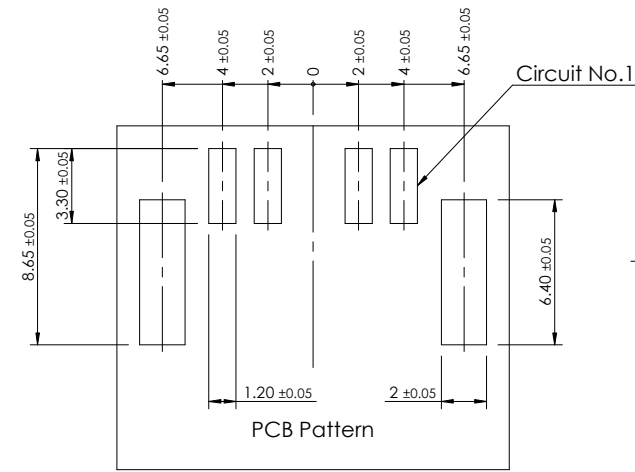
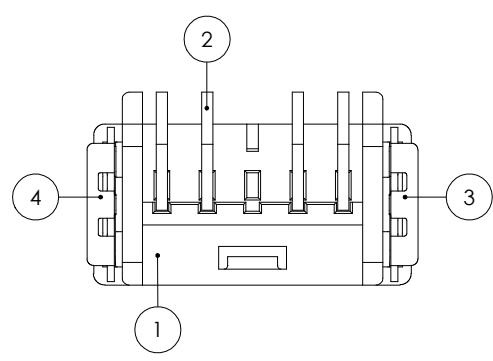
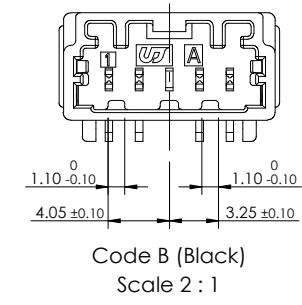
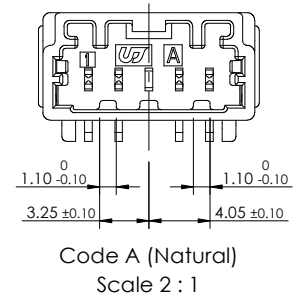


REV	REVISION RECORD	DATE	DRWN	CHKD	APVD
A	RELEASED (RD-2020-100)	08 JUL '20	JK	KH	CY
B	RELEASED (RD-2020-137)	20 OCT '20	JK	KH	CY



Description	Part No.	Code
020_D_C_SMT_4M_V_ASSY_BL_G	-	D
020_D_C_SMT_4M_V_ASSY_BR_G	-	C
020_D_C_SMT_4M_V_ASSY_BK_G	KH1910058-21	B
020_D_C_SMT_4M_V_ASSY_NR_G	KH1910058-10	A



Code A (Natural)
Scale 2 : 1

On request,
development is scheduled.

Code B (Black)
Scale 2 : 1

On request,
development is scheduled.

Code C (Brown)
Scale 2 : 1

On request,
development is scheduled.

-Note-

- General tolerance : Refer to DIN 16742 TG5 specification.
- Burr Max.0.3
- No crack
- All letters shall be clear and legible.
- Measuring the dimensions of Tab TML and Solder Peg.
- Finish Tab TML and Solder Peg
- Sn plating 2.5~4.0µm (matte) over Ni 1.0~2.0µm
- Packing : Emboss tape
- Flammability : UL94-HB
- Vacum grip area free of burr and fector pins, Max.Ø4.0
- Matching part
- KH1910015 (020_D_C_4F_ASSY_G)

No.	Description	Material	Finish / Color	Q'ty
5	020_D_SMT_Cover_BK	LCP (E471i)	Black	1 1 1 1
4	020 SMT Solder Peg VTC-L	Copper alloy	Post-Sn	1 1 1 1
3	020 SMT Solder Peg VTC-R	Copper alloy	Post-Sn	1 1 1 1
2	020 SMT Tab TML VTC	Copper alloy	Post-Sn	4 4 4 4
1	020_D_SMT_5M_V_HSG_BL	PA9T-GF30	Blue	1 - - -
	020_D_SMT_5M_V_HSG_BR	PA9T-GF30	Brown	- 1 - -
	020_D_SMT_5M_V_HSG_BK	PA9T-GF30	Black	- - 1 -
	020_D_SMT_5M_V_HSG_NR	PA9T-GF30	Natural	- - - 1

TOLERANCES UNLESS OTHERWISE SPECIFIED	UNIT
0	MM
0.0	
0.00	
0.000	
0.0000	
ANGLES	
PRODUCT SPEC	APPLICATION SPEC

DRWN JK. HWANG	CHKD KH. PARK	APVD CY. CHOI	NAME	
MATERIAL			SEE TABLE	
FINISH/COLOR			SEE TABLE	
WEIGHT			DRAWING NO	
APVD CY. CHOI			KH1910058	
LOC	RESTRICTED TO	SIZE	SCALE	SHEET
		A3	3:1	1 of 1
				REV B

