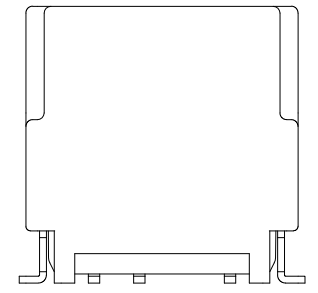
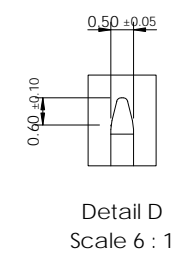
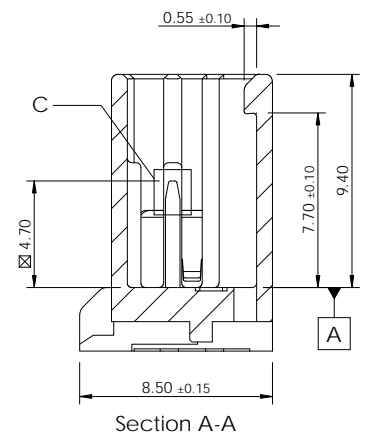
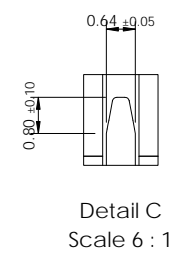
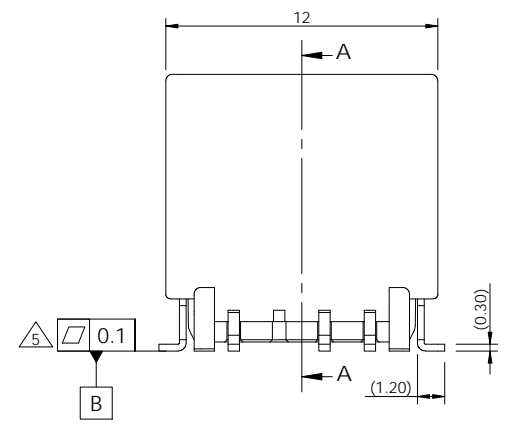
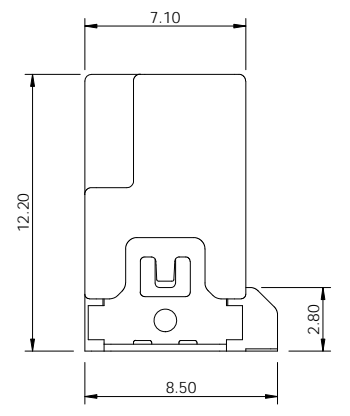
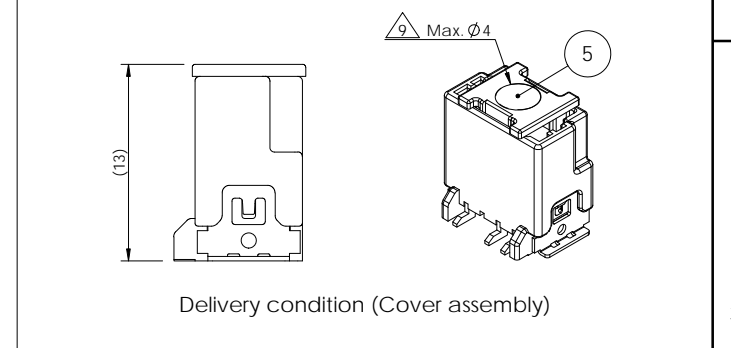
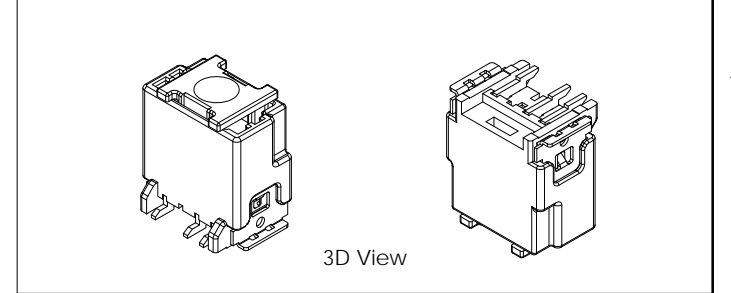
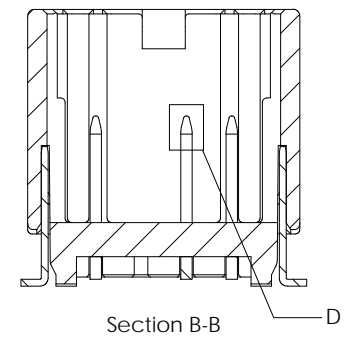
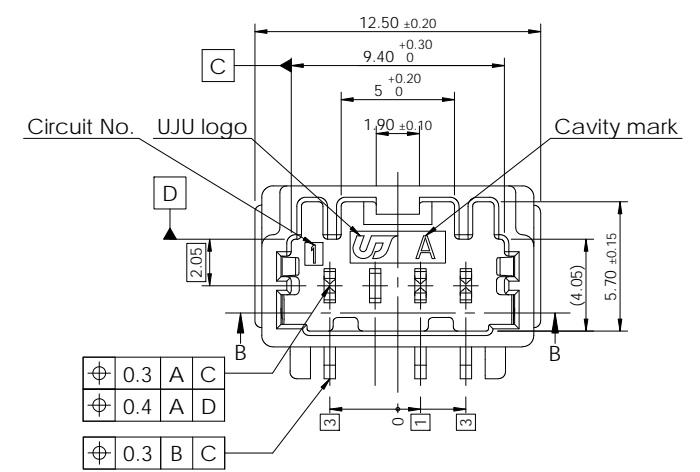
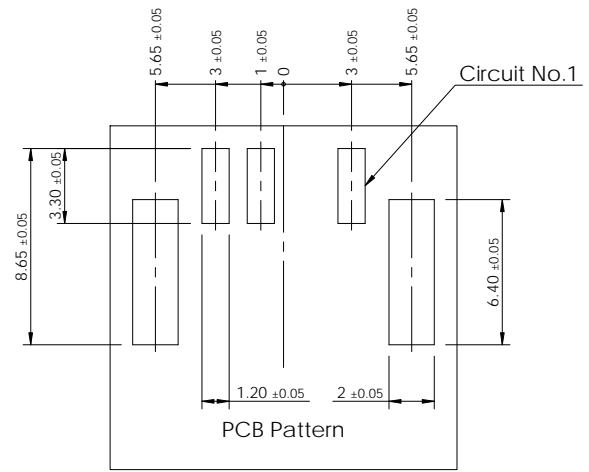
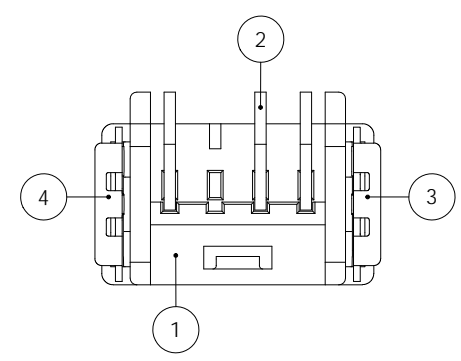
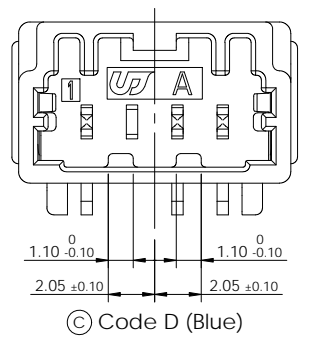
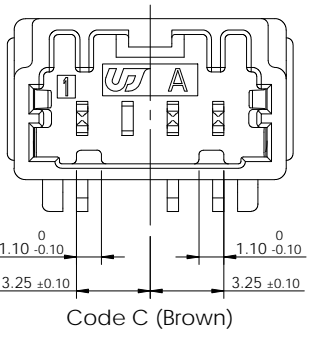
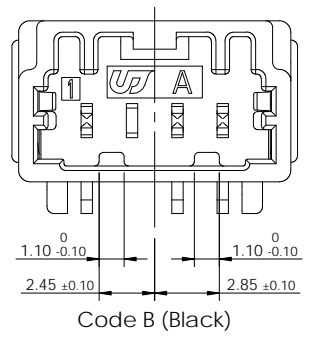
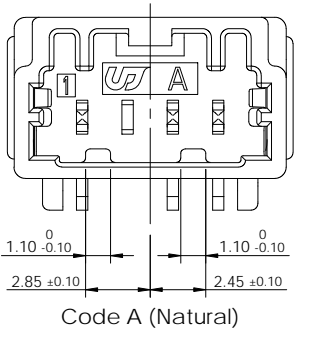


REV	REVISION RECORD	DATE	DRWN	CHKD	APVD
A	RELEASED (RD-2020-100)	08 JUL '20	JK	KH	CY
B	RELEASED (RD-2020-137)	20 OCT '20	JK	KH	CY
C	RELEASED (RD-2022-012)	26 JAN '22	JK	KH	CY



Code	Part No.	Description
D	KH1910057-83	020_D_C_SMT_3M_V_ASSY_BL_G
C	KH1910057-42	020_D_C_SMT_3M_V_ASSY_BR_G
B	KH1910057-21	020_D_C_SMT_3M_V_ASSY_BK_G
A	KH1910057-10	020_D_C_SMT_3M_V_ASSY_NR_G



- Note-
- General tolerance : Refer to DIN 16742 TG5 specification.
 - Burr Max.0.3
 - No crack
 - All letters shall be clear and legible.
 - Measuring the dimensions of Tab TML and Solder Peg.
 - Finish Tab TML and Solder Peg
- Sn plating 2.5~4.0µm (matte) over Ni 1.0~2.0µm
 - Packing : Emboss tape
 - Flammability : UL94-HB
 - Vacum grip area free of burr and fector pins, Max.Ø4.0
 - Matching part
- KH1910012 (020_D_C_3F_ASSY_G)

No.	Description	Material	Finish / Color	Q'ty
5	020_D_SMT_Cover_BK	LCP (E471i)	Black	1 1 1 1
4	020 SMT Solder Peg VTC-L	Copper alloy	Post-Sn	1 1 1 1
3	020 SMT Solder Peg VTC-R	Copper alloy	Post-Sn	1 1 1 1
2	020 SMT Tab TML VTC	Copper alloy	Post-Sn	3 3 3 3
1	020_D_SMT_4M_V_HSG_BL	PA9T-GF30	Blue	1 - - -
	020_D_SMT_4M_V_HSG_BR	PA9T-GF30	Brown	- 1 - -
	020_D_SMT_4M_V_HSG_BK	PA9T-GF30	Black	- - 1 -
	020_D_SMT_4M_V_HSG_NR	PA9T-GF30	Natural	- - - 1

TOLERANCES UNLESS OTHERWISE SPECIFIED		UNIT MM		THIRD ANGLE PROJECTION	
0	±	SEE TABLE		NAME	
0.0	±	SEE TABLE		020_D_C_SMT_3M_V_ASSY_G	
0.00	±	SEE TABLE		CUSTOMER	
0.000	±	SEE TABLE		DRAWING NO	
0.0000	±	SEE TABLE		KH1910057	
ANGLES	±	WEIGHT		LOC RESTRICTED TO	
PRODUCT SPEC	APPLICATION SPEC	SIZE		SCALE	
		A3		3:1	
		SHEET		1 of 1	
		REV		C	