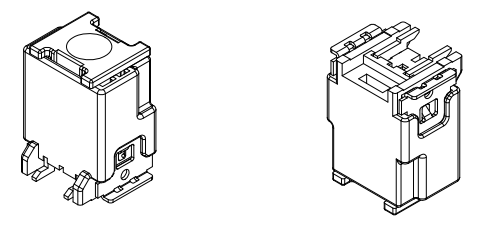
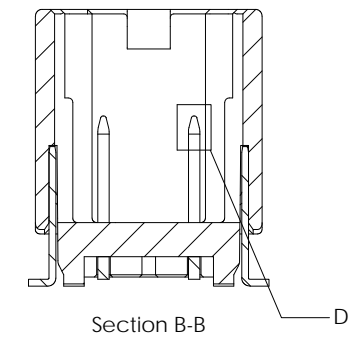
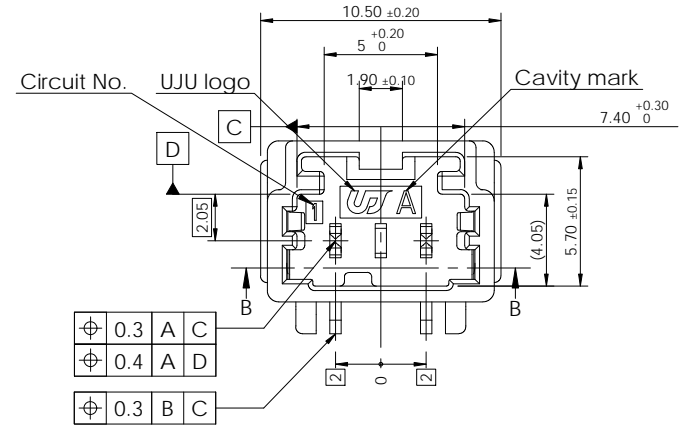
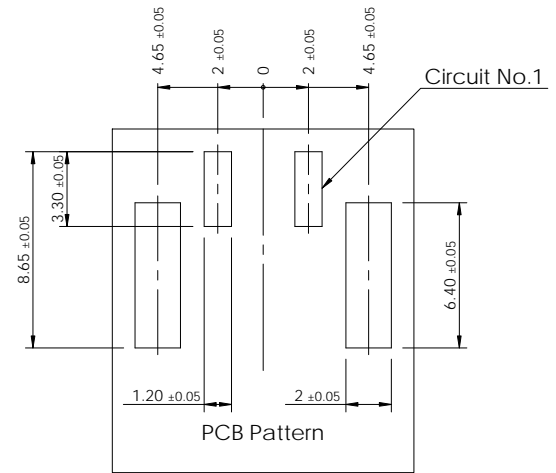
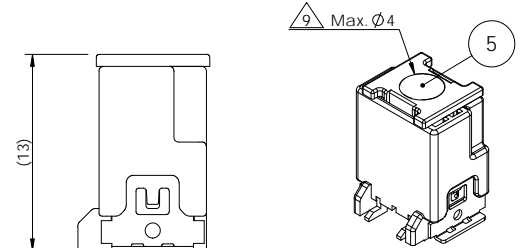


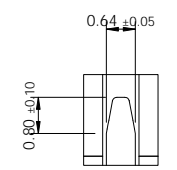
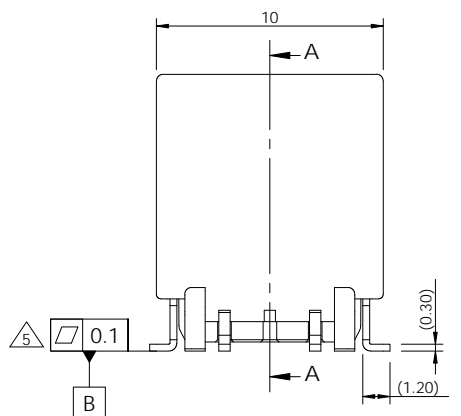
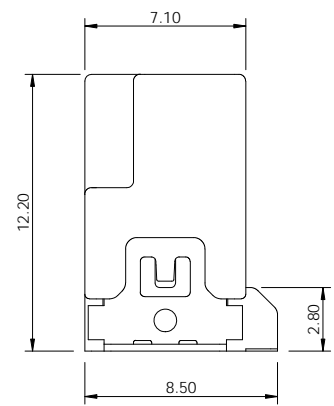
REV	REVISION RECORD	DATE	DRWN	CHKD	APVD
A	RELEASED (RD-2020-100)	08 JUL '20	JK	KH	CY
B	RELEASED (RD-2020-137)	20 OCT '20	JK	KH	CY



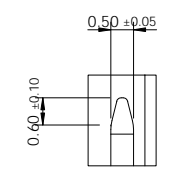
3D View



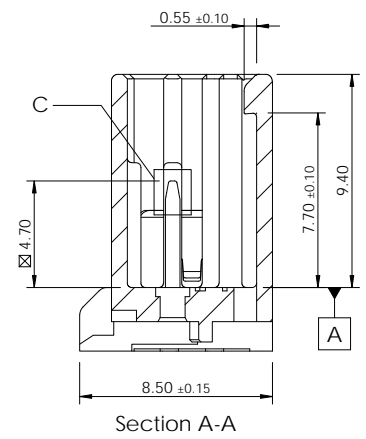
Delivery condition (Cover assembly)



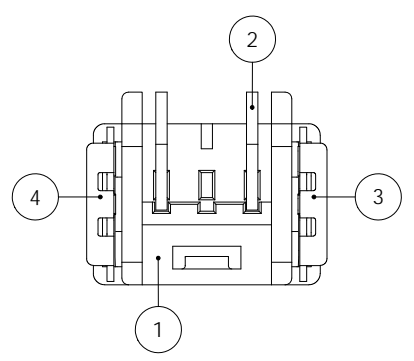
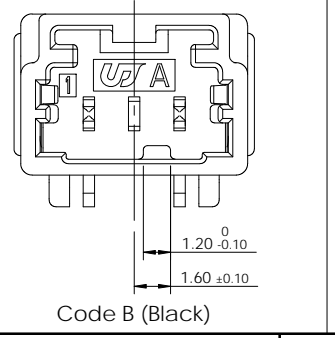
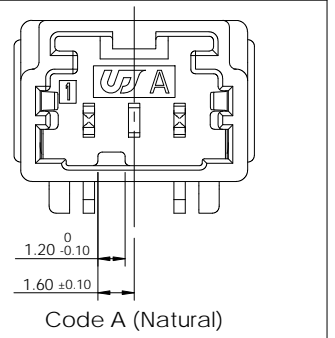
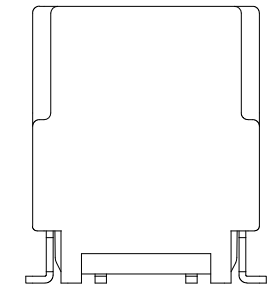
Detail C
Scale 6 : 1



Detail D
Scale 6 : 1



Section A-A



-Note-

1. General tolerance : Refer to DIN 16742 TG5 specification.
2. Burr Max.0.3
3. No crack
4. All letters shall be clear and legible.
5. Measuring the dimensions of Tab TML and Solder Peg.
6. Finish Tab TML and Solder Peg
- Sn plating 2.5~4.0µm (matte) over Ni 1.0~2.0µm
7. Packing : Emboss tape
8. Flammability : UL94-HB
9. Vacum grip area free of burr and fector pins, Max.Ø4.0
10. Matching part
- KH1910009 (020_D_C_2F_ASSY_G)

No.	Description	Material	Finish / Color	Q'ty
5	020_D_SMT_Cover_BK	LCP (E471i)	Black	1 1
4	020 SMT Solder Peg VTC-L	Copper alloy	Post-Sn	1 1
3	020 SMT Solder Peg VTC-R	Copper alloy	Post-Sn	1 1
2	020 SMT Tab TML VTC	Copper alloy	Post-Sn	2 2
1	020_D_SMT_3M_V_HSG_BK	PA9T-GF30	Black	1 -
	020_D_SMT_3M_V_HSG_NR	PA9T-GF30	Natural	- 1

DRWN JK. HWANG	CHKD KH. PARK	APVD CY. CHOI	NAME 020_D_C_SMT_2M_V_ASSY_G		
MATERIAL SEE TABLE			CUSTOMER DRAWING KH1910056		
FINISH/COLOR SEE TABLE			LOC	RESTRICTED TO	SIZE A3
WEIGHT			SCALE 3:1	SHEET 1 of 1	REV B

Description	Part No.	Code
020_D_C_SMT_2M_V_ASSY_BK_G	KH1910056-21	B
020_D_C_SMT_2M_V_ASSY_NR_G	KH1910056-10	A