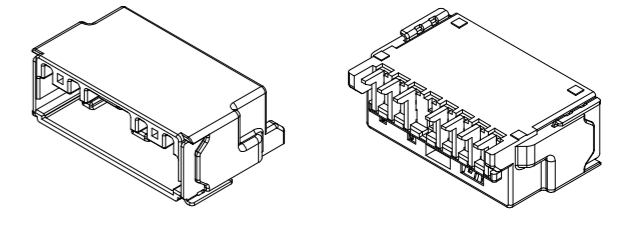
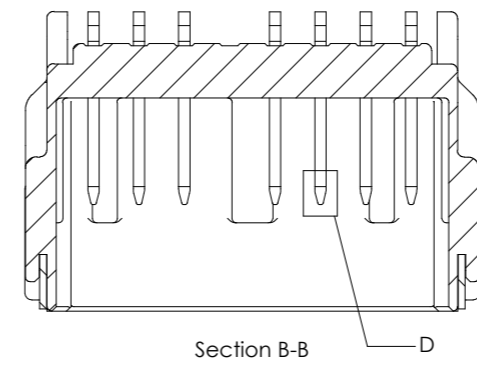
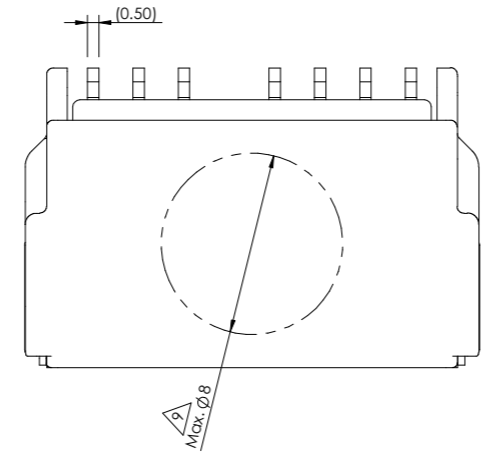
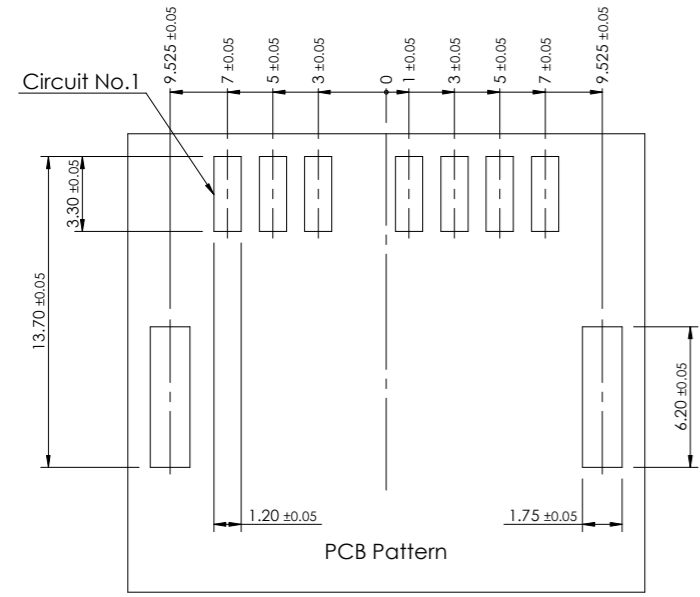
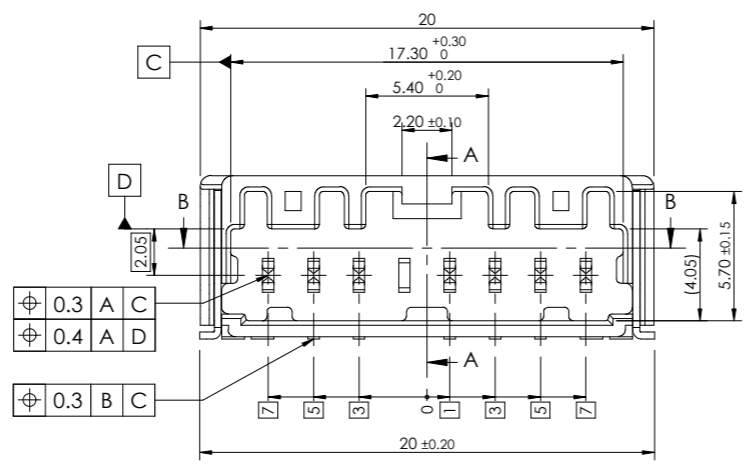
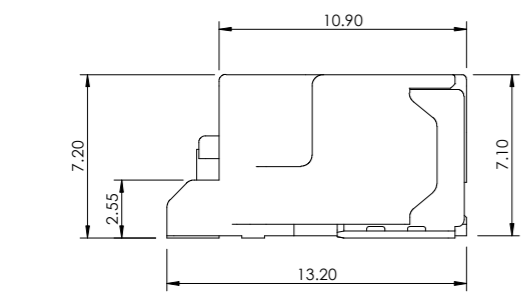


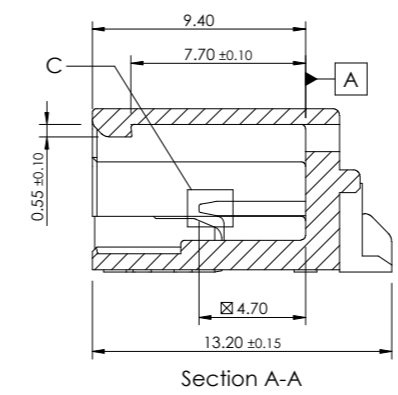
REV	REVISION RECORD	DATE	DRWN	CHKD	APVD
A	RELEASED (RD-2020-100)	08 JUL '20	JK	KH	CY
B	RELEASED (RD-2020-137)	20 OCT '20	JK	KH	CY



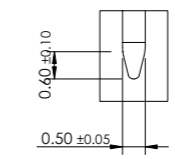
3D View



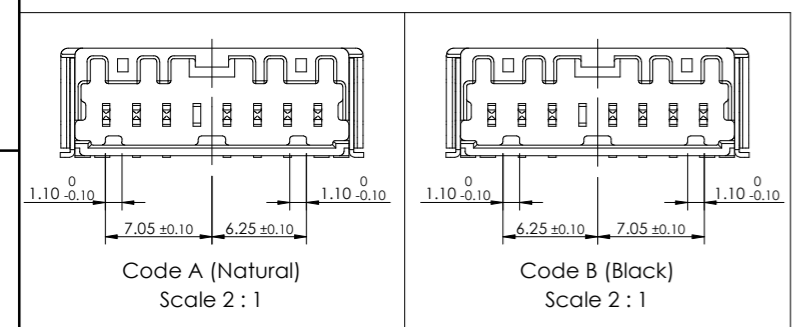
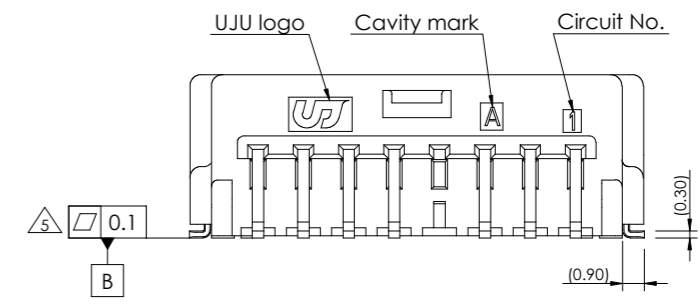
Detail C
Scale 6 : 1



Section A-A

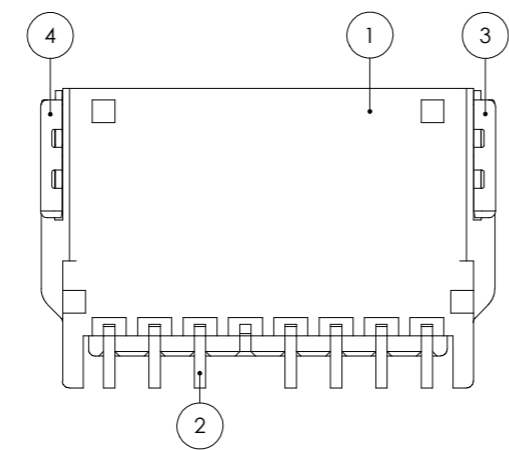


Detail D
Scale 6 : 1



Code A (Natural)
Scale 2 : 1

Code B (Black)
Scale 2 : 1



Code C (Brown)
Scale 2 : 1

Code D (Blue)
Scale 2 : 1

On request, development is scheduled.

On request, development is scheduled.

-Note-

- General tolerance : Refer to DIN 16742 TG5 specification.
- Burr Max.0.3
- No crack
- All letters shall be clear and legible.
- Measuring the dimensions of Tab TML and Solder Peg.
- Finish Tab TML and Solder Peg
 - Sn plating 2.5~4.0µm (matte) over Ni 1.0~2.0µm
- Packing : Emboss tape
- Flammability : UL94-HB
- Vacuum grip area free of burr and factor pins, Max.Ø8.0
- Matching part
 - KH1910021 (020_D_C_7F_ASSY_G)

No.	Description	Material	Finish / Color	Q'ty
4	020 SMT Solder Peg HZT-L	Copper alloy	Post-Sn	1 1 1 1
3	020 SMT Solder Peg HZT-R	Copper alloy	Post-Sn	1 1 1 1
2	020 SMT Tab TML HZT	Copper alloy	Post-Sn	7 7 7 7
1	020_D_SMT_8M_H_HSG_BL	PA9T-GF30	Blue	1 - - -
	020_D_SMT_8M_H_HSG_BR	PA9T-GF30	Brown	- 1 - -
	020_D_SMT_8M_H_HSG_BK	PA9T-GF30	Black	- - 1 -
	020_D_SMT_8M_H_HSG_NR	PA9T-GF30	Natural	- - - 1

No.	Description	Material	Finish / Color	Q'ty
4	020 SMT Solder Peg HZT-L	Copper alloy	Post-Sn	1 1 1 1
3	020 SMT Solder Peg HZT-R	Copper alloy	Post-Sn	1 1 1 1
2	020 SMT Tab TML HZT	Copper alloy	Post-Sn	7 7 7 7

DRWN JK. HWANG	CHKD KH. PARK	APVD CY. CHOI	NAME		
MATERIAL			SEE TABLE		
FINISH/COLOR			SEE TABLE		
WEIGHT			DRAWING NO		
APPLICATION SPEC			KH1910040		
LOC	RESTRICTED TO	SIZE	SCALE	SHEET	REV
		A3	3:1	1 of 1	B

