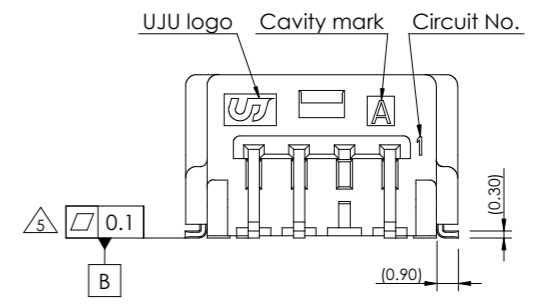
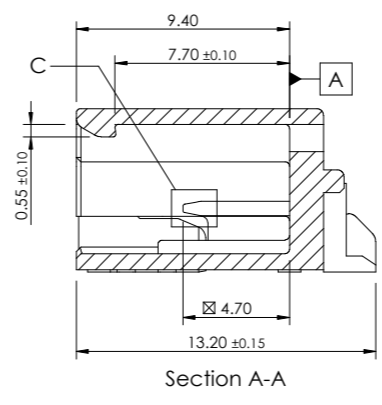
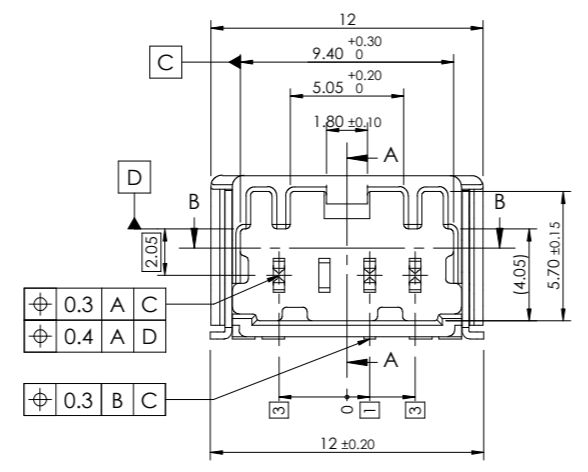
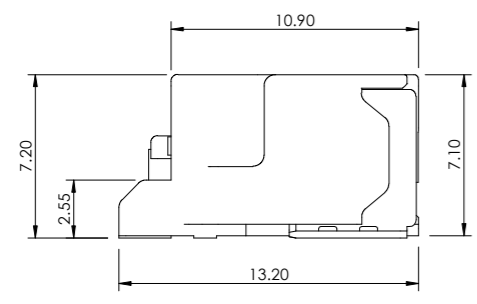
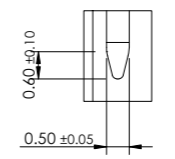
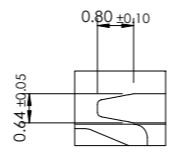
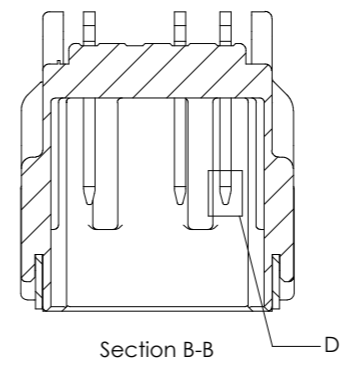
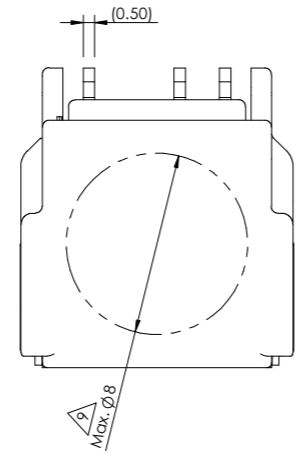
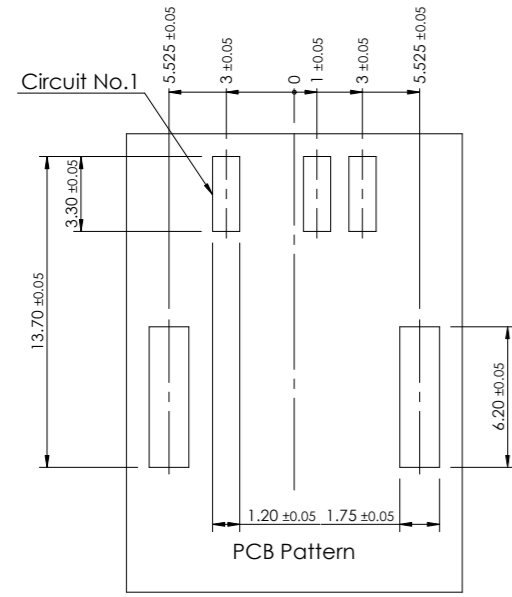
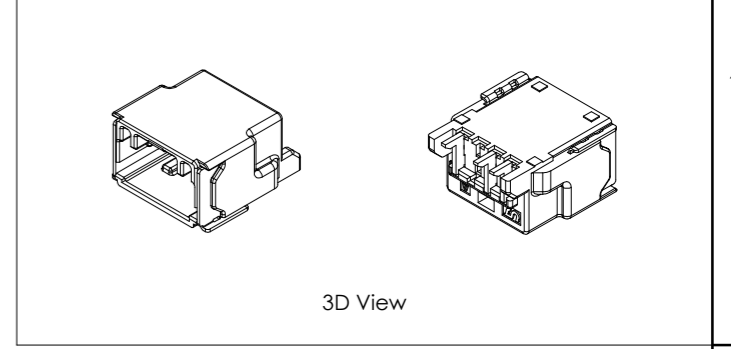
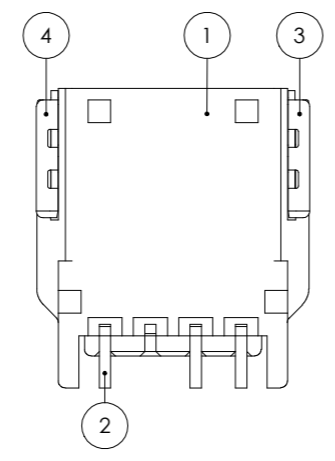
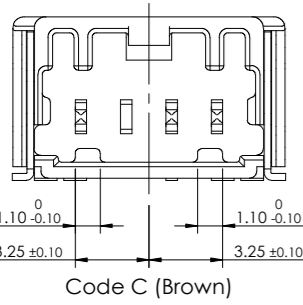
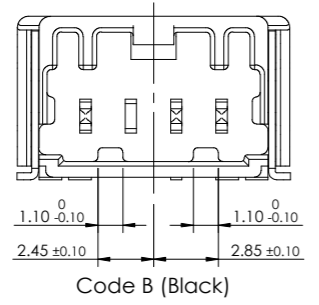
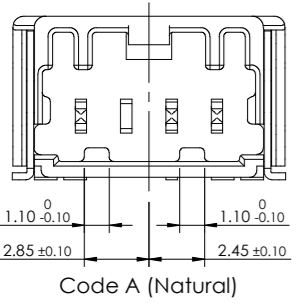


REV	REVISION RECORD	DATE	DRWN	CHKD	APVD
A	RELEASED (RD-2020-100)	08 JUL '20	JK	KH	CY
B	RELEASED (RD-2020-137)	20 OCT '20	JK	KH	CY



Code	Part No.	Description
D	-	020_D_C_SMT_3M_H_ASSY_BL_G
C	KH1910036-42	020_D_C_SMT_3M_H_ASSY_BR_G
B	KH1910036-21	020_D_C_SMT_3M_H_ASSY_BK_G
A	KH1910036-10	020_D_C_SMT_3M_H_ASSY_NR_G



-Note-

- General tolerance : Refer to DIN 16742 TG5 specification.
- Burr Max.0.3
- No crack
- All letters shall be clear and legible.
- Measuring the dimensions of Tab TML and Solder Peg.
- Finish Tab TML and Solder Peg
- Sn plating 2.5~4.0µm (matte) over Ni 1.0~2.0µm
- Packing : Emboss tape
- Flammability : UL94-HB
- Vacuum grip area free of burr and factor pins, Max.Ø8.0
- Matching part
- KH1910012 (020_D_C_3F_ASSY_G)

No.	Description	Material	Finish / Color	Q'ty
4	020 SMT Solder Peg HZT-L	Copper alloy	Post-Sn	1 1 1 1
3	020 SMT Solder Peg HZT-R	Copper alloy	Post-Sn	1 1 1 1
2	020 SMT Tab TML HZT	Copper alloy	Post-Sn	3 3 3 3
1	020_D_SMT_4M_H_HSG_BL	PA9T-GF30	Blue	1 - - -
	020_D_SMT_4M_H_HSG_BR	PA9T-GF30	Brown	- 1 - -
	020_D_SMT_4M_H_HSG_BK	PA9T-GF30	Black	- - 1 -
	020_D_SMT_4M_H_HSG_NR	PA9T-GF30	Natural	- - - 1

DRWN JK. HWANG	CHKD KH. PARK	APVD CY. CHOI	NAME 020_D_C_SMT_3M_H_ASSY_G			
TOLERANCES UNLESS OTHERWISE SPECIFIED			UNIT MM	THIRD ANGLE PROJECTION		
0 ±				MATERIAL SEE TABLE		
0.0 ±				FINISH/COLOR SEE TABLE		
0.00 ±				CUSTOMER DRAWING		
0.000 ±				DRAWING NO. KH1910036		
0.0000 ±				LOC RESTRICTED TO		
ANGLES ±			PRODUCT SPEC	APPLICATION SPEC	WEIGHT	REV
CUSTOMER DRAWING			SIZE A3	SCALE 3:1	SHEET 1 of 1	REV B

