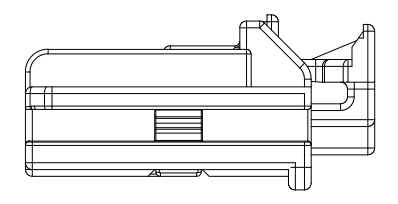
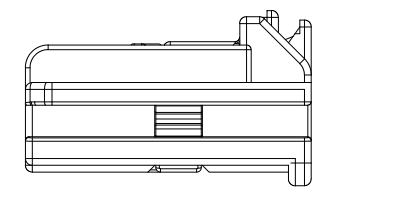


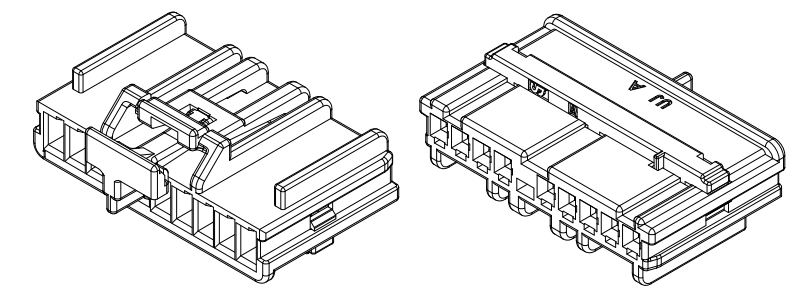
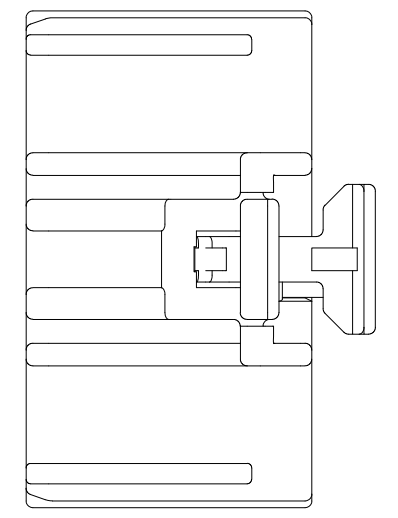
REV	REVISION RECORD	DATE	DRWN	CHKD	APVD
A	RELEASED (RD-2020-148)	02 NOV '20	JK	KH	CY
B	CHANGED (RD-2020-156)	18 NOV '20	JK	KH	CY
C	CHANGED (RD-2022-138)	07 NOV '22	JK	SJ	CY



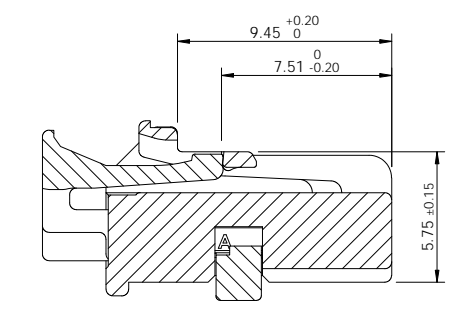
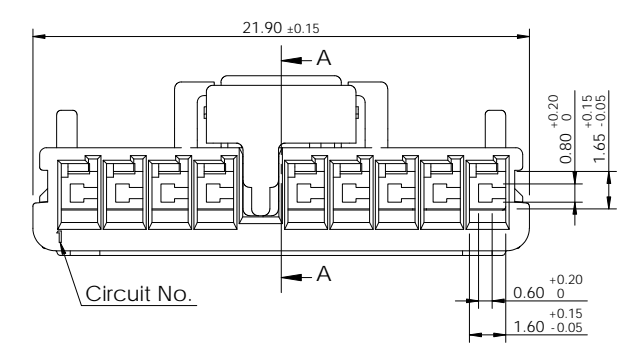
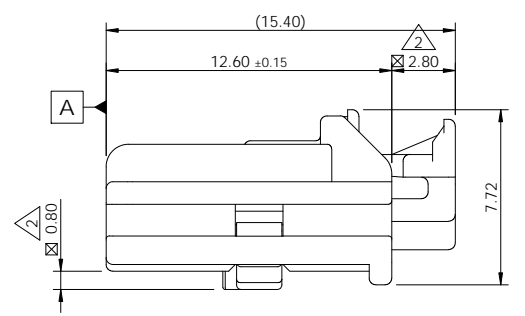
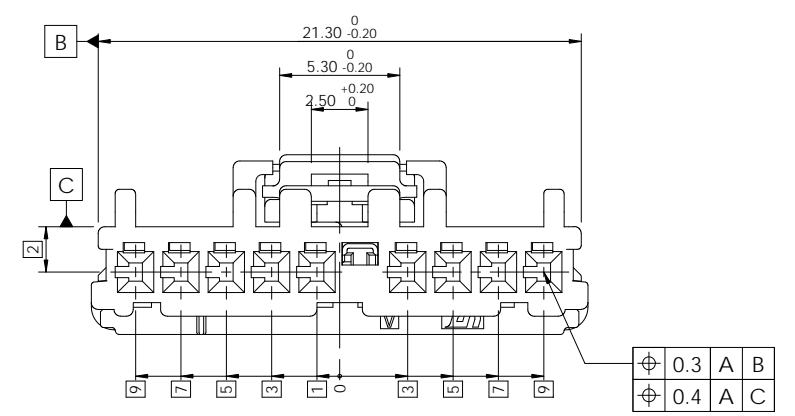
TPA 2nd. lock position



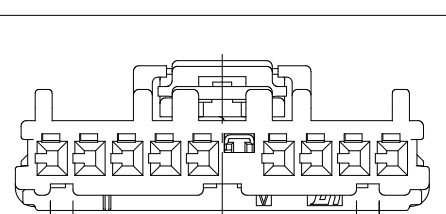
CPA 2nd. lock position



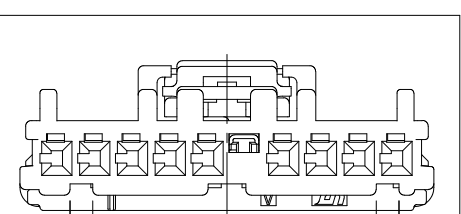
3D View



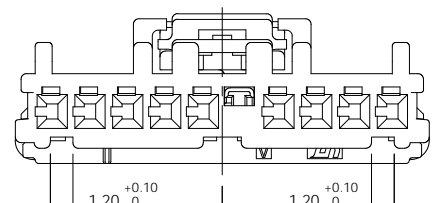
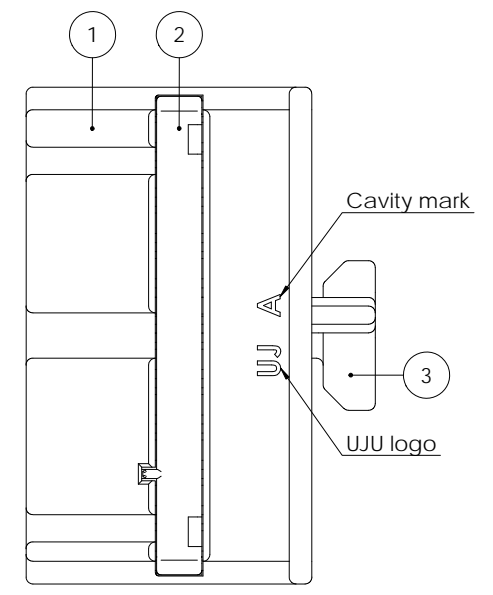
Section A-A



Code A (Natural)



Code B (Black)



Code C (Brown) (C)

On request, development is scheduled.

Code D (Blue)

-Note-

- General tolerance : Refer to DIN 16742 TG6 specification.
- Delivery condition : TPA/CPA 1st. lock position
- Burr Max.0.3
- No crack
- All letters shall be clear and legible.
- Packing : Tray
- Flammability : UL94-V0
- Applicable receptacle : KH1710007 (020\_D\_F\_TML\_G)  
- Material : Copper alloy  
- Wire size : 0.3mm<sup>2</sup> ~ 0.5mm<sup>2</sup>
- Matching part  
- KH1910041 (020\_D\_C\_SMT\_9M\_H\_ASSY\_G)  
- KH1910062 (020\_D\_C\_SMT\_9M\_V\_ASSY\_G)
- Avoid matching part  
- KH1810103 (020\_D\_SMT\_10M\_H\_ASSY\_G)  
- KH1810028 (020\_D\_SMT\_10M\_V\_ASSY\_G)

Code	Part No.	Description
D		020_D_C_9F_ASSY_BL_G
C		020_D_C_9F_ASSY_BR_G
B		020_D_C_9F_ASSY_BK_G
A		020_D_C_9F_ASSY_NR_G

No.	Description	Material	Finish / Color	Q'ty
3	020_D_C_3F_CPA_RE	PBT-GF30	Red	1 1 1 1
2	020_D_C_9F_TPA_GR	PBT-GF30	Gray	1 1 1 1
1	020_D_C_9F_HSG_BL	PBT-GF30	Blue	1 - - -
	020_D_C_9F_HSG_BR	PBT-GF30	Brown	- 1 - -
	020_D_C_9F_HSG_BK	PBT-GF30	Black	- - 1 -
	020_D_C_9F_HSG_NR	PBT-GF30	Natural	- - - 1

DRWN JK. HWANG	<p>(주)우주 일렉트로닉스 UJU Electronics co.,Ltd.</p>	NAME	
CHKD SJ. LEE		020_D_C_9F_ASSY_G	
APVD CY. CHOI	MATERIAL	SEE TABLE	CUSTOMER DRAWING
	FINISH/COLOR	SEE TABLE	
	WEIGHT		LOC RESTRICTED TO
			SIZE A3
			SCALE 3:1
			SHEET 1 of 1
			REV C

TOLERANCES UNLESS OTHERWISE SPECIFIED	UNIT MM	THIRD ANGLE PROJECTION
0 ±		
0.0 ±		
0.00 ±		
0.000 ±		
0.0000 ±		
ANGLES ±		
PRODUCT SPEC	APPLICATION SPEC	