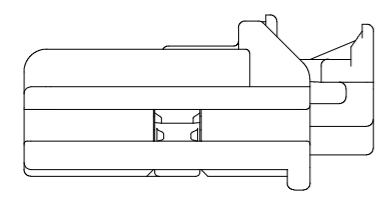
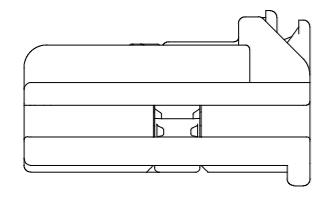


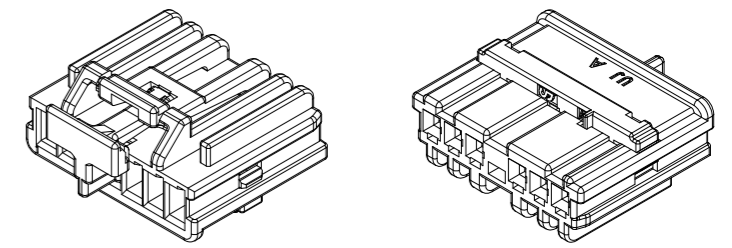
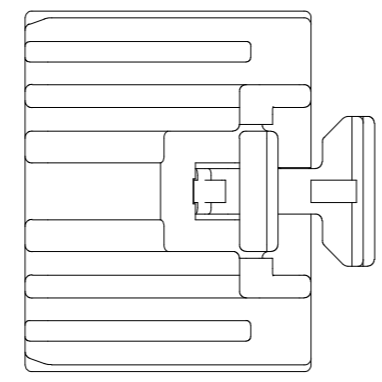
REV	REVISION RECORD	DATE	DRWN	CHKD	APVD
A	RELEASED (RD-2020-118)	08 SEP '20	JK	KH	CY
B	CHANGED (RD-2020-156)	18 NOV '20	JK	KH	CY
C	CHANGED (RD-2022-012)	26 JAN '22	JK	KH	CY



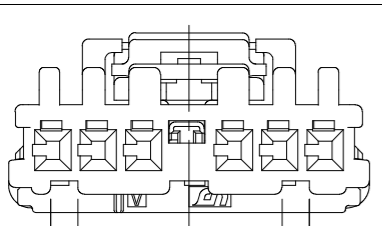
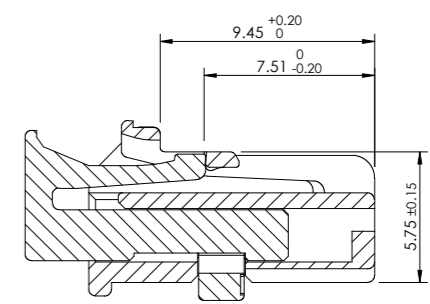
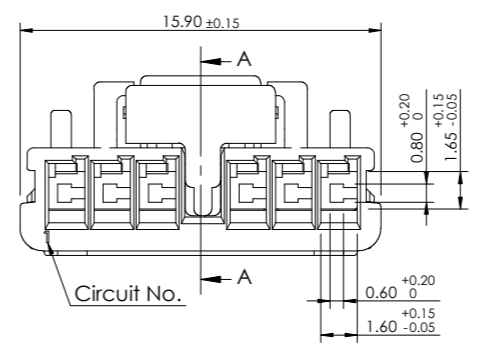
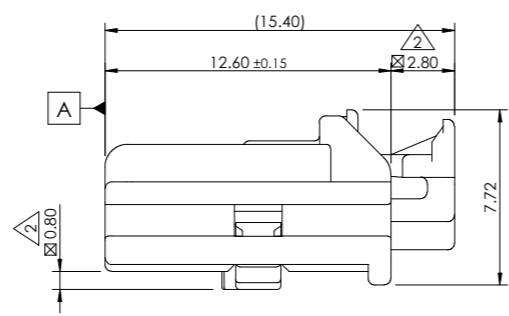
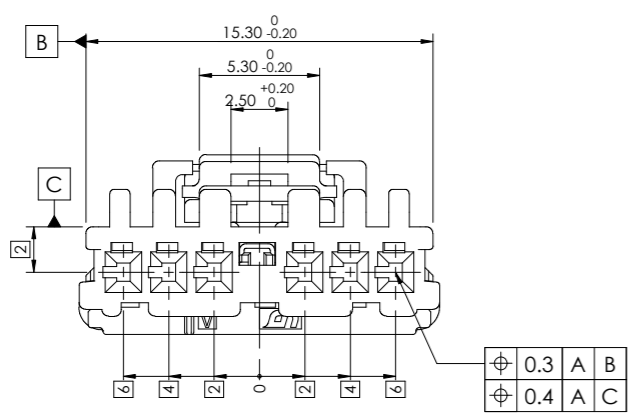
TPA 2nd. lock position



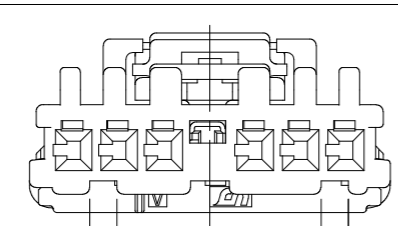
CPA 2nd. lock position



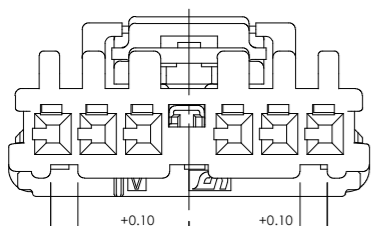
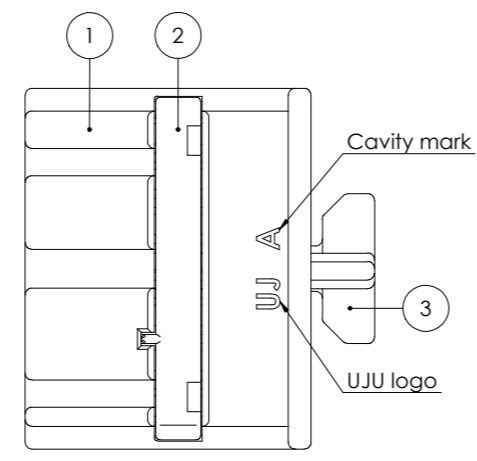
3D View



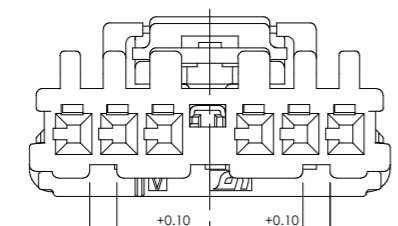
Code A (Natural)



Code B (Black)



Code C (Brown)



Code D (Blue)

-Note-

- General tolerance : Refer to DIN 16742 TG6 specification.
- Delivery condition : TPA/CPA 1st. lock position
- Burr Max.0.3
- No crack
- All letters shall be clear and legible.
- Packing : Tray
- Flammability : UL94-V0
- Applicable receptacle : KH1710007 (020\_D\_F\_TML\_G)  
- Material : Copper alloy  
- Wire size : 0.3mm ~ 0.5mm
- Matching part  
- KH1910039 (020\_D\_C\_SMT\_6M\_H\_ASSY\_G)  
- KH1910060 (020\_D\_C\_SMT\_6M\_V\_ASSY\_G)
- Avoid matching part  
- KH1810099 (020\_D\_SMT\_7M\_H\_ASSY\_G)  
- KH1810089 (020\_D\_SMT\_7M\_V\_ASSY\_G)

No.	Description	Material	Finish / Color	Q'ty	Part No.	Code
3	020_D_C_2F_CPA_RE	PBT-GF30	Red	1	1	1
2	020_D_C_6F_TPA_GR	PBT-GF30	Gray	1	1	1
1	020_D_C_6F_HSG_BL	PBT-GF30	Blue	1	-	-
	020_D_C_6F_HSG_BR	PBT-GF30	Brown	-	1	-
	020_D_C_6F_HSG_BK	PBT-GF30	Black	-	-	1
	020_D_C_6F_HSG_NR	PBT-GF30	Natural	-	-	1
	020_D_C_6F_ASSY_BL_G					KH1910019-83
	020_D_C_6F_ASSY_BR_G					KH1910019-42
	020_D_C_6F_ASSY_BK_G					KH1910019-21
	020_D_C_6F_ASSY_NR_G					KH1910019-10

No.	Description	Material	Finish / Color	Q'ty
3	020_D_C_2F_CPA_RE	PBT-GF30	Red	1
2	020_D_C_6F_TPA_GR	PBT-GF30	Gray	1
1	020_D_C_6F_HSG_BL	PBT-GF30	Blue	1
	020_D_C_6F_HSG_BR	PBT-GF30	Brown	-
	020_D_C_6F_HSG_BK	PBT-GF30	Black	-
	020_D_C_6F_HSG_NR	PBT-GF30	Natural	-

DRWN JK. HWANG	<p>(주)우주 일렉트로닉스 UJU Electronics co.,Ltd.</p>	NAME	020_D_C_6F_ASSY_G		
CHKD KH. PARK		MATERIAL	SEE TABLE		
APVD CY. CHOI		FINISH/COLOR	SEE TABLE		
		WEIGHT	CUSTOMER DRAWING	KH1910019	
TOLERANCES UNLESS OTHERWISE SPECIFIED		UNIT	DRAWING NO		REV
0 ±		MM	KH1910019		C
0.0 ±		THIRD ANGLE PROJECTION	LOC	RESTRICTED TO	SIZE
0.00 ±			A3		A3
0.000 ±		PRODUCT SPEC	SCALE	SHEET	
0.0000 ±		APPLICATION SPEC	3:1	1 of 1	
ANGLES ±					