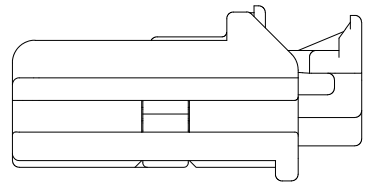
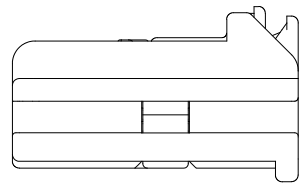


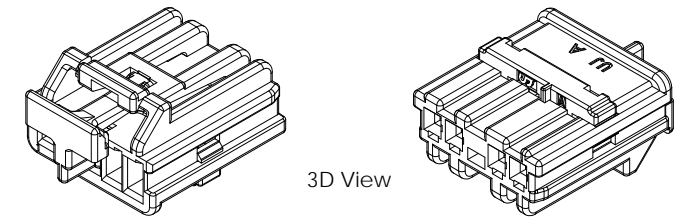
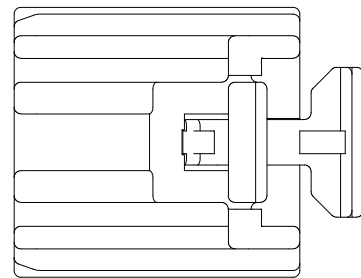
REV	REVISION RECORD	DATE	DRWN	CHKD	APVD
A	RELEASED (RD-2020-162)	07 DEC '20	JK	KH	CY



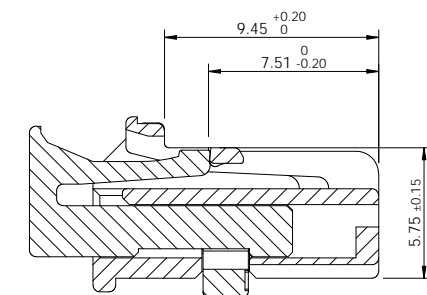
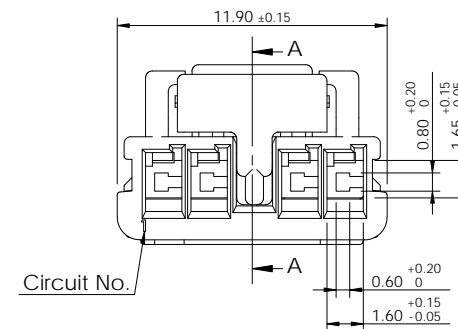
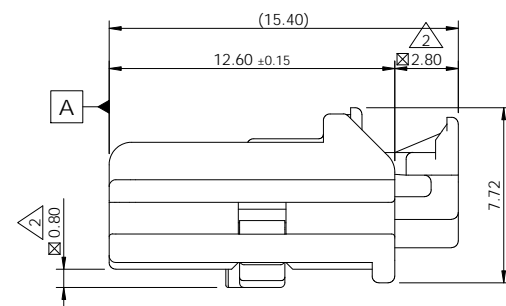
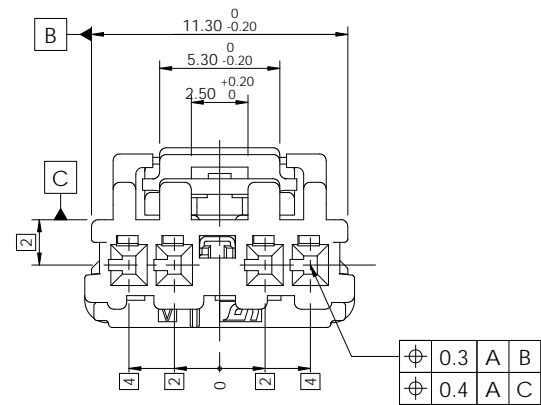
TPA 2nd. lock position



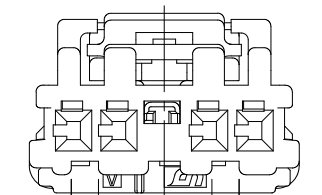
CPA 2nd. lock position



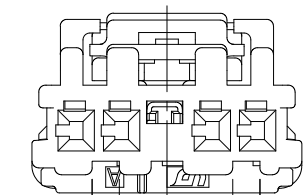
3D View



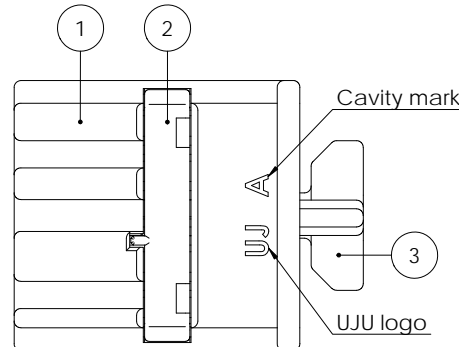
Section A-A



Code A (Natural)



Code B (Black)



On request, development is scheduled.

Code C (Brown)

On request, development is scheduled.

Code D (Blue)

-Note-

- General tolerance : Refer to DIN 16742 TG6 specification.
- Delivery condition : TPA/CPA 1st. lock position
- Burr Max.0.3
- No crack
- All letters shall be clear and legible.
- Packing : Tray
- Flammability : UL94-V0
- Applicable receptacle : KH1710007 (020_D_F_TML_G)
 - Material : Copper alloy
 - Wire size : 0.3mm² ~ 0.5mm²
- Matching part
 - KH1910037 (020_D_C_SMT_4M_H_ASSY_G)
 - KH1910058 (020_D_C_SMT_4M_V_ASSY_G)
- Avoid matching part
 - KH1810097 (020_D_SMT_5M_H_ASSY_G)
 - KH1810085 (020_D_SMT_5M_V_ASSY_G)

Code	Part No.	Description
D	-	020_D_C_4F_ASSY_BL_G
C	-	020_D_C_4F_ASSY_BR_G
B	KH1910015-21	020_D_C_4F_ASSY_BK_G
A	KH1910015-10	020_D_C_4F_ASSY_NR_G

No.	Description	Material	Finish / Color	Q'ty
3	020_D_C_2F_CPA_RE	PBT-GF30	Red	1 1 1 1
2	020_D_C_4F_TPA_GR	PBT-GF30	Gray	1 1 1 1
1	020_D_C_4F_HSG_BL	PBT-GF30	Blue	1 - - -
	020_D_C_4F_HSG_BR	PBT-GF30	Brown	- 1 - -
	020_D_C_4F_HSG_BK	PBT-GF30	Black	- - 1 -
	020_D_C_4F_HSG_NR	PBT-GF30	Natural	- - - 1

DRWN JK. HWANG	(주)우주 일렉트로닉스 UJU Electronics co.,Ltd.	NAME		020_D_C_4F_ASSY_G	
CHKD KH. PARK		MATERIAL		SEE TABLE	
APVD CY. CHOI		FINISH/COLOR		SEE TABLE	
WEIGHT		CUSTOMER DRAWING		KH1910015	
TOLERANCES UNLESS OTHERWISE SPECIFIED		UNIT MM		DRAWING NO	
THIRD ANGLE PROJECTION		SCALE		3:1	
PRODUCT SPEC		APPLICATION SPEC		SHEET	
LOC		RESTRICTED TO		1 of 1	
SIZE		SCALE		REV	
A3		3:1		A	