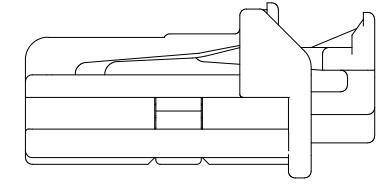
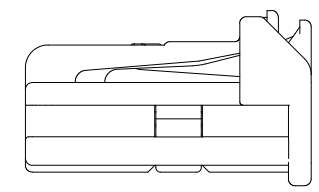


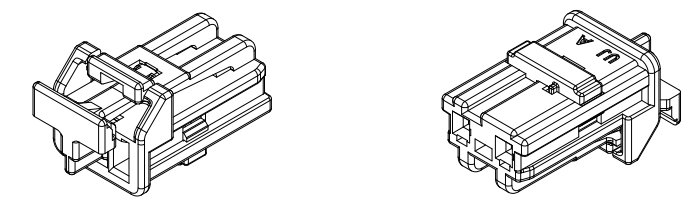
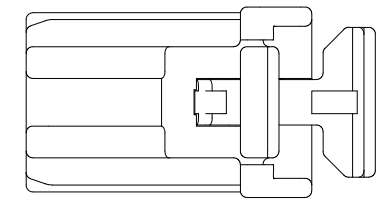
REV	REVISION RECORD	DATE	DRWN	CHKD	APVD
A	RELEASED (RD-2020-160)	03 DEC '20	JK	KH	CY



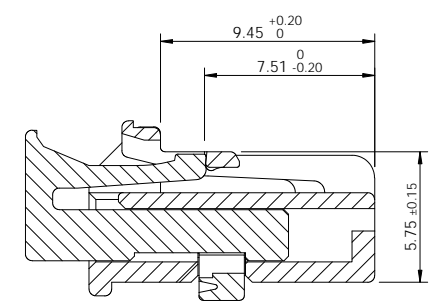
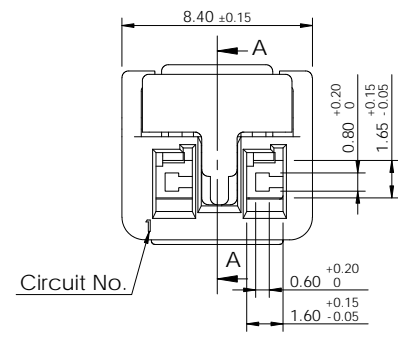
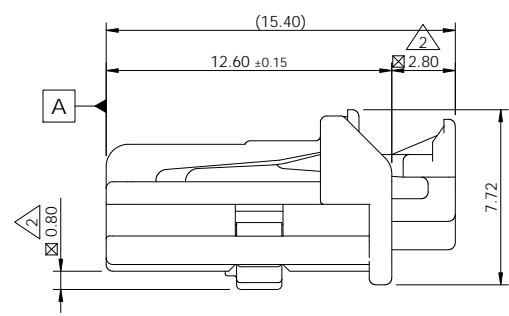
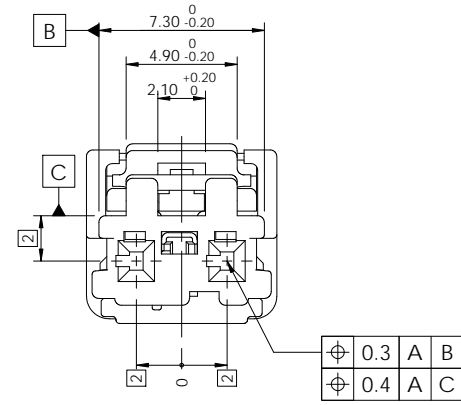
TPA 2nd. lock position



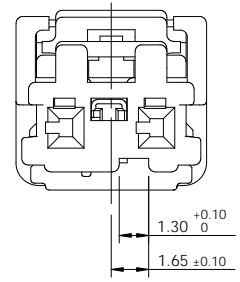
CPA 2nd. lock position



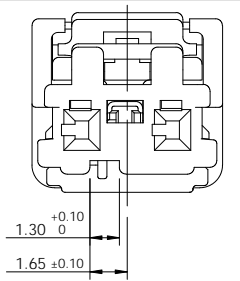
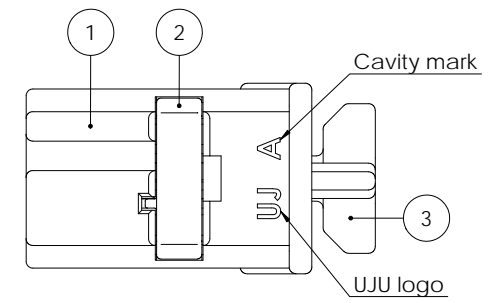
3D View



Section A-A



Code A (Natural)



Code B (Black)

-Note-

- General tolerance : Refer to DIN 16742 TG6 specification.
- Delivery condition : TPA/CPA 1st. lock position
- Burr Max.0.3
- No crack
- All letters shall be clear and legible.
- Packing : Tray
- Flammability : UL94-V0
- Applicable receptacle : KH1710007 (020_D_F_TML_G)
 - Material : Copper alloy
 - Wire size : 0.3mm² ~ 0.5mm²
- Matching part
 - KH1910035 (020_D_C_SMT_2M_H_ASSY_G)
 - KH1910056 (020_D_C_SMT_2M_V_ASSY_G)
- Avoid matching part
 - KH1710112 (020_D_SMT_3M_H_ASSY_G)
 - KH1810081 (020_D_SMT_3M_V_ASSY_G)

Code	Part No.	Description
B	KH1910009-21	020_D_C_2F_ASSY_BK_G
A	KH1910009-10	020_D_C_2F_ASSY_NR_G

No.	Description	Material	Finish / Color	1	2
3	020_D_C_2F_CPA_RE	PBT-GF30	Red	1	1
2	020_D_C_2F_TPA_GR	PBT-GF30	Gray	1	1
1	020_D_C_2F_HSG_BK	PBT-GF30	Black	1	-
	020_D_C_2F_HSG_NR	PBT-GF30	Natural	-	1

DRWN JK. HWANG	CHKD KH. PARK	APVD CY. CHOI	NAME		
MATERIAL SEE TABLE			020_D_C_2F_ASSY_G		
FINISH/COLOR SEE TABLE			CUSTOMER DRAWING		
WEIGHT			DRAWING NO. KH1910009		
LOC	RESTRICTED TO	SIZE A3	SCALE 3:1	SHEET 1 of 1	REV A

TOLERANCES UNLESS OTHERWISE SPECIFIED	UNIT MM	THIRD ANGLE PROJECTION
0 ±		
0.0 ±		
0.00 ±		
0.000 ±		
0.0000 ±		
ANGLES ±		
PRODUCT SPEC	APPLICATION SPEC	