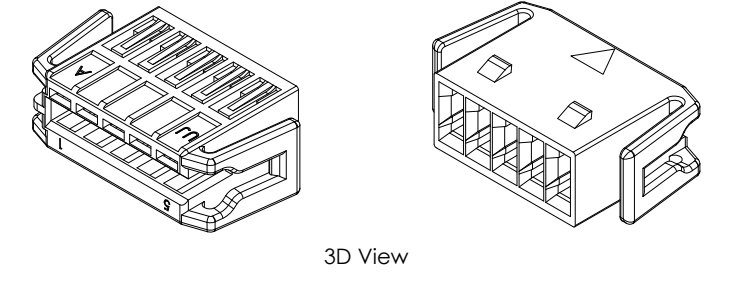
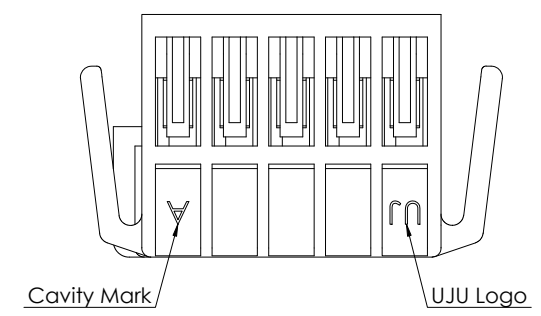
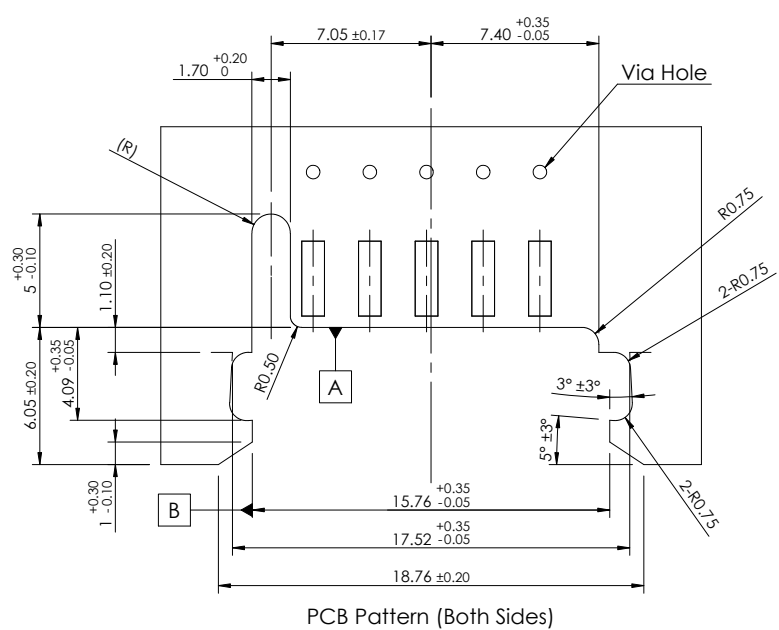
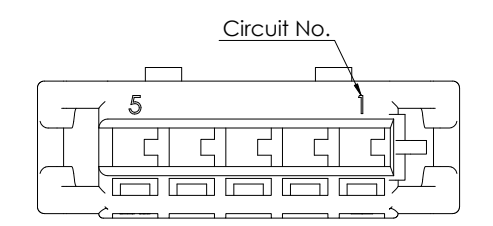
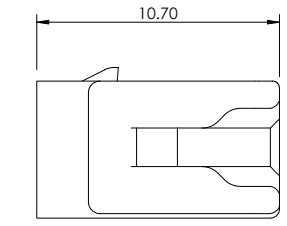
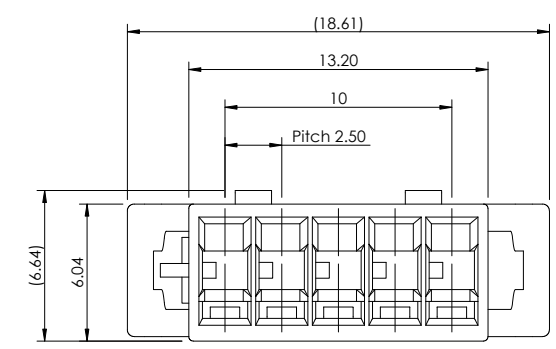
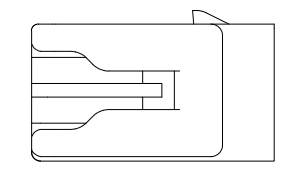
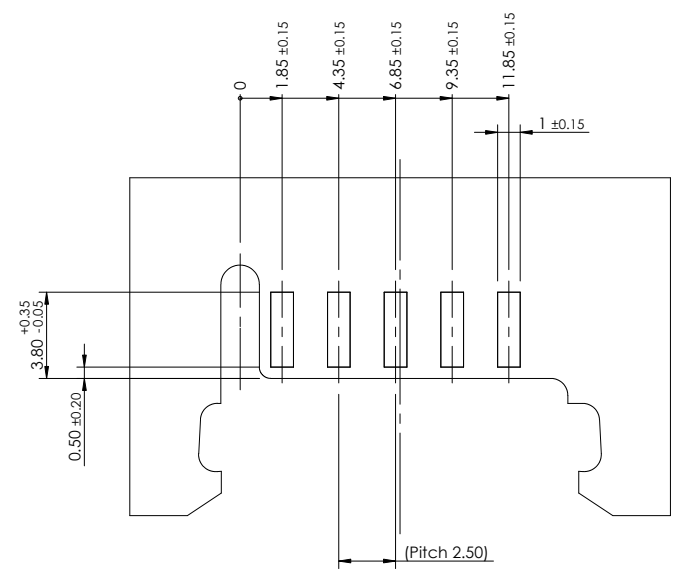
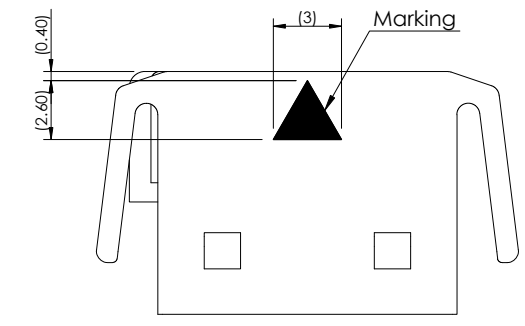
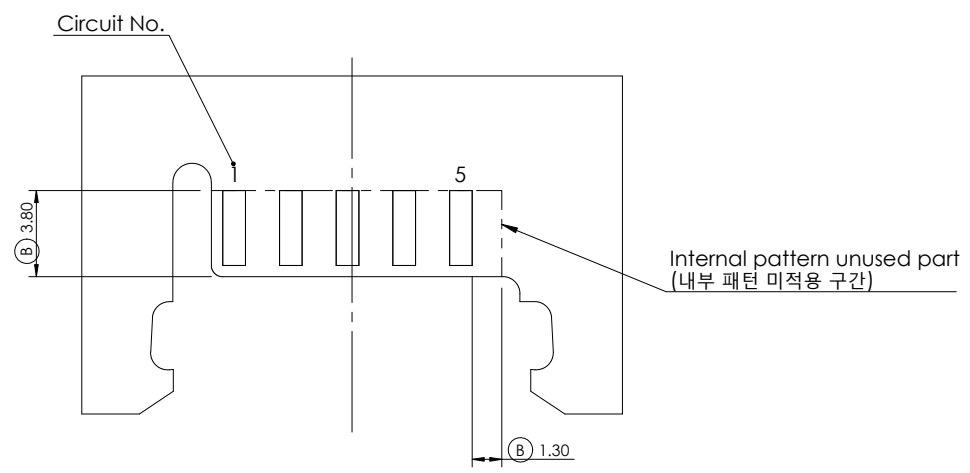


REV	REVISION RECORD	DATE	DRWN	CHKD	APVD
A	RELEASED	25 MAY '20	JK	KH	CY
B	CHANGED (RD-2021-025)	25 FEB '21	JK	KH	CY



3D View



-NOTE 2. (PCB)-
 1. Thickness : 1.60 ±0.16
 2. Finish : Same as terminal plating
 Ex) Sn HASL→Sn, Au→Au
 3. Recommendation : Apply a via hole for connect both sides.
 4. Concrete specifications are discussed with UJU.

-NOTE 1. (Housing)-
 1. General Tolerance : ±0.3
 2. HSG Description : See TABLE 1.
 3. Applicable Receptacle : See TABLE 2.
 4. Optional Applicable T/CPA : See TABLE 3.

TABLE 2.

PCB Slot Rec.	Part No.	Material	Finish	Wire Size (mm ²)
KH1600036-21		Copper Alloy	Pre-Tin	0.3 ~ 0.5

TABLE 1.

PCB Slot 5F HSG	KH1900091-20	PA66-GF15	Black	White
	KH1900091-10		Natural	Black
Description	Part No.	Material	Finish / Color	Marking Color

TOLERANCES UNLESS OTHERWISE SPECIFIED	UNIT MM
0 ±	THIRD ANGLE PROJECTION
0.0 ±	
0.00 ±	
0.000 ±	
0.0000 ±	
ANGLES ±	
PRODUCT SPEC	APPLICATION SPEC

DRWN JK. HWANG	(주)우주 일렉트로닉스 UJU Electronics co.,Ltd.	
CHKD KH. PARK		
APVD CY. CHOI		
MATERIAL	NAME PCB Slot 5F HSG	
FINISH/COLOR	CUSTOMER DRAWING KH1900091	
WEIGHT	LOC	RESTRICTED TO
	SIZE A3	SCALE 3:1
		SHEET 1 of 1
		REV B