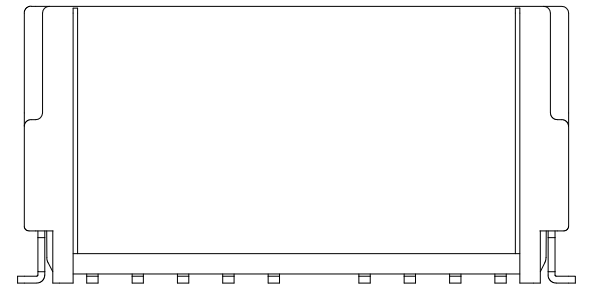
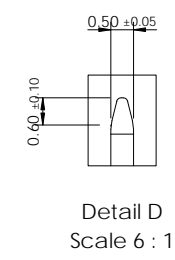
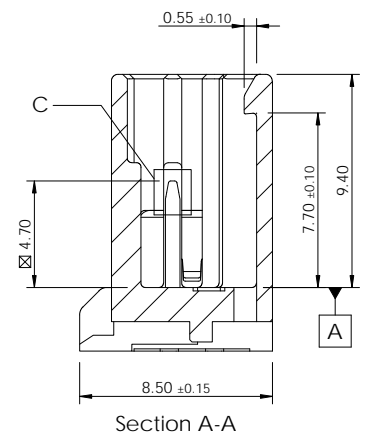
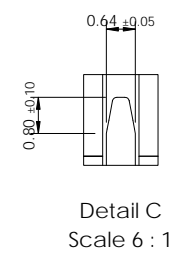
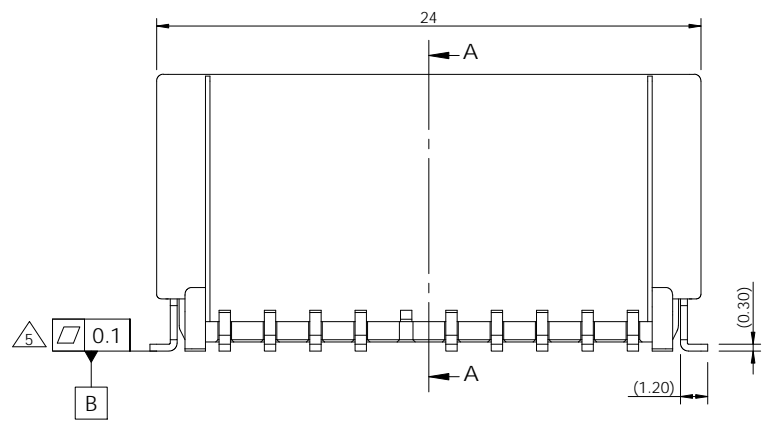
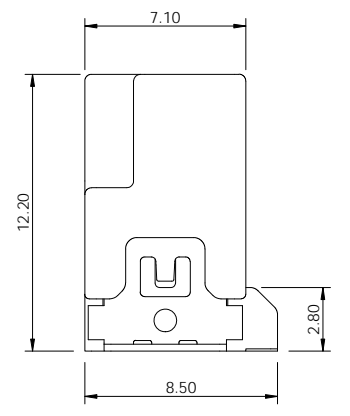
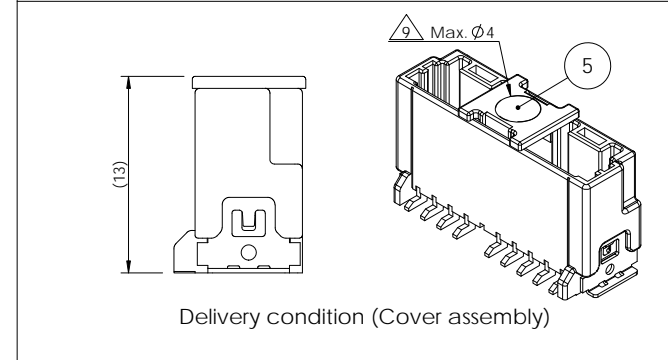
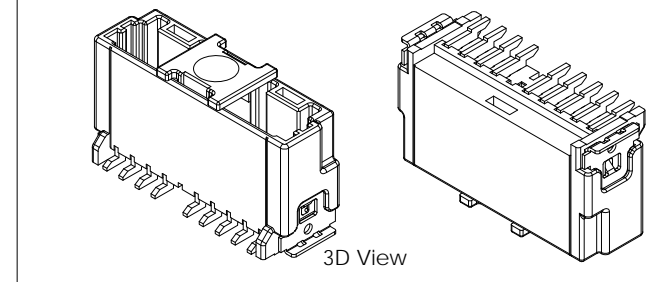
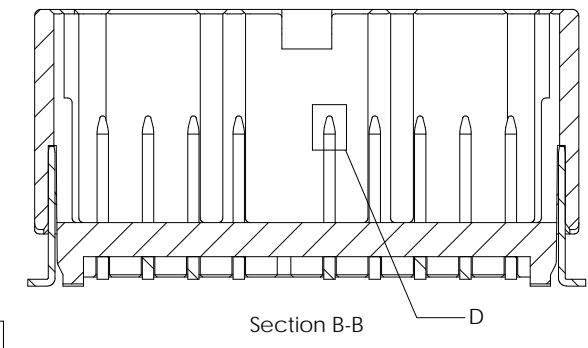
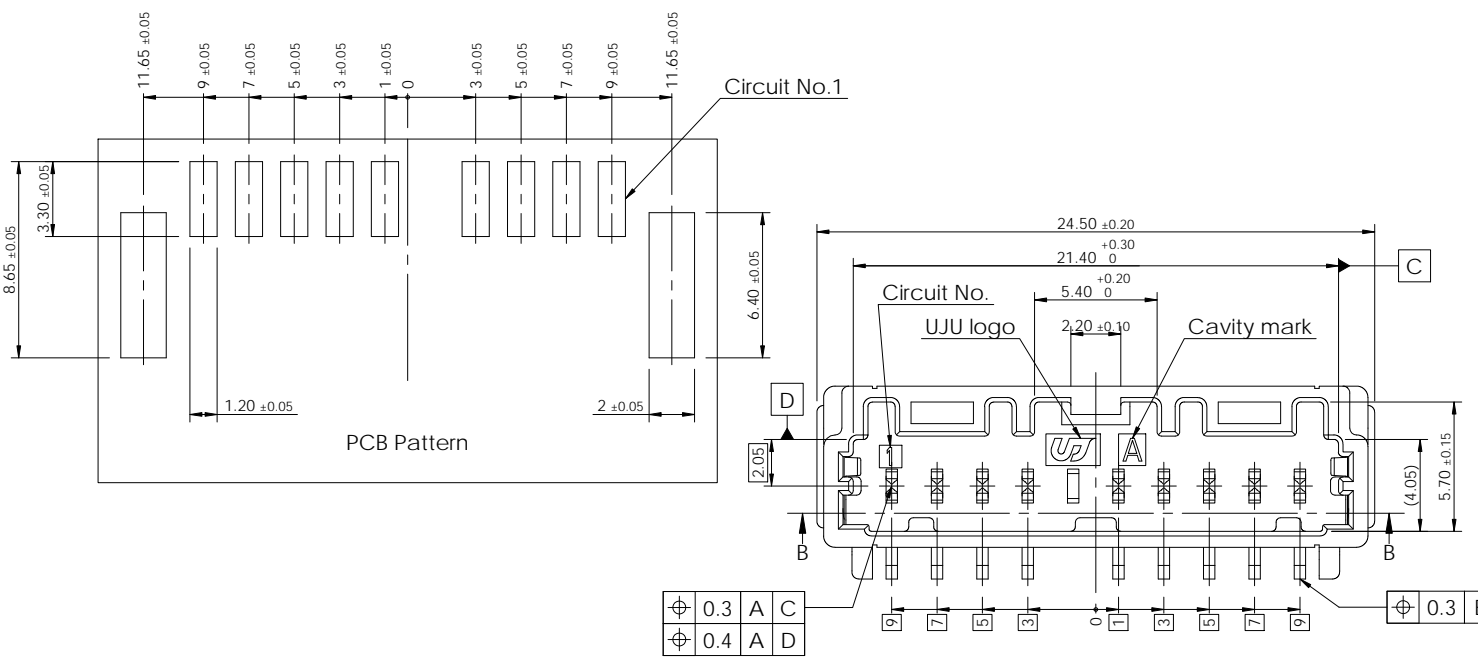
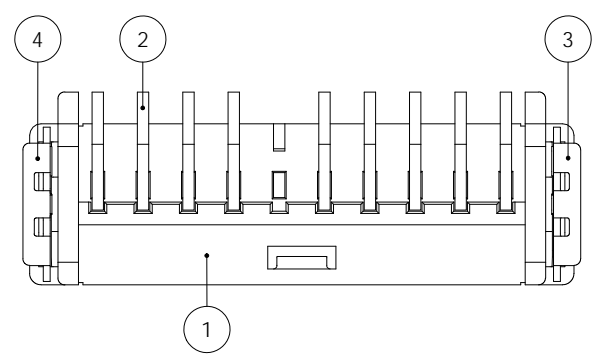
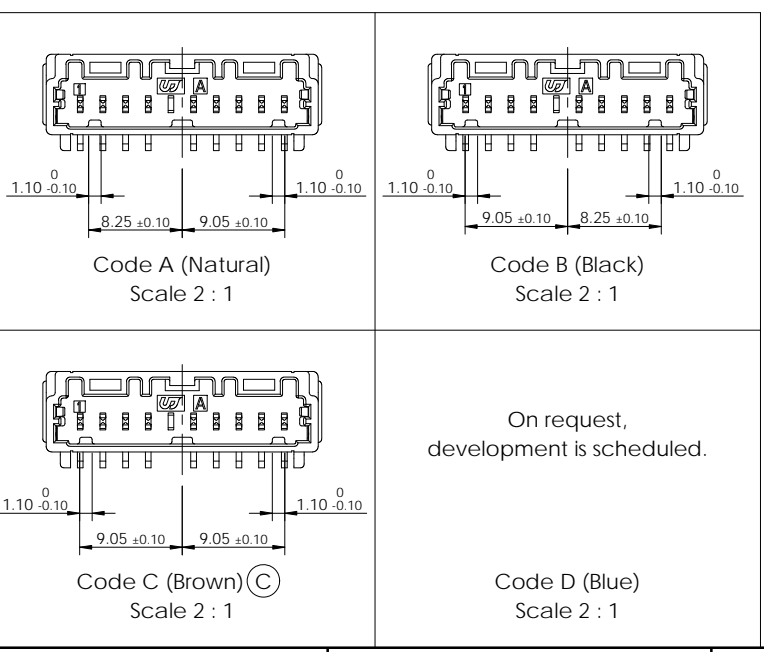


REV	REVISION RECORD	DATE	DRWN	CHKD	APVD
A	RELEASED (RD-2020-100)	08 JUL '20	JK	KH	CY
B	CHANGED (RD-2020-137)	20 OCT '20	JK	KH	CY
C	CHANGED (RD-2022-138)	07 NOV '22	JK	SJ	CY



Code	Part No.	Description
D	-	020_D_C_SMT_9M_V_ASSY_BL
C	KH1900062-42	020_D_C_SMT_9M_V_ASSY_BR
B	KH1900062-21	020_D_C_SMT_9M_V_ASSY_BK
A	KH1900062-10	020_D_C_SMT_9M_V_ASSY_NR



-Note-

- General tolerance : Refer to DIN 16742 TG5 specification.
- Burr Max.0.3
- No crack
- All letters shall be clear and legible.
- Measuring the dimensions of Tab TML and Solder Peg.
- Finish Tab TML and Solder Peg  
- Sn plating 2.5~4.0µm (matte) over Ni 1.0~2.0µm
- Packing : Emboss tape
- Flammability : UL94-HB
- Vacum grip area free of burr and factor pins, Max.Ø4.0
- Matching part  
- KH1900023 (020\_D\_C\_9F\_ASSY)

No.	Description	Material	Finish / Color	Q'ty
5	020_D_SMT_Cover_BK	LCP (E471i)	Black	1 1 1 1
4	020 SMT Solder Peg VTC-L	Copper alloy	Post-Sn	1 1 1 1
3	020 SMT Solder Peg VTC-R	Copper alloy	Post-Sn	1 1 1 1
2	020 SMT Tab TML VTC	Copper alloy	Post-Sn	9 9 9 9
1	020_D_SMT_10M_V_HSG_BL	PA9T-GF30	Blue	1 - - -
	020_D_SMT_10M_V_HSG_BR	PA9T-GF30	Brown	- 1 - -
	020_D_SMT_10M_V_HSG_BK	PA9T-GF30	Black	- - 1 -
	020_D_SMT_10M_V_HSG_NR	PA9T-GF30	Natural	- - - 1

DRWN JK. HWANG	NAME <b>020_D_C_SMT_9M_V_ASSY</b>	CUSTOMER DRAWING <b>KH1900062</b>	DRAWING NO. <b>KH1900062</b>
CHKD SJ. LEE			
APVD CY. CHOI			
TOLERANCES UNLESS OTHERWISE SPECIFIED	UNIT <b>MM</b>	MATERIAL SEE TABLE	FINISH/COLOR SEE TABLE
0 ±	THIRD ANGLE PROJECTION	WEIGHT	LOC RESTRICTED TO
0.0 ±	ANGLE	SIZE <b>A3</b>	SCALE <b>3:1</b>
0.00 ±	APPLICATION SPEC	SIZE <b>A3</b>	SCALE <b>3:1</b>
0.000 ±	PRODUCT SPEC	SIZE <b>A3</b>	SCALE <b>3:1</b>
0.0000 ±	PRODUCT SPEC	SIZE <b>A3</b>	SCALE <b>3:1</b>
ANGLES ±	PRODUCT SPEC	SIZE <b>A3</b>	SCALE <b>3:1</b>
PRODUCT SPEC	PRODUCT SPEC	SIZE <b>A3</b>	SCALE <b>3:1</b>

DRWN JK. HWANG  
CHKD SJ. LEE  
APVD CY. CHOI

NAME  
**020\_D\_C\_SMT\_9M\_V\_ASSY**

CUSTOMER DRAWING  
**KH1900062**

DRAWING NO.  
**KH1900062**

LOC RESTRICTED TO  
SIZE  
**A3**

SCALE  
**3:1**

SHEET  
**1 of 1**

REV  
**C**