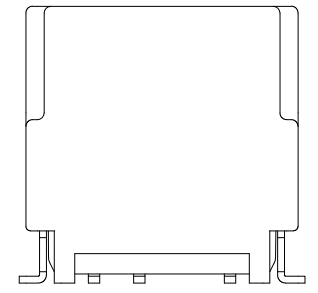
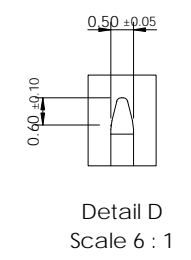
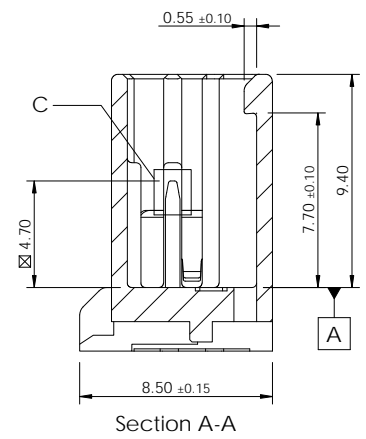
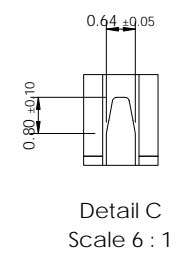
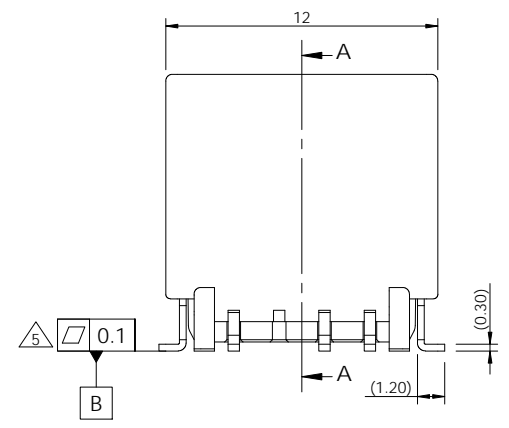
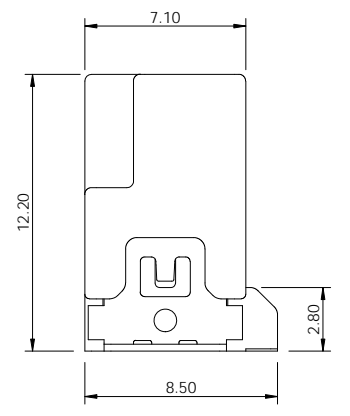
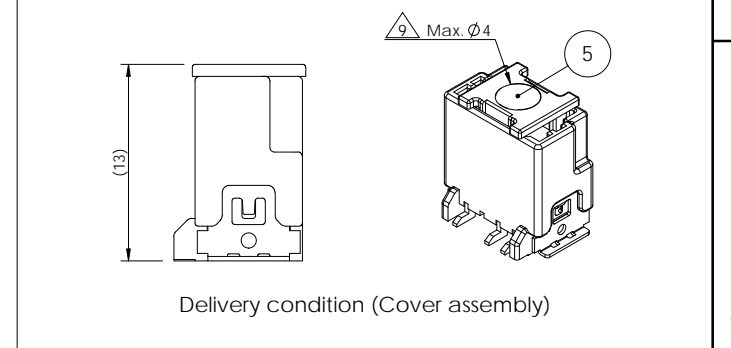
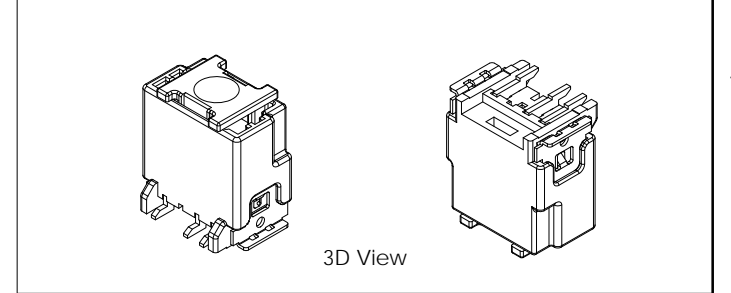
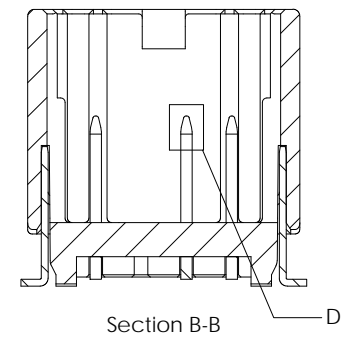
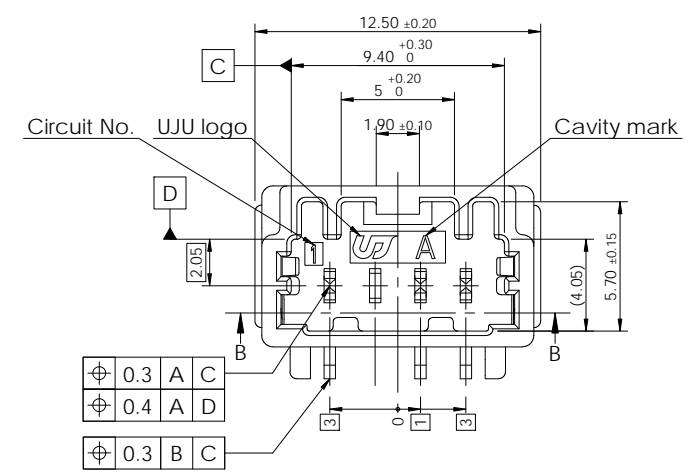
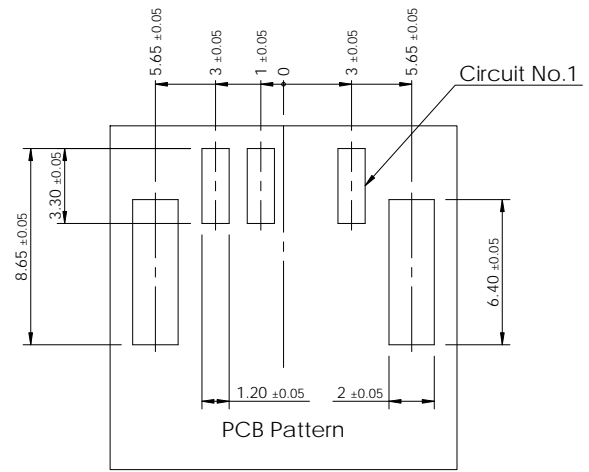
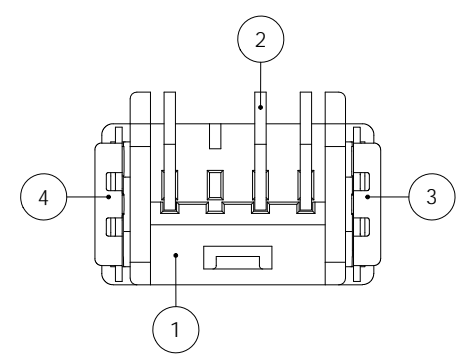
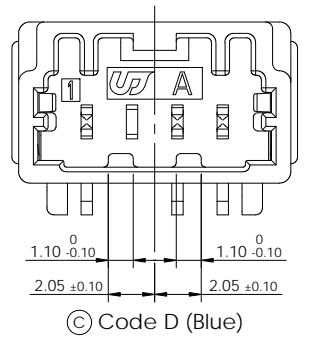
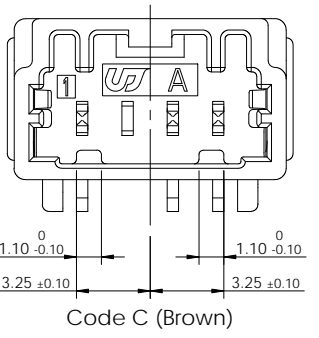
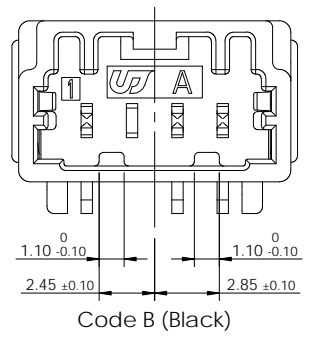
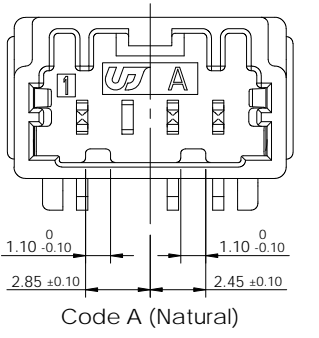


REV	REVISION RECORD	DATE	DRWN	CHKD	APVD
A	RELEASED (RD-2020-100)	08 JUL '20	JK	KH	CY
B	RELEASED (RD-2020-137)	20 OCT '20	JK	KH	CY
C	RELEASED (RD-2022-012)	26 JAN '22	JK	KH	CY



Code	Part No.	Description
D	KH1900057-83	020_D_C_SMT_3M_V_ASSY_BL
C	KH1900057-42	020_D_C_SMT_3M_V_ASSY_BR
B	KH1900057-21	020_D_C_SMT_3M_V_ASSY_BK
A	KH1900057-10	020_D_C_SMT_3M_V_ASSY_NR



-Note-

- General tolerance : Refer to DIN 16742 TG5 specification.
- Burr Max.0.3
- No crack
- All letters shall be clear and legible.
- Measuring the dimensions of Tab TML and Solder Peg.
- Finish Tab TML and Solder Peg  
- Sn plating 2.5~4.0µm (matte) over Ni 1.0~2.0µm
- Packing : Emboss tape
- Flammability : UL94-HB
- Vacum grip area free of burr and fector pins, Max.Ø4.0
- Matching part  
- KH1900012 (020\_D\_C\_3F\_ASSY)

No.	Description	Material	Finish / Color	Q'ty
5	020_D_SMT_Cover_BK	LCP (E471i)	Black	1 1 1 1
4	020 SMT Solder Peg VTC-L	Copper alloy	Post-Sn	1 1 1 1
3	020 SMT Solder Peg VTC-R	Copper alloy	Post-Sn	1 1 1 1
2	020 SMT Tab TML VTC	Copper alloy	Post-Sn	3 3 3 3
1	020_D_SMT_4M_V_HSG_BL	PA9T-GF30	Blue	1 - - -
	020_D_SMT_4M_V_HSG_BR	PA9T-GF30	Brown	- 1 - -
	020_D_SMT_4M_V_HSG_BK	PA9T-GF30	Black	- - 1 -
	020_D_SMT_4M_V_HSG_NR	PA9T-GF30	Natural	- - - 1

TOLERANCES UNLESS OTHERWISE SPECIFIED		UNIT MM		THIRD ANGLE PROJECTION	
0	±	SEE TABLE		NAME	
0.0	±	SEE TABLE		CUSTOMER	
0.00	±	SEE TABLE		DRAWING NO	
0.000	±	SEE TABLE		KH1900057	
0.0000	±	SEE TABLE		LOC	
ANGLES	±	WEIGHT		RESTRICTED TO	
PRODUCT SPEC	±	APPLICATION SPEC		SIZE	
				SCALE	
				3:1	
				SHEET	
				1 of 1	
				REV	
				C	