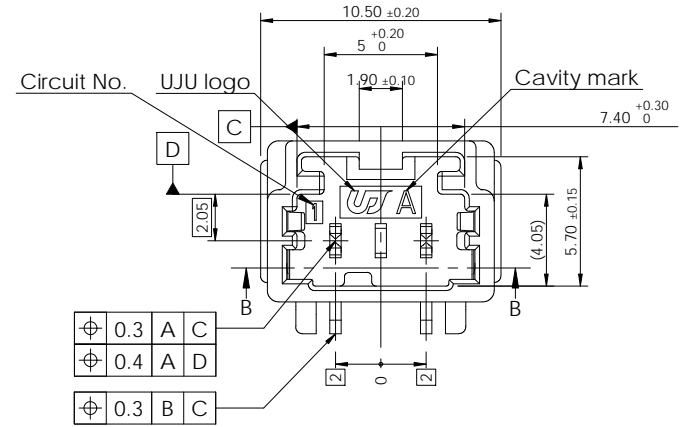
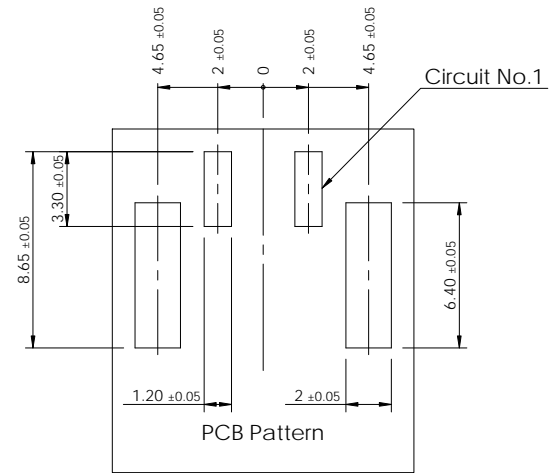
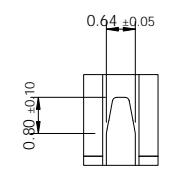
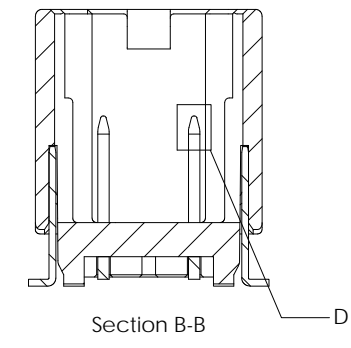


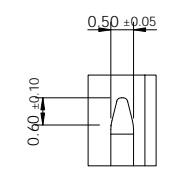
REV	REVISION RECORD	DATE	DRWN	CHKD	APVD
A	RELEASED (RD-2020-100)	08 JUL '20	JK	KH	CY
B	RELEASED (RD-2020-137)	20 OCT '20	JK	KH	CY



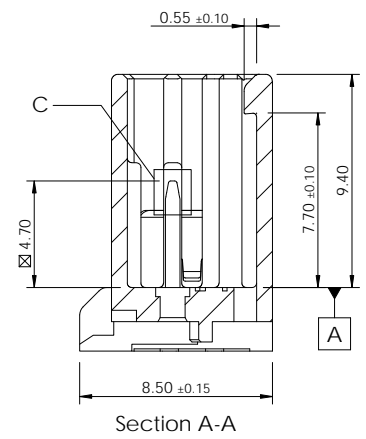
∅ 0.3	A	C
∅ 0.4	A	D
∅ 0.3	B	C



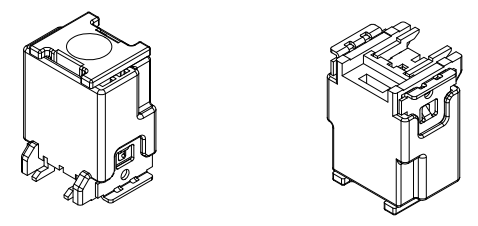
Detail C
Scale 6 : 1



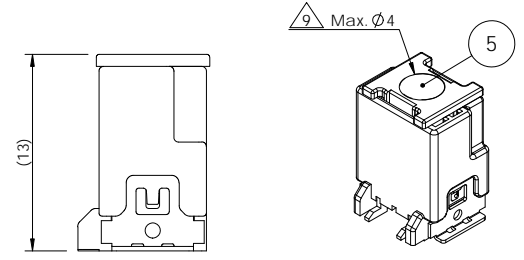
Detail D
Scale 6 : 1



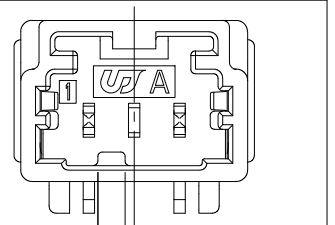
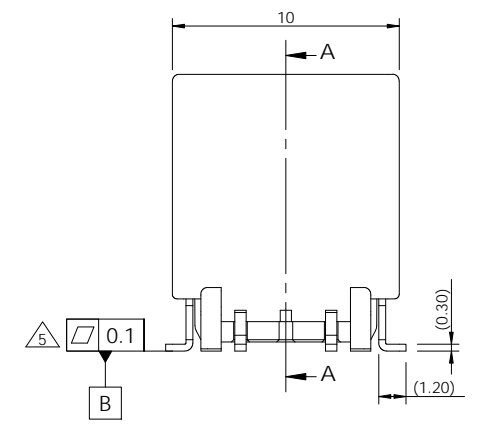
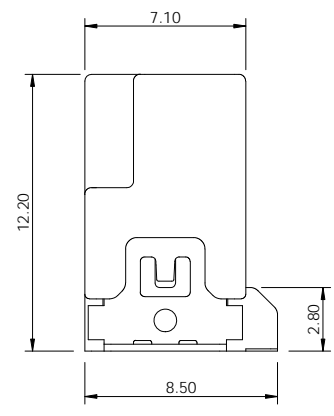
Section A-A



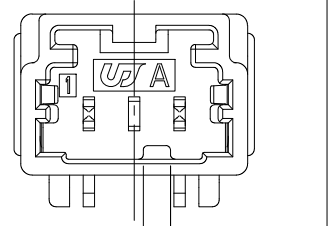
3D View



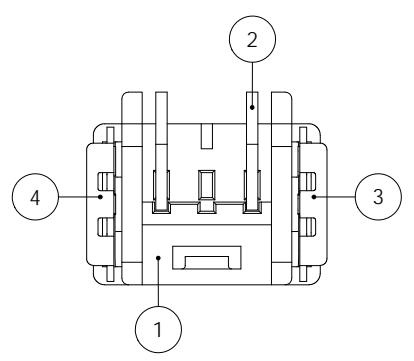
Delivery condition (Cover assembly)



Code A (Natural)



Code B (Black)



-Note-

1. General tolerance : Refer to DIN 16742 TG5 specification.
2. Burr Max.0.3
3. No crack
4. All letters shall be clear and legible.
5. Measuring the dimensions of Tab TML and Solder Peg.
6. Finish Tab TML and Solder Peg
- Sn plating 2.5~4.0µm (matte) over Ni 1.0~2.0µm
7. Packing : Emboss tape
8. Flammability : UL94-HB
9. Vacuum grip area free of burr and factor pins, Max.∅4.0
10. Matching part
- KH1900009 (020_D_C_2F_ASSY)

No.	Description	Material	Finish / Color	Q'ty
5	020_D_SMT_Cover_BK	LCP (E471i)	Black	1 1
4	020 SMT Solder Peg VTC-L	Copper alloy	Post-Sn	1 1
3	020 SMT Solder Peg VTC-R	Copper alloy	Post-Sn	1 1
2	020 SMT Tab TML VTC	Copper alloy	Post-Sn	2 2
1	020_D_SMT_3M_V_HSG_BK	PA9T-GF30	Black	1 -
	020_D_SMT_3M_V_HSG_NR	PA9T-GF30	Natural	- 1

DRWN JK. HWANG	 (주)우주 일렉트로닉스 UJU Electronics co.,Ltd.	
CHKD KH. PARK		
APVD CY. CHOI	NAME	
MATERIAL	020_D_C_SMT_2M_V_ASSY	
FINISH/COLOR	SEE TABLE	
WEIGHT	SEE TABLE	
CUSTOMER DRAWING		DRAWING NO
KH1900056		KH1900056
LOC	RESTRICTED TO	SIZE
A3	SCALE	3:1
SHEET		1 of 1
REV		B

Description	Part No.	Code
020_D_C_SMT_2M_V_ASSY_BK	KH1900056-21	B
020_D_C_SMT_2M_V_ASSY_NR	KH1900056-10	A