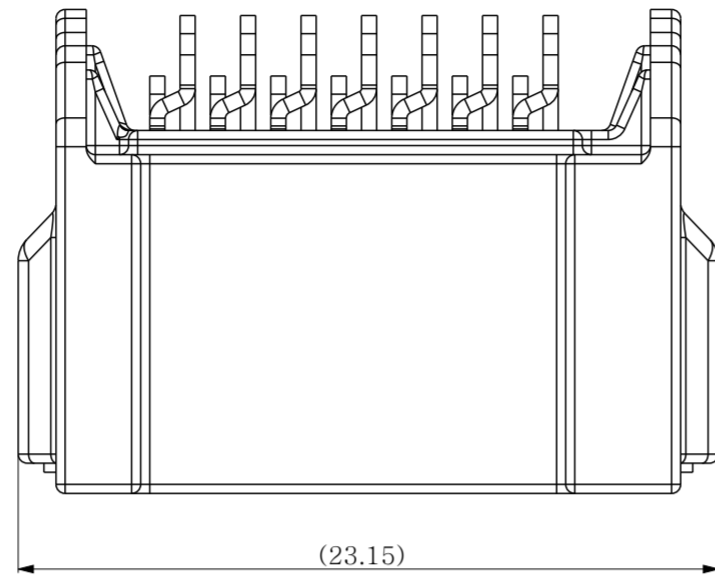
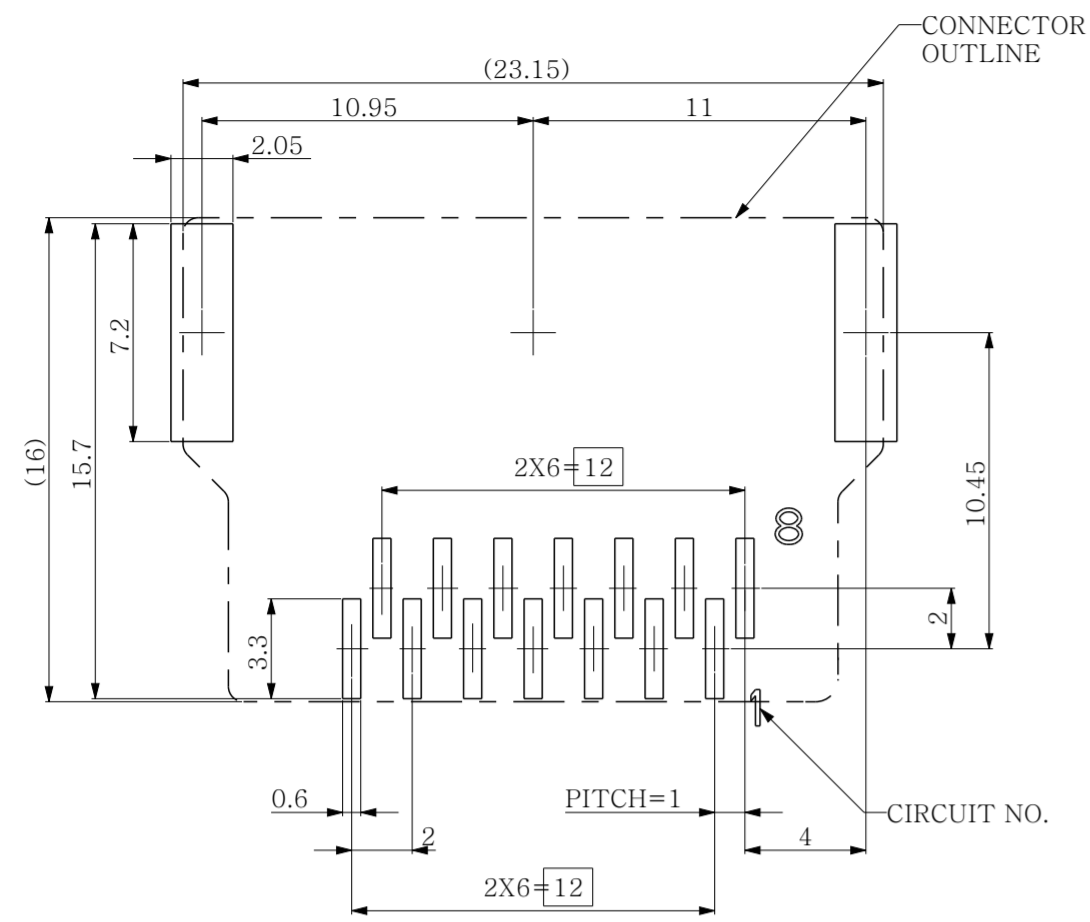
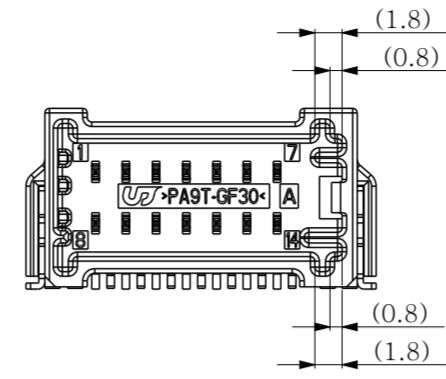


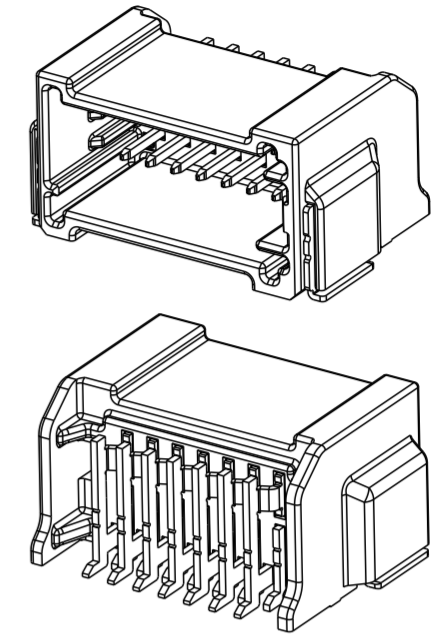
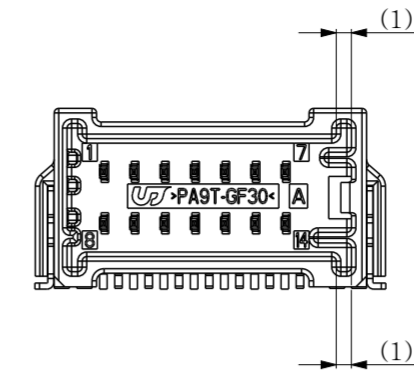
PCB PATTERN



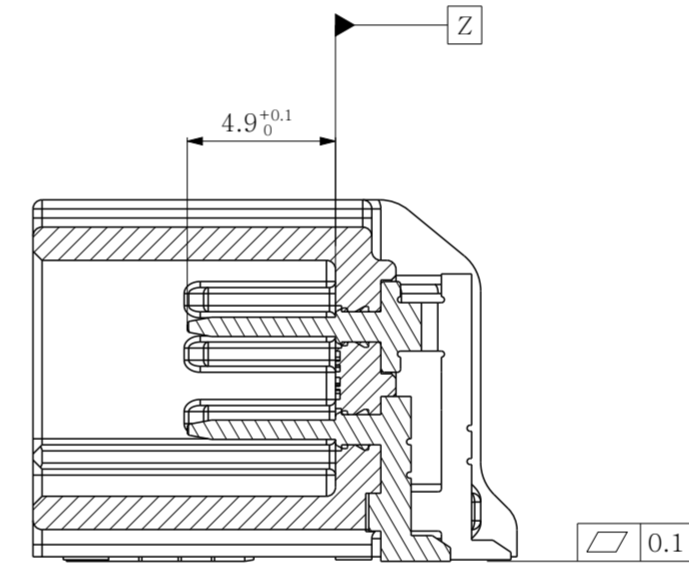
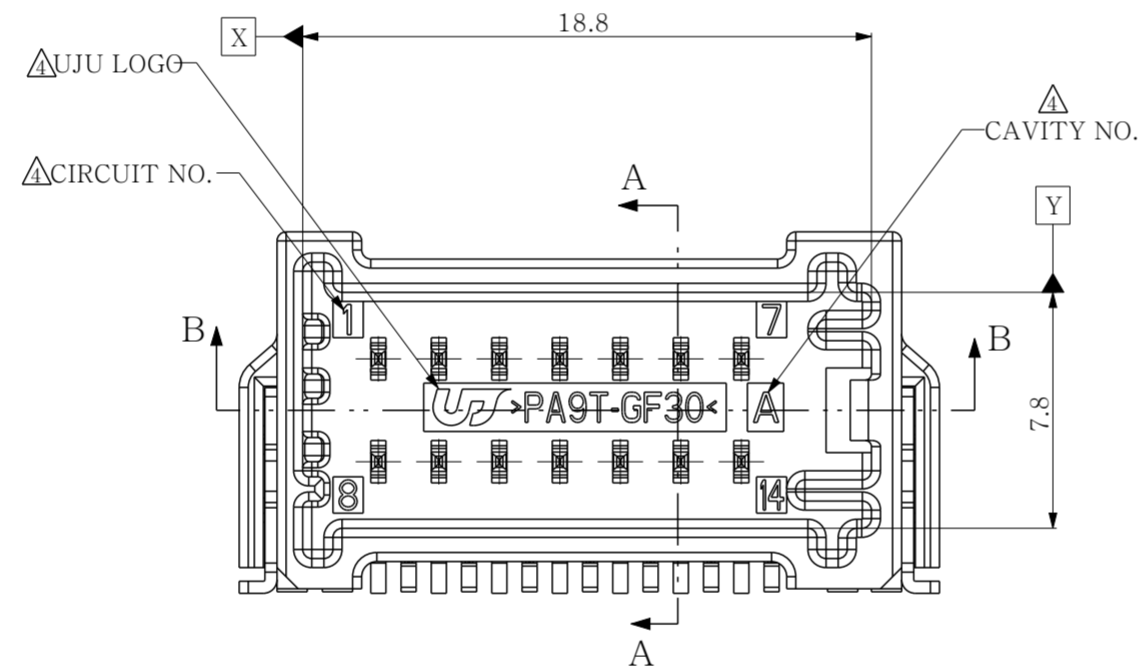
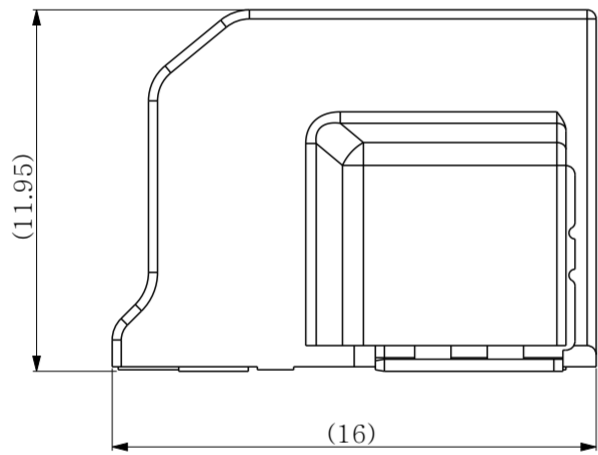
CODE A (NATURAL)



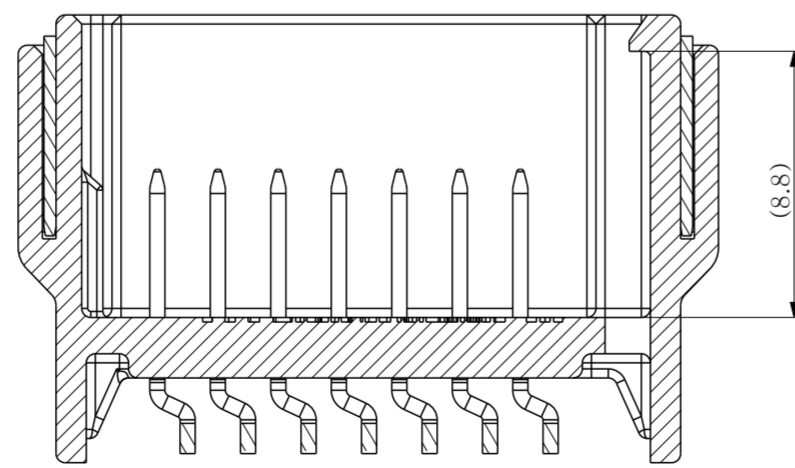
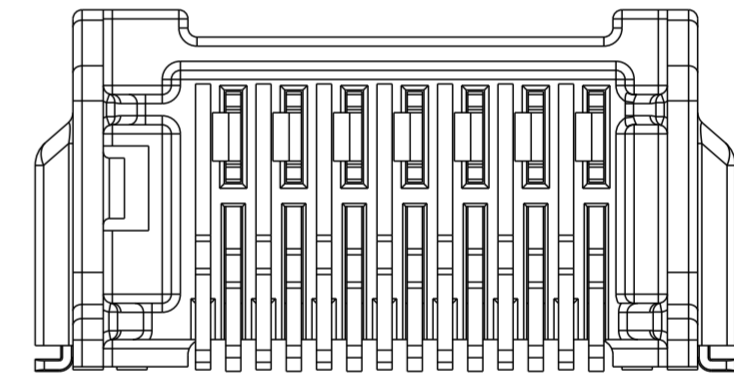
CODE B (BLACK)



ISO VEIW



SECTION A-A



SECTION B-B

NOTE.
1. GENERAL TOLERANCE : ±0.3, ±3°

2. BURR SIDE IS NOT PERMITTED.

3. NO CRACK.

4. ALL LETTERS SHALL BE CLEAR AND LEGIBLE

5. MEASURING THE DIMENSIONS OF TAB TML

NO.	DESCRIPTION	CODE	MATERIAL	FINISH/COLOR	Q'TY
5	025 SMT SOLDER PEG_H_L	-	BRASS	POST-TIN	1 1
4	025 SMT SOLDER PEG_H_R	-	BRASS	POST-TIN	1 1
3	020_D_SMT_H_TAB_L	-	BRASS	POST-TIN	7 7
2	020_D_SMT_H_TAB_S	-	BRASS	POST-TIN	7 7
1	020_D_TR_SMT_14M_H_HSG_BK	B	PA9T-GF30 (G1300A-M42)	BLACK	1 -
	020_D_TR_SMT_14M_H_HSG_NR	A		NATURAL	- 1

DRWN	KC.HAN		(주)우주일렉트로닉스 UJU Electronics co.,Ltd.			
CHKD	KH.PARK					
APVD	CY.CHOI					
NAME			020_D_TR_SMT_14M_H_ASSY			
FINISH/COLOR			CUSTOMER DRAWING		DRAWING NO	
PRODUCT SPEC			WEIGHT		KH1900054	
TOLERANCES UNLESS OTHERWISE SPECIFIED			UNIT MM		SCALE	
THIRD ANGLE PROJECTION			APPLIED TO		SHEET	
0 ±			RESTRICTED TO		1 OF 1	
0.0 ±			SIZE		REV	
0.00 ±			A2		A	
0.000 ±			4:1			
0.0000 ±			1 OF 1			
ANGLES ±						