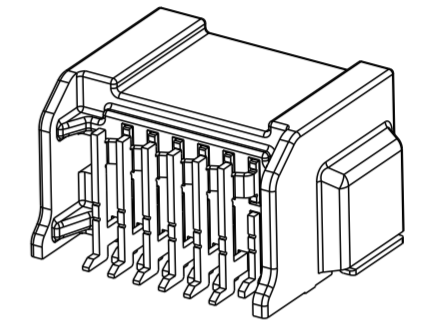
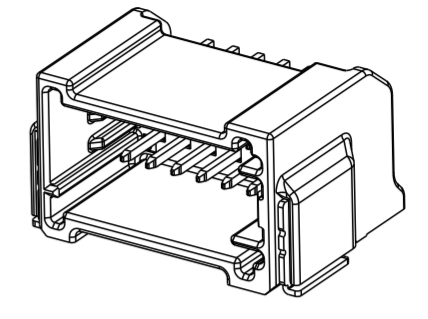
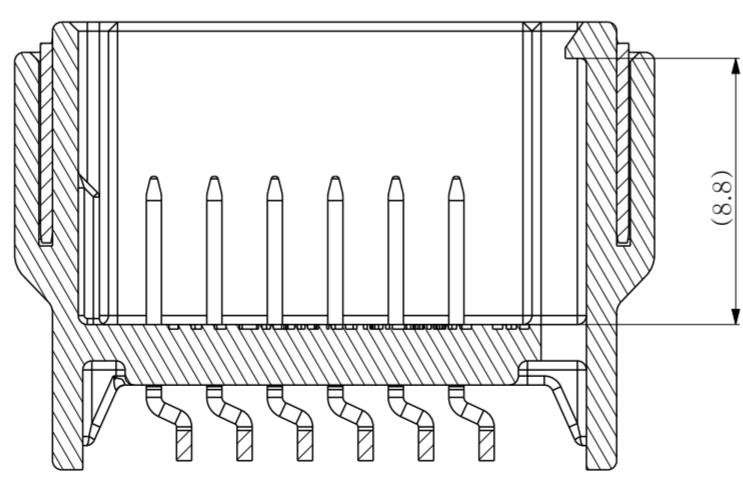
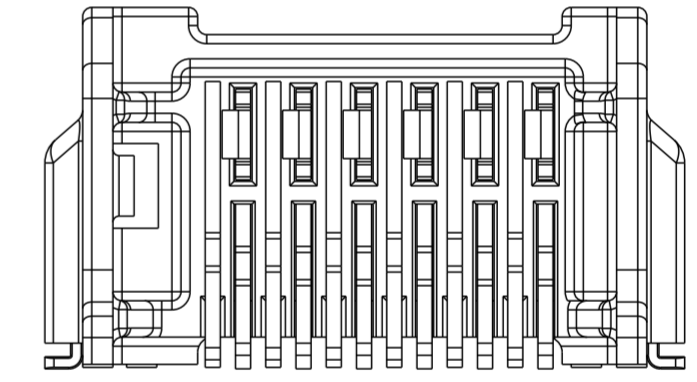
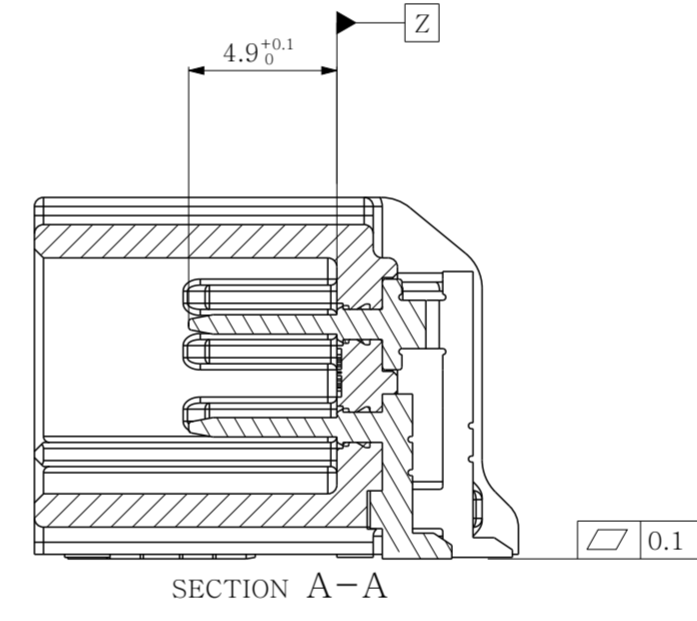
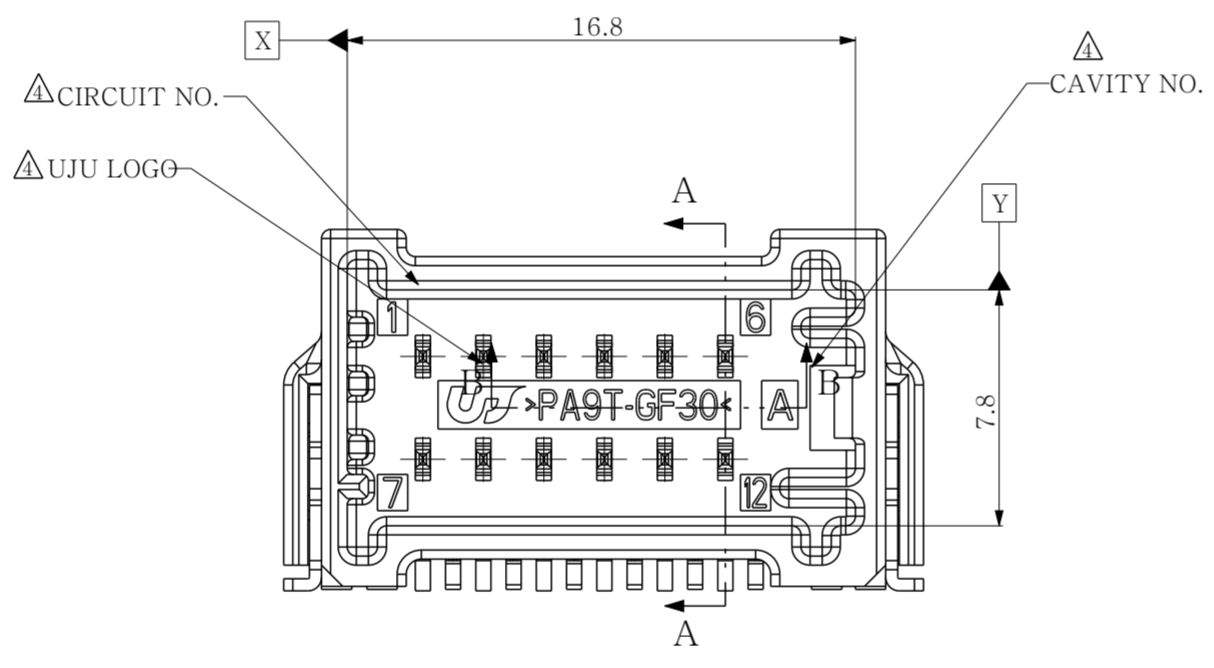
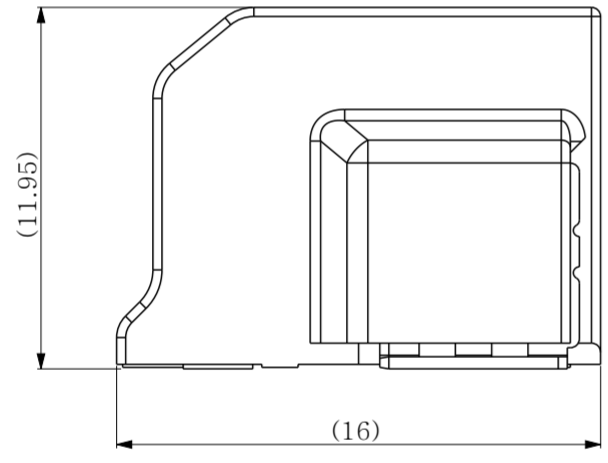


REV	REVISION RECORD	DATE	DRWN	CHKD	APVD
A	RELEASED (RD-2021-210)	04 NOV '21	KC	KH	CY



ISO VEIW



SECTION B-B

- NOTE.
- GENERAL TOLERANCE : $\pm 0.3, \pm 3^\circ$
 - BURR SIDE IS NOT PERMITTED.
 - NO CRACK.
 - ALL LETTERS SHALL BE CLEAR AND LEGIBLE
 - MEASURING THE DIMENSIONS OF TAB TML

NO.	DESCRIPTION	CODE	MATERIAL	FINISH/COLOR	Q'TY
5	025 SMT SOLDER PEG_H_L	-	BRASS	POST-TIN	1 1
4	025 SMT SOLDER PEG_H_R	-	BRASS	POST-TIN	1 1
3	020_D_SMT_H_TAB_L	-	BRASS	POST-TIN	6 6
2	020_D_SMT_H_TAB_S	-	BRASS	POST-TIN	6 6
1	020_D_TR_SMT_12M_H_HSG_BK	B	PA9T-GF30 (G1300A-M42)	BLACK	1 -
	020_D_TR_SMT_12M_H_HSG_NR	A		NATURAL	- 1

DRWN	KC.HAN		(주)우주일렉트로닉스 UJU Electronics co.,Ltd.			
CHKD	KH.PARK					
APVD	CY.CHOI		NAME			
TOLERANCES UNLESS OTHERWISE SPECIFIED			020_D_TR_SMT_12M_H_ASSY			
0 ±			-			
0.0 ±			-			
0.00 ±			-			
0.000 ±			-			
0.0000 ±			-			
ANGLES ±			-			
PRODUCT SPEC			APPLICATION SPEC		WEIGHT	
-			-		-	
UNIT MM			THIRD ANGLE PROJECTION		MATERIAL	
-			-		-	
FINISH/COLOR			CUSTOMER DRAWING		DRAWING NO	
-			-		KH1900050	
LOC			RESTRICTED TO		SCALE	
-			-		A2	
SHEET			SCALE		SHEET	
1 OF 1			4:1		1 OF 1	
REV			SHEET		REV	
A			-		A	