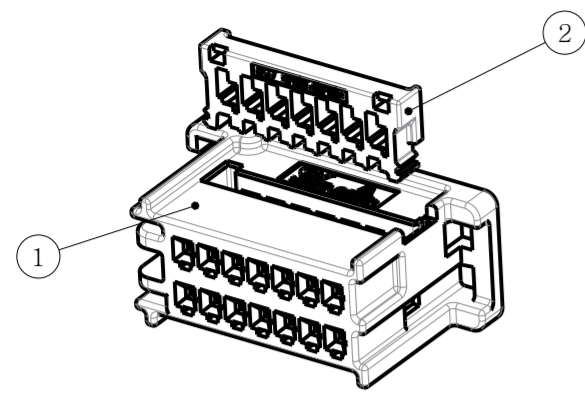
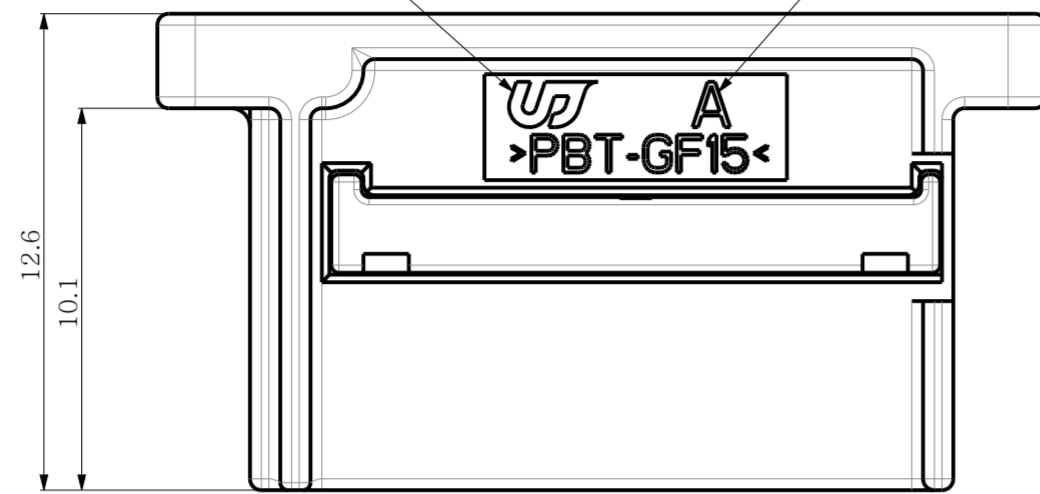


REV	REVISION RECORD	DATE	DRWN	CHKD	APVD
A	RELEASED(RD-2021-022)	24.FEB.21	DR	KH	CY

EXPLODED VIEW

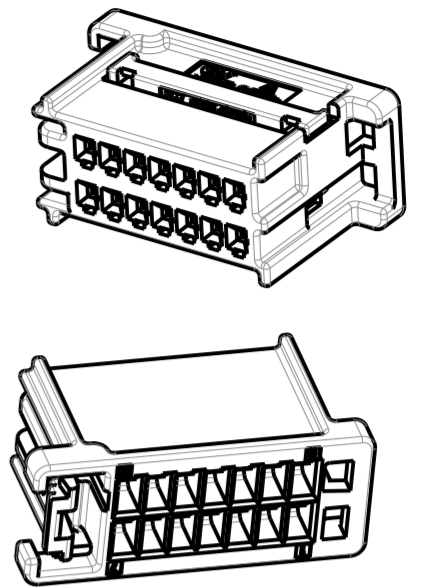
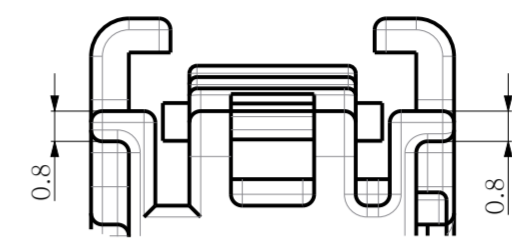
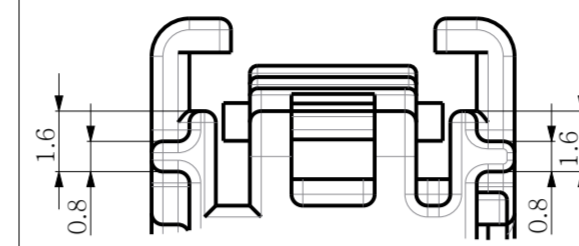


UJU LOGO
CAVITY NO.

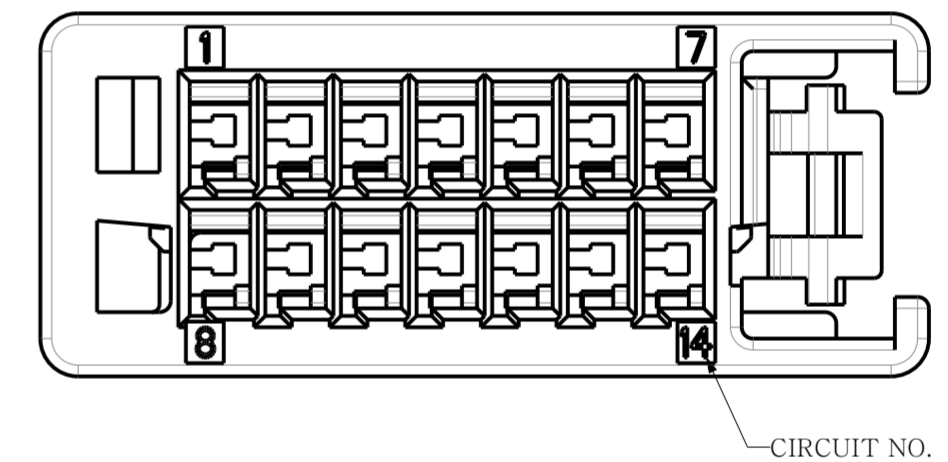
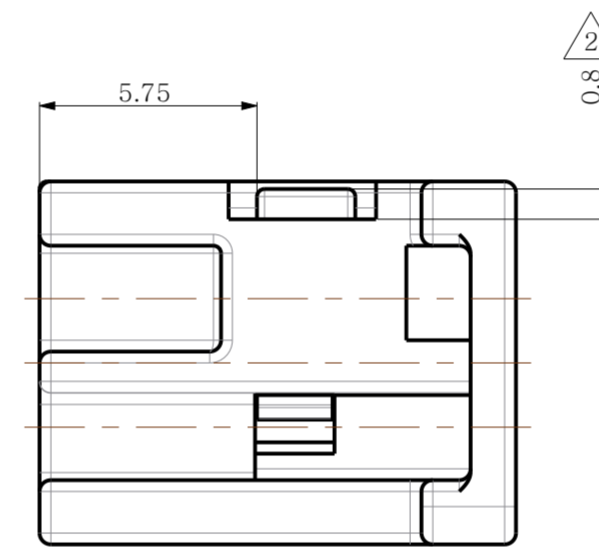
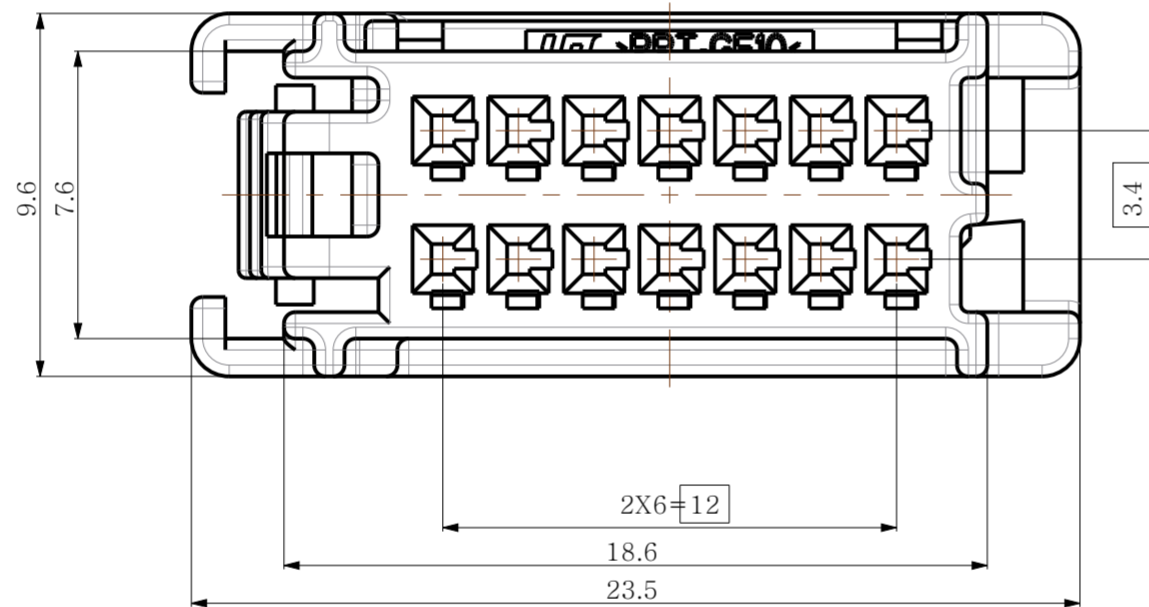
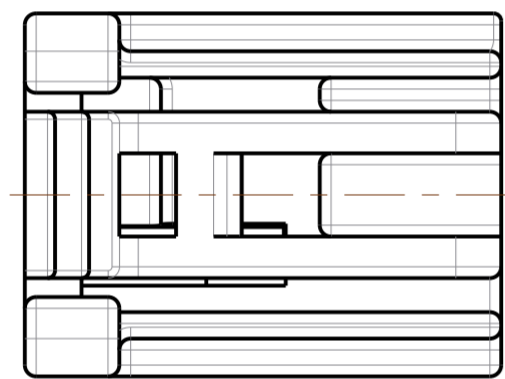


CODE A
(NATURAL)

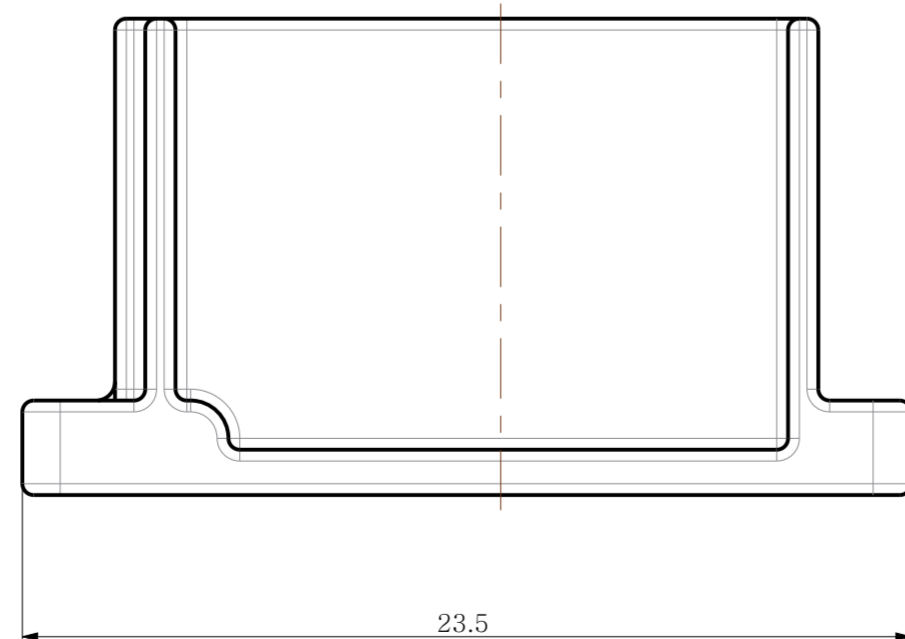
CODE B
(BLACK)



ISO VIEW



- NOTE.
- GENERAL TOLERANCE : $\pm 0.3, \pm 3^\circ$
 - DELIVERY CONDITION : TPA FIRST LOCK POSITION
 - BURR SIDE IS NOT PERMITTED.
 - NO CRACK.
 - ALL LETTERS SHALL BE CLEAR AND LEGIBLE
 - APPLICABLE RECEPTACLE TERMINAL :
- 020_D_F_TML : KH1700007-22



NO.	DESCRIPTION	CODE	MATERIAL	FINISH/COLOR	Q'TY
②	020_D_TR_14F_HSG_GR	-	PBT-GF10	GREEN	1
①	020_D_TR_14F_HSG_BK	B	PBT-GF15	BLACK	1
	020_D_TR_14F_HSG_NR	A	PBT-GF15	NATURAL	-
	020_D_TR_14F_ASSY_BK	B			1
	020_D_TR_14F_ASSY_NR	A			-

NO.	DESCRIPTION	CODE	MATERIAL	FINISH/COLOR	Q'TY
②	020_D_TR_14P_TPA_HSG_GR	-	PBT-GF10	GREEN	1
①	020_D_TR_14F_HSG_BK	B	PBT-GF15	BLACK	1
	020_D_TR_14F_HSG_NR	A	PBT-GF15	NATURAL	-

DRWN	TH LEE	(주)우주일렉트로닉스 UJU Electronics co.,Ltd.			
CHKD	KH PARK				
APVD	CY CHOI				
NAME		020_D_TR_14F_ASSY			
MATERIAL		FINISH/COLOR		DRAWING NO	
-		-		KH1900047	
PRODUCT SPEC		APPLICATION SPEC		WEIGHT	
-		-		-	
LOC		RESTRICTED TO		SCALE	
-		-		A2 5:1	
SHEET		SCALE		REV	
1 OF 1		1 OF 1		A	

TOLERANCES UNLESS OTHERWISE SPECIFIED	UNIT MM	THIRD ANGLE PROJECTION
0	±	
0.0	±	
0.00	±	
0.000	±	
0.0000	±	
ANGLES	±	
PRODUCT SPEC	APPLICATION SPEC	
-	-	