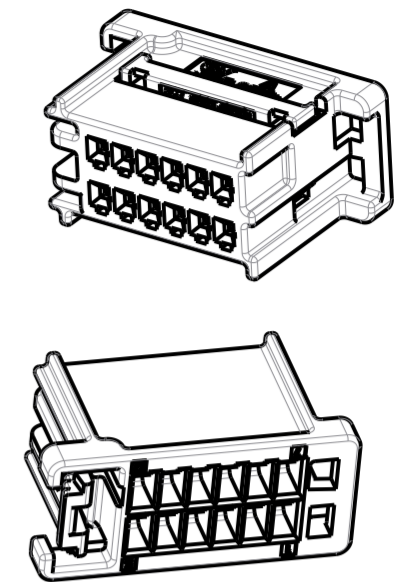
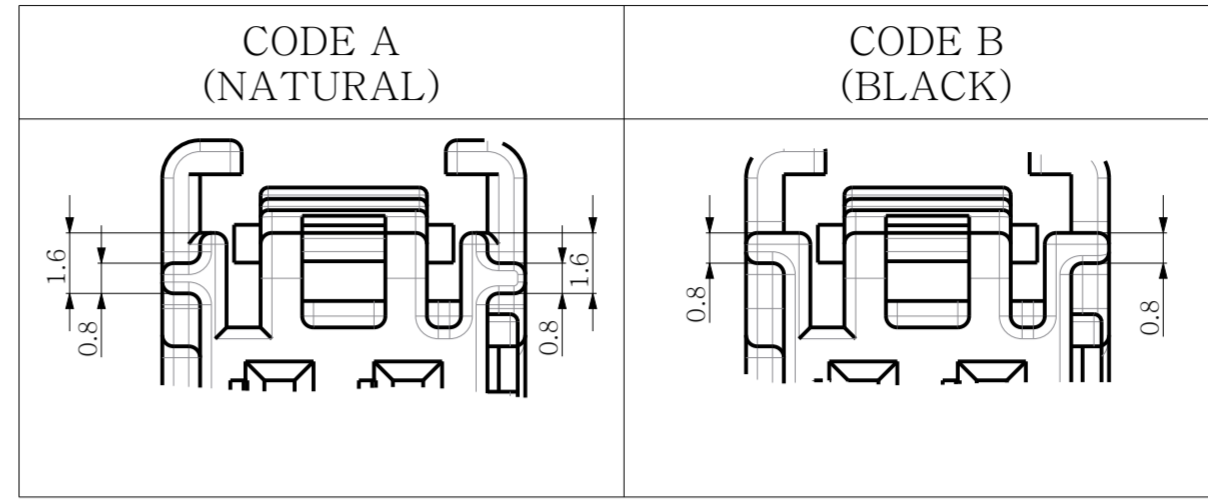
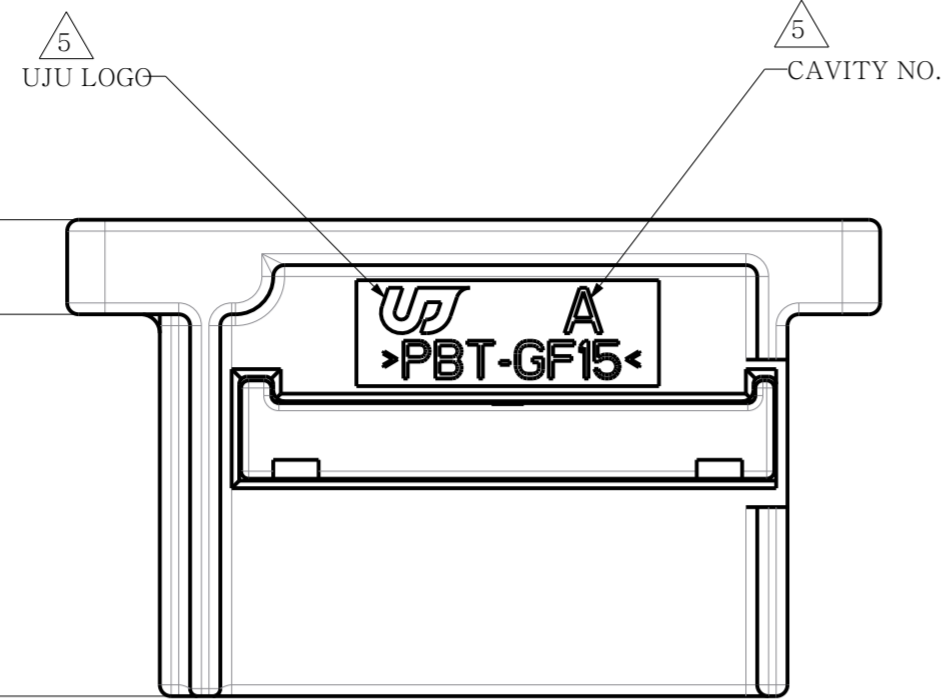
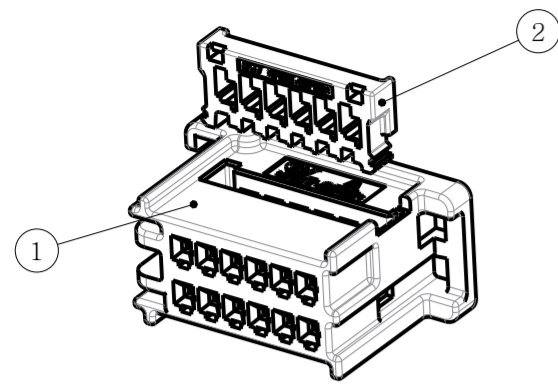
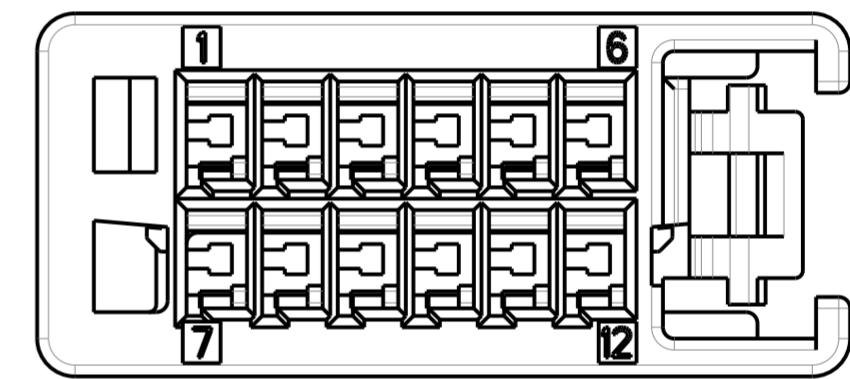
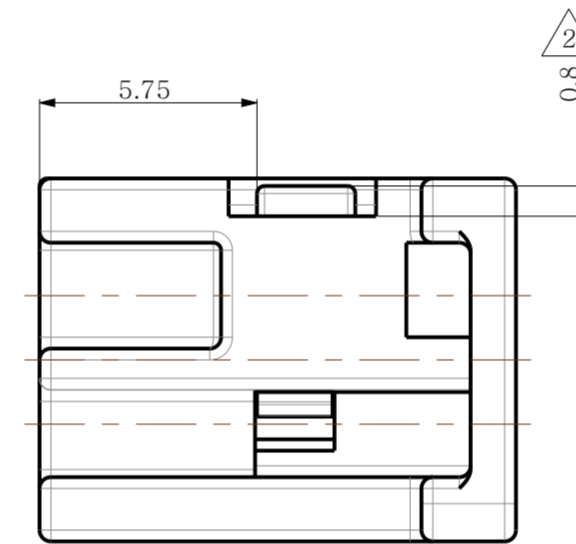
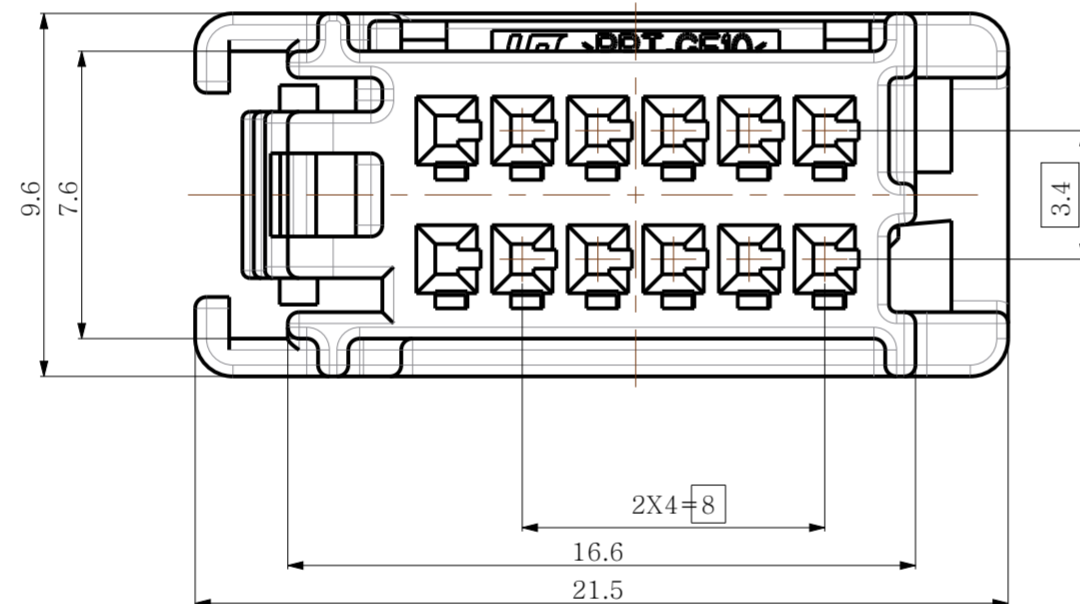
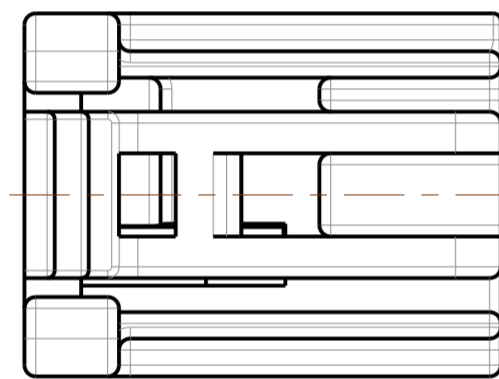


REV	REVISION RECORD	DATE	DRWN	CHKD	APVD
A	RELEASED (RD-2021-022)	23.FEB'21	DR	KH	CY

EXPLODED VIEW



ISO VIEW



SIRCUIT NO.

- NOTE.
- GENERAL TOLERANCE : $\pm 0.3, \pm 3^\circ$
 - DELIVERY CONDITION : TPA FIRST LOCK POSITION
 - BURR SIDE IS NOT PERMITTED.
 - NO CRACK.
 - ALL LETTERS SHALL BE CLEAR AND LEGIBLE
 - APPLICABLE RECEPTACLE TERMINAL :
- 020_D_F_TML : KH1700007-22

NO.	DESCRIPTION	CODE	MATERIAL	FINISH/COLOR	Q'TY
②	020_D_TR_12F_HSG_GR	-	PBT-GF10	GREEN	1
①	020_D_TR_12F_HSG_BK	B	PBT-GF15	BLACK	1
	020_D_TR_12F_HSG_NR	A	PBT-GF15	NATURAL	1

NO.	DESCRIPTION	CODE	MATERIAL	FINISH/COLOR	Q'TY
②	020_D_12P_TPA_HSG_GR	-	PBT-GF10	GREEN	1
①	020_D_TR_12F_HSG_BK	B	PBT-GF15	BLACK	1
	020_D_TR_12F_HSG_NR	A	PBT-GF15	NATURAL	1

TOLERANCES UNLESS OTHERWISE SPECIFIED	UNIT MM
0	±
0.0	±
0.00	±
0.000	±
0.0000	±
ANGLES	±
PRODUCT SPEC	APPLICATION SPEC
-	-

THIRD ANGLE PROJECTION

DRWN	DR KOO	(주)우주일렉트로닉스 UJU Electronics co.,Ltd.
CHKD	KH PARK	
APVD	CY CHOI	
NAME		020_D_TR_12F_ASSY
MATERIAL		-
FINISH/COLOR		-
DRAWING		DRAWING NO. KH1900044
WEIGHT	LOC	RESTRICTED TO
-	-	SIZE SCALE SHEET REV
-	-	A2 5:1 1 OF 1 A