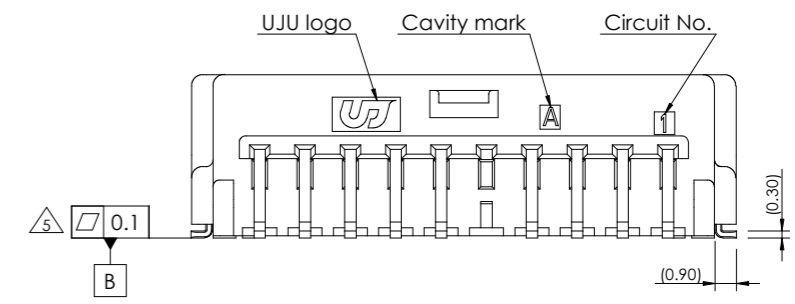
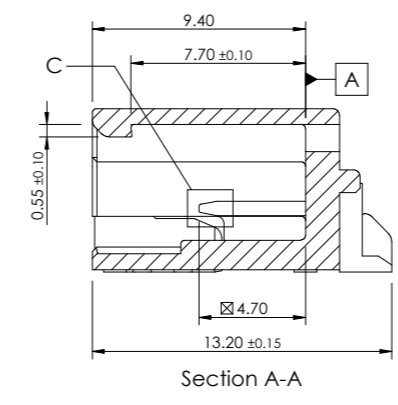
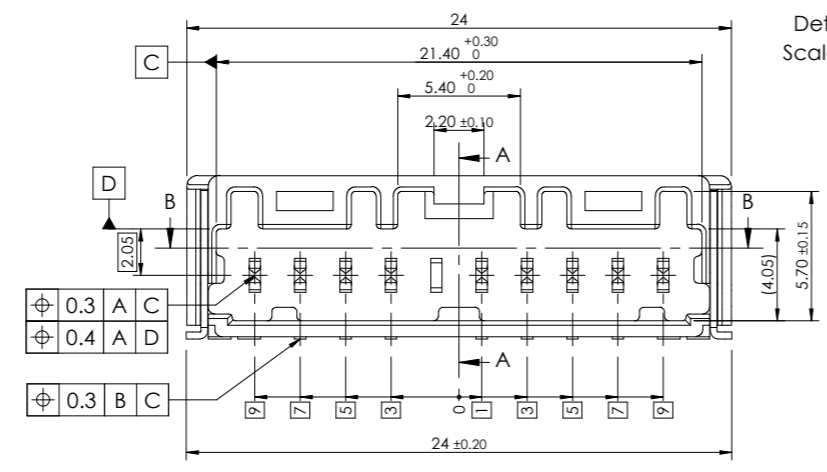
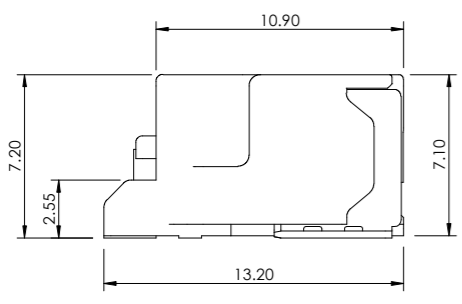
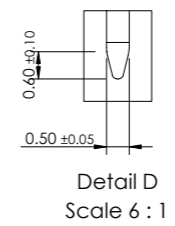
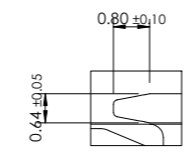
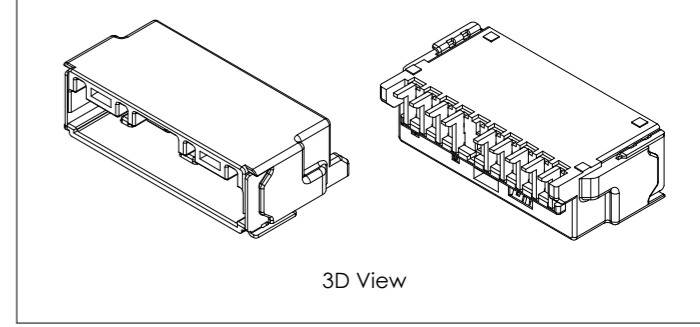
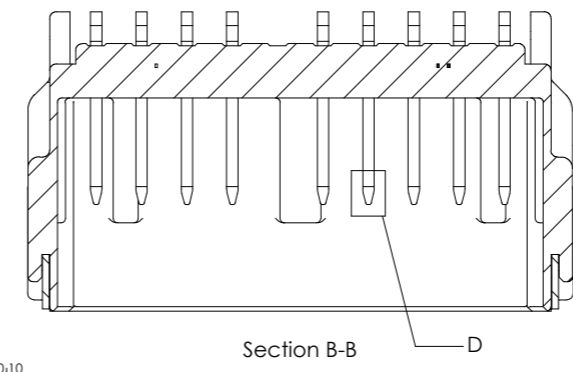
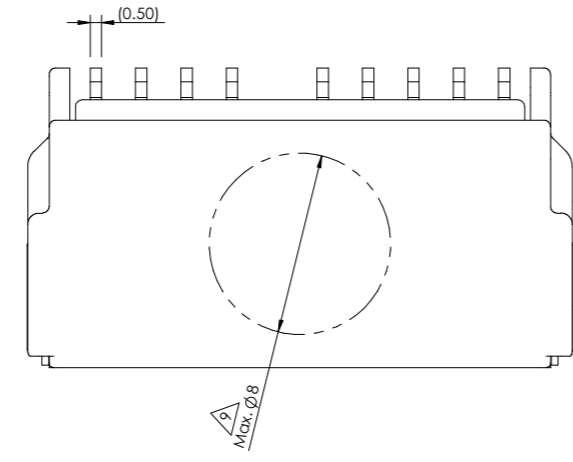
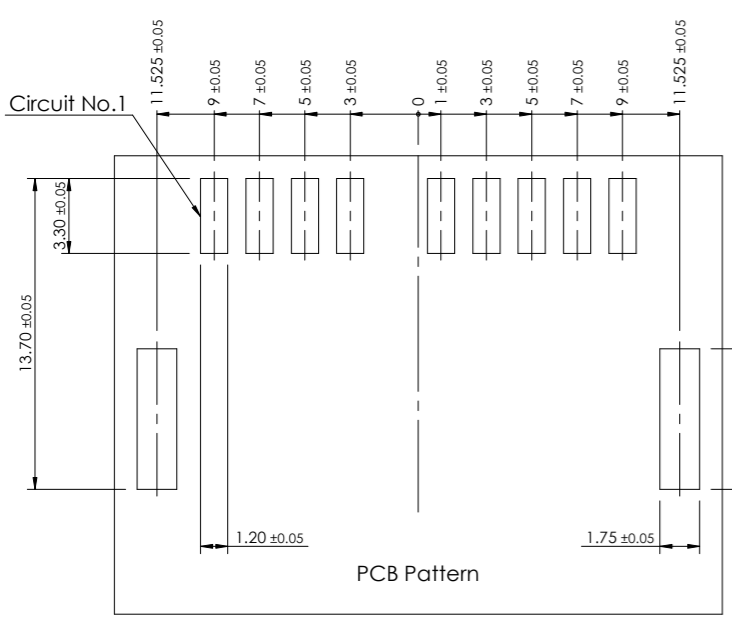
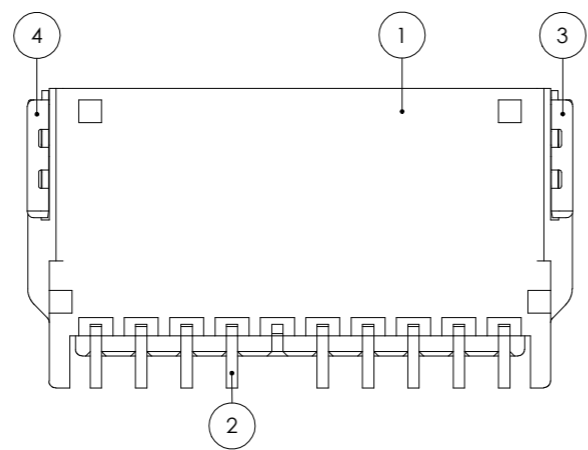
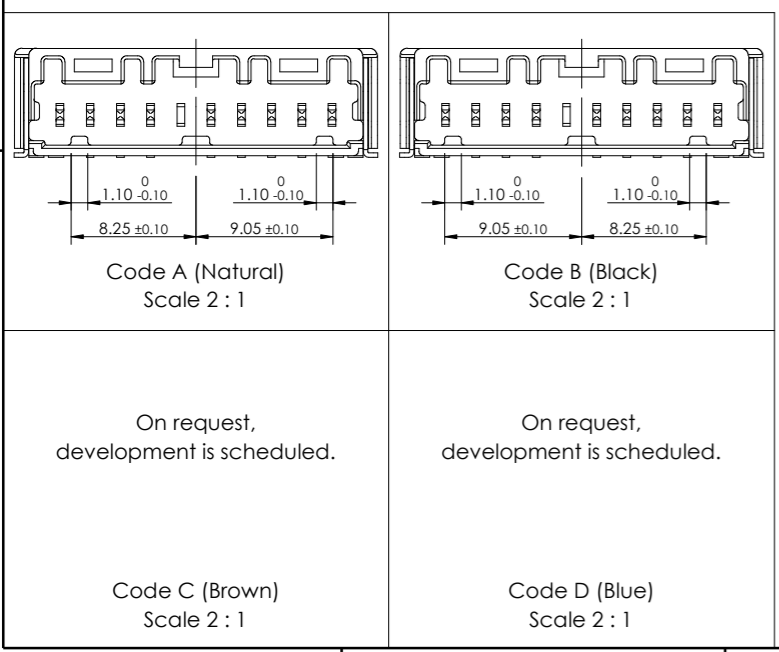


REV	REVISION RECORD	DATE	DRWN	CHKD	APVD
A	RELEASED (RD-2020-100)	08 JUL '20	JK	KH	CY
B	RELEASED (RD-2020-137)	20 OCT '20	JK	KH	CY



Description	Part No.	Code
020_D_C_SMT_9M_H_ASSY_BL	-	D
020_D_C_SMT_9M_H_ASSY_BR	-	C
020_D_C_SMT_9M_H_ASSY_BK	KH1900041-21	B
020_D_C_SMT_9M_H_ASSY_NR	KH1900041-10	A



- Note-
- General tolerance : Refer to DIN 16742 TG5 specification.
 - Burr Max.0.3
 - No crack
 - All letters shall be clear and legible.
 - Measuring the dimensions of Tab TML and Solder Peg.
 - Finish Tab TML and Solder Peg
 - Sn plating 2.5~4.0µm (matte) over Ni 1.0~2.0µm
 - Packing : Emboss tape
 - Flammability : UL94-HB
 - Vacuum grip area free of burr and factor pins, Max.Ø8.0
 - Matching part
 - KH1900023 (020_D_C_9F_ASSY)

No.	Description	Material	Finish / Color	Q'ty
4	020 SMT Solder Peg HZT-L	Copper alloy	Post-Sn	1 1 1 1
3	020 SMT Solder Peg HZT-R	Copper alloy	Post-Sn	1 1 1 1
2	020 SMT Tab TML HZT	Copper alloy	Post-Sn	9 9 9 9
1	020_D_SMT_10M_H_HSG_BL	PA9T-GF30	Blue	1 - - -
	020_D_SMT_10M_H_HSG_BR	PA9T-GF30	Brown	- 1 - -
	020_D_SMT_10M_H_HSG_BK	PA9T-GF30	Black	- - 1 -
	020_D_SMT_10M_H_HSG_NR	PA9T-GF30	Natural	- - - 1

DRWN JK. HWANG	CHKD KH. PARK	APVD CY. CHOI	NAME 020_D_C_SMT_9M_H_ASSY			
MATERIAL SEE TABLE			CUSTOMER DRAWING KH1900041			
FINISH/COLOR SEE TABLE			LOC	RESTRICTED TO	SIZE A3	SCALE 3:1
WEIGHT			SHEET 1 of 1	REV B		