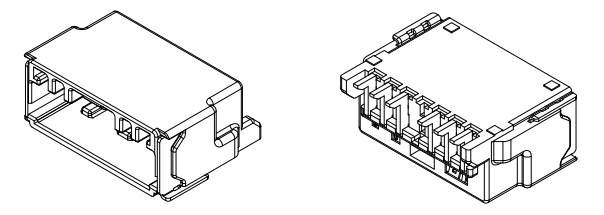
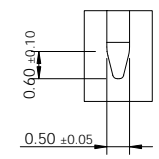
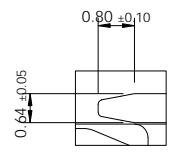
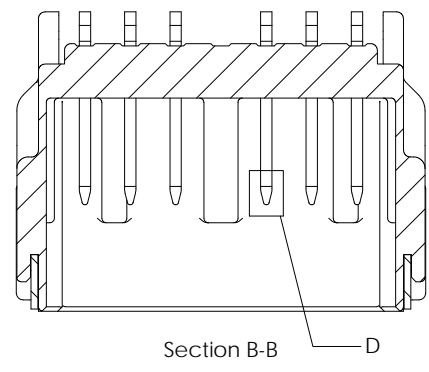
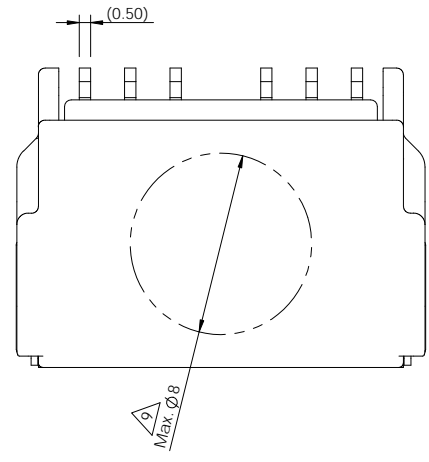
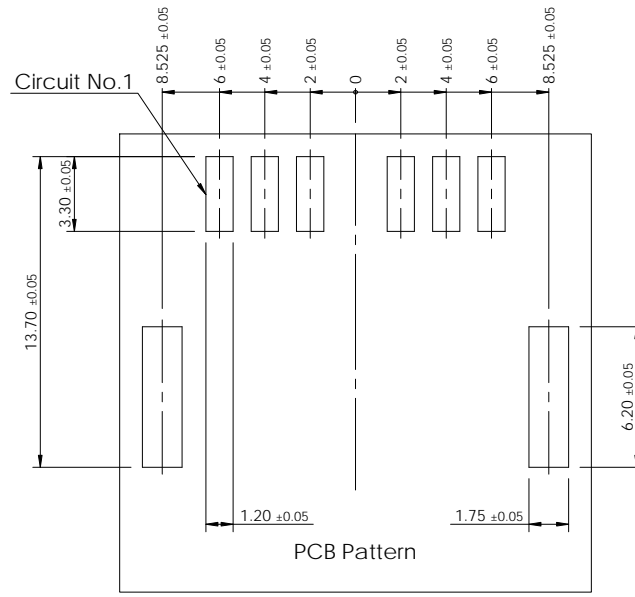
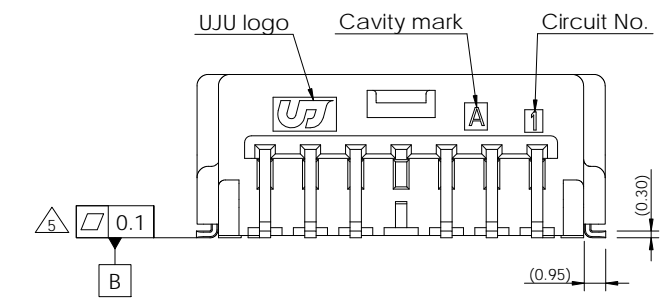
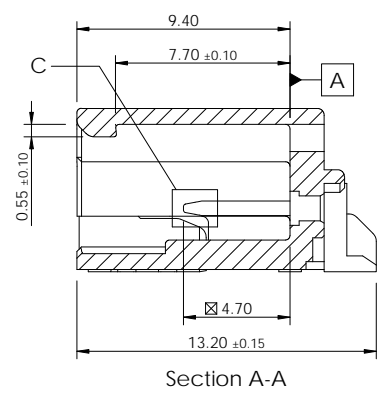
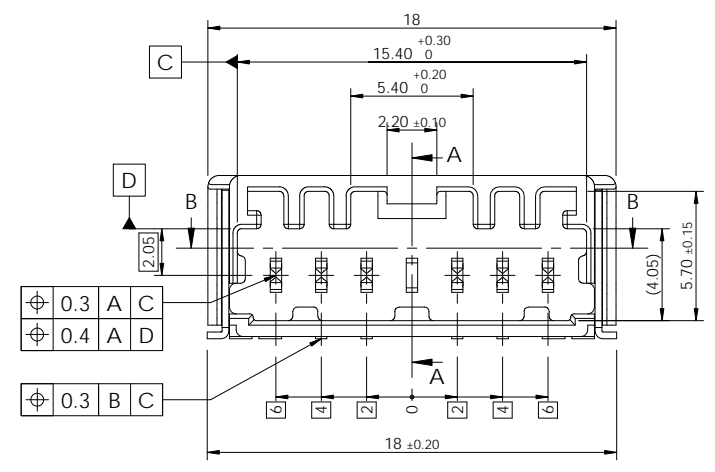
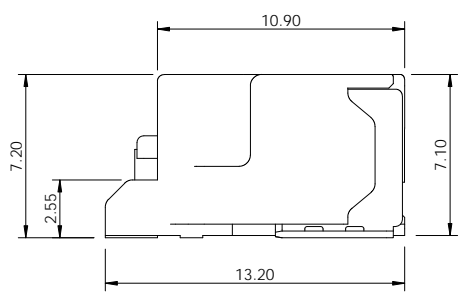


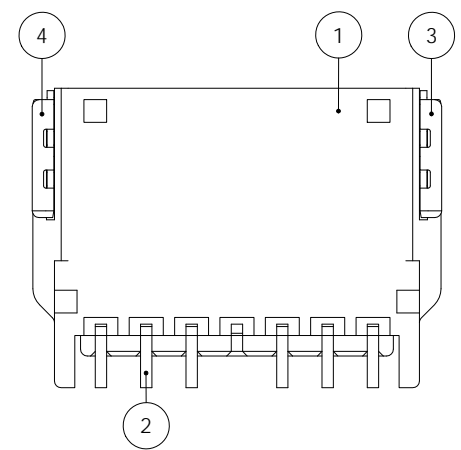
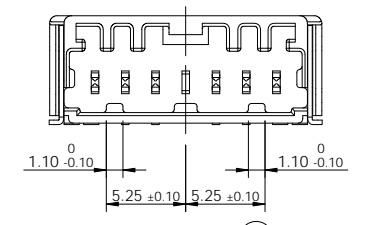
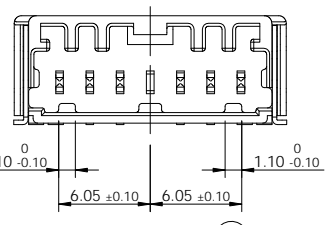
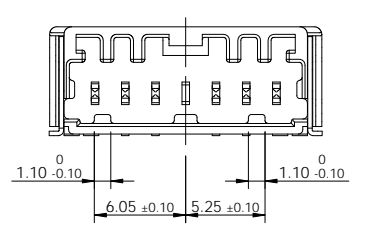
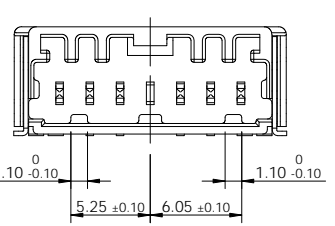
REV	REVISION RECORD	DATE	DRWN	CHKD	APVD
A	RELEASED (RD-2020-100)	08 JUL '20	JK	KH	CY
B	CHANGED (RD-2020-137)	20 OCT '20	JK	KH	CY
C	CHANGED (RD-2022-138)	07 NOV '22	JK	SJ	CY



3D View



Code	Part No.	Description
D	KH1900039-83	020_D_C_SMT_6M_H_ASSY_BL
C	KH1900039-42	020_D_C_SMT_6M_H_ASSY_BR
B	KH1900039-21	020_D_C_SMT_6M_H_ASSY_BK
A	KH1900039-10	020_D_C_SMT_6M_H_ASSY_NR



-Note-

- General tolerance : Refer to DIN 16742 TG5 specification.
- Burr Max.0.3
- No crack
- All letters shall be clear and legible.
- Measuring the dimensions of Tab TML and Solder Peg.
- Finish Tab TML and Solder Peg
 - Sn plating 2.5~4.0µm (matte) over Ni 1.0~2.0µm
- Packing : Emboss tape
- Flammability : UL94-HB
- Vacum grip area free of burr and factor pins, Max.Ø8.0
- Matching part
 - KH1900019 (020_D_C_6F_ASSY)

No.	Description	Material	Finish / Color	Q'ty
4	020 SMT Solder Peg HZT-L	Copper alloy	Post-Sn	1 1 1 1
3	020 SMT Solder Peg HZT-R	Copper alloy	Post-Sn	1 1 1 1
2	020 SMT Tab TML HZT	Copper alloy	Post-Sn	6 6 6 6
1	020_D_SMT_7M_H_HSG_BL	PA9T-GF30	Blue	1 - - -
	020_D_SMT_7M_H_HSG_BR	PA9T-GF30	Brown	- 1 - -
	020_D_SMT_7M_H_HSG_BK	PA9T-GF30	Black	- - 1 -
	020_D_SMT_7M_H_HSG_NR	PA9T-GF30	Natural	- - - 1

TOLERANCES UNLESS OTHERWISE SPECIFIED

0	±
0.0	±
0.00	±
0.000	±
0.0000	±
ANGLES	±

UNIT: MM
THIRD ANGLE PROJECTION

DRWN JK. HWANG
CHKD SJ. LEE
APVD CY. CHOI

NAME: 020_D_C_SMT_6M_H_ASSY

CUSTOMER DRAWING: KH1900039

LOC RESTRICTED TO: A3
SCALE: 3:1
SHEET: 1 of 1
REV: C