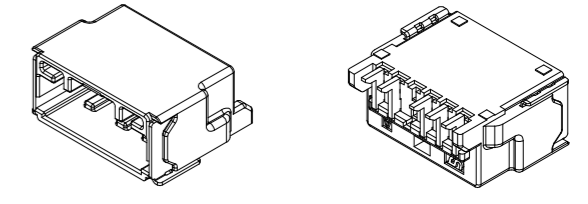
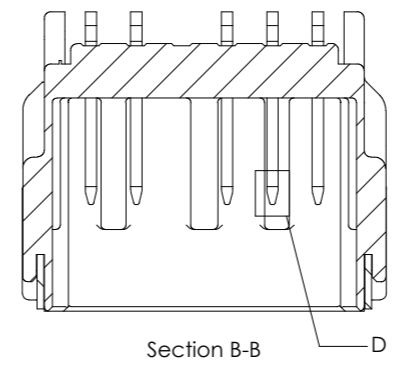
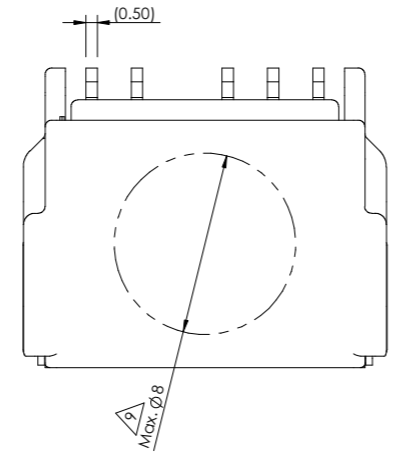
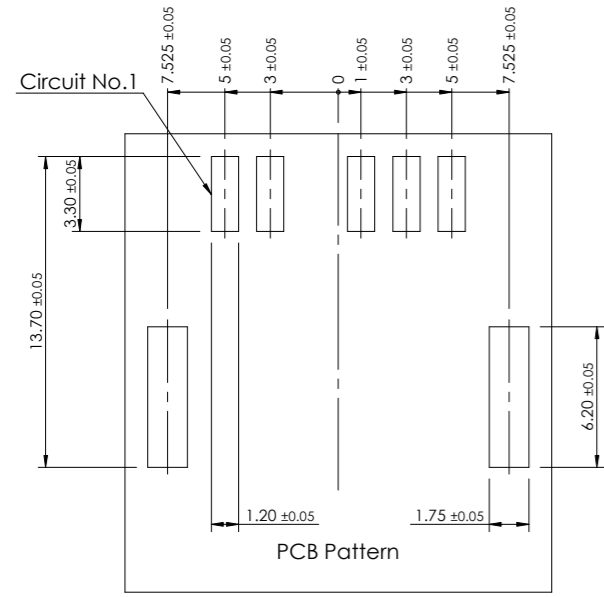
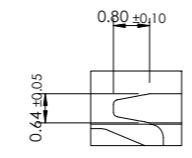


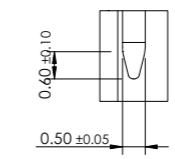
REV	REVISION RECORD	DATE	DRWN	CHKD	APVD
A	RELEASED (RD-2020-100)	08 JUL '20	JK	KH	CY
B	RELEASED (RD-2020-137)	20 OCT '20	JK	KH	CY



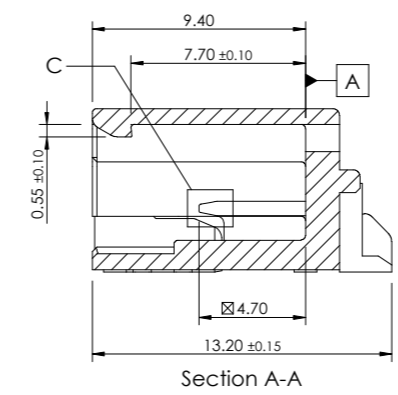
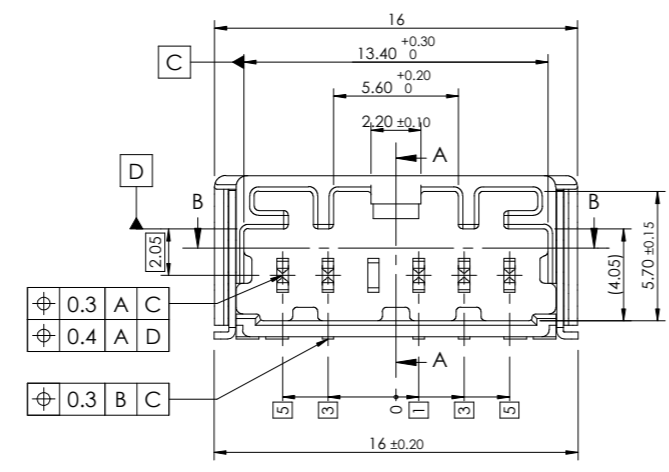
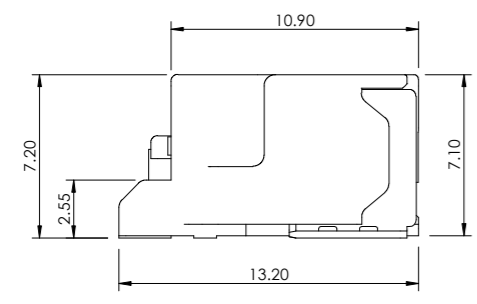
3D View



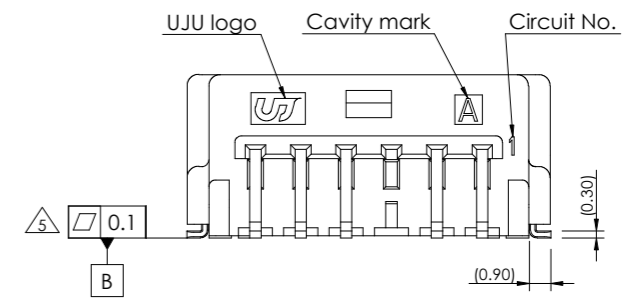
Detail C  
Scale 6 : 1



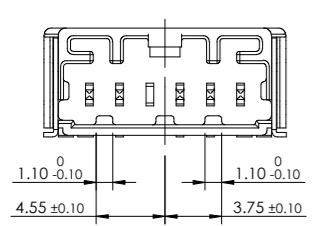
Detail D  
Scale 6 : 1



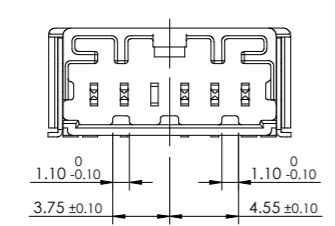
Section A-A



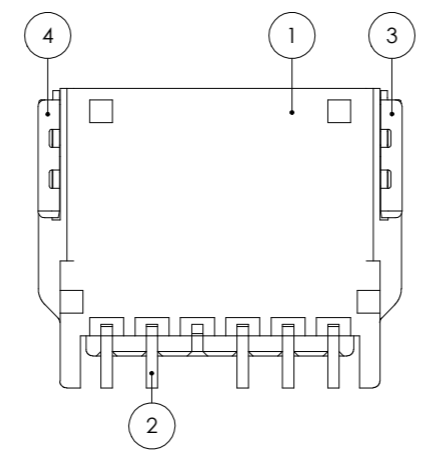
Code	Part No.	Description
D	-	020_D_C_SMT_5M_H_ASSY_BL
C	-	020_D_C_SMT_5M_H_ASSY_BR
B	KH1900038-21	020_D_C_SMT_5M_H_ASSY_BK
A	KH1900038-10	020_D_C_SMT_5M_H_ASSY_NR



Code A (Natural)  
Scale 2 : 1



Code B (Black)  
Scale 2 : 1



-Note-

- General tolerance : Refer to DIN 16742 TG5 specification.
- Burr Max.0.3
- No crack
- All letters shall be clear and legible.
- Measuring the dimensions of Tab TML and Solder Peg.
- Finish Tab TML and Solder Peg  
- Sn plating 2.5~4.0µm (matte) over Ni 1.0~2.0µm
- Packing : Emboss tape
- Flammability : UL94-HB
- Vacuum grip area free of burr and factor pins, Max.Ø8.0
- Matching part  
- KH1900017 (020\_D\_C\_5F\_ASSY)

No.	Description	Material	Finish / Color	Q'ty
4	020 SMT Solder Peg HZT-L	Copper alloy	Post-Sn	1 1 1 1
3	020 SMT Solder Peg HZT-R	Copper alloy	Post-Sn	1 1 1 1
2	020 SMT Tab TML HZT	Copper alloy	Post-Sn	5 5 5 5
1	020_D_SMT_6M_H_HSG_BL	PA9T-GF30	Blue	1 - - -
	020_D_SMT_6M_H_HSG_BR	PA9T-GF30	Brown	- 1 - -
	020_D_SMT_6M_H_HSG_BK	PA9T-GF30	Black	- - 1 -
	020_D_SMT_6M_H_HSG_NR	PA9T-GF30	Natural	- - - 1

On request,  
development is scheduled.

On request,  
development is scheduled.

Code C (Brown)  
Scale 2 : 1

Code D (Blue)  
Scale 2 : 1

TOLERANCES UNLESS OTHERWISE SPECIFIED	UNIT MM
0 ±	THIRD ANGLE PROJECTION
0.0 ±	
0.00 ±	
0.000 ±	
0.0000 ±	
ANGLES ±	
PRODUCT SPEC	APPLICATION SPEC

DRWN JK. HWANG	CHKD KH. PARK	APVD CY. CHOI	NAME 020_D_C_SMT_5M_H_ASSY			
MATERIAL SEE TABLE			CUSTOMER DRAWING KH1900038			
FINISH/COLOR SEE TABLE			LOC	RESTRICTED TO	SIZE A3	SCALE 3:1
WEIGHT			SHEET 1 of 1	REV B		